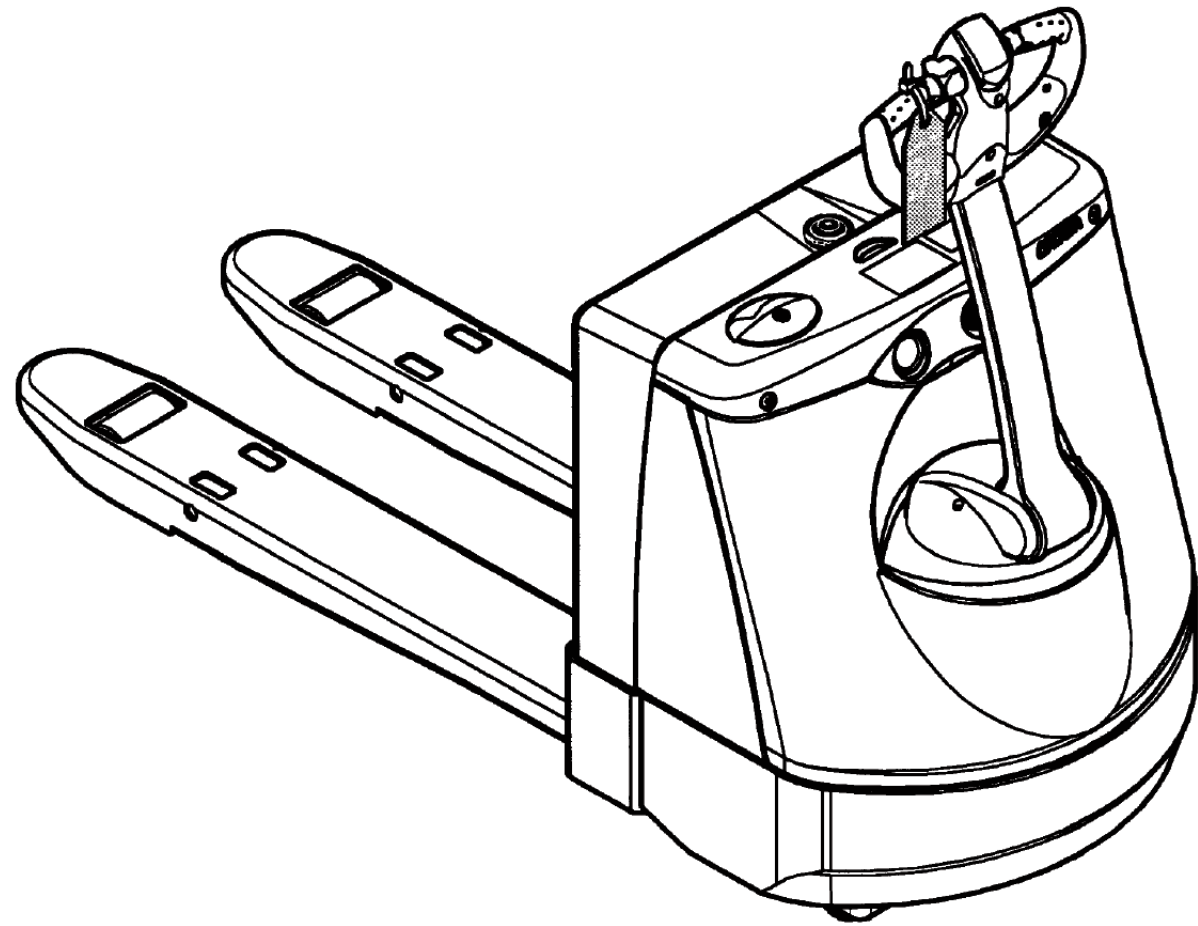


# Replacement Parts for Crown WP 2000 Series





## Truck Data Nomenclature

**WP 2 0 45 - 45**

**Capacity**  
 45 = 4500 lb. (2040kg)

**Relative Size or Performance**  
 30 = 7.8 in. (200mm) battery compartment  
 35 = 7.8 in. (200mm) battery compartment with trailer package  
 40 = 9.0 in. (230mm) battery compartment  
 45 = 9.0 in. (230mm) battery compartment with trailer package

**Series Update**  
 Significant change(s) to the product that would not merit a new series number (generation)

**Series**  
 Major technical and design changes making the product a new and improved generation

**Image Generator**  
 WP - Walkie Pallet

## Contents

Quick Wheel Lookup	4
<b>Electrical</b>	
Battery Tray and Charger	6
Power Unit Electrical	8
Instrument Panel	10
<b>Drive Unit</b>	
Drive Unit	12
Drive Motor, Brake, Contactor	14
Control Handle	16
Knuckle	18
<b>Control Pod</b>	20
<b>Frame and Undercarriage</b>	22
<b>Caster Assembly</b>	24

### Quick Wheel Lookup

### Quick Wheel Lookup

OEM #	Wheel Type	Manuf.	Part #	Description	Wheel OD in/mm	Tread Width in/mm	Hub Width in/mm	Hub ID in/mm	Bearing OD in/mm	Bearing #	Material/Color
CR 123603	Load Wheel	Generic	GW 9144	Poly Load Wheel (95A)	3.250 / 83	4.500 / 114	4.500 / 114	2.125 / 54	1.181 / 30	BS60062RS	Scotch, 95-A
CR 123603-A	Load Wheel Assy	Generic	GW 9144-A	Poly Load Wheel Assy 95A, incl. Bearings	3.250 / 83	4.500 / 114	4.500 / 114	2.125 / 54	1.181 / 30	BS60062RS	Scotch, 95-A
CR 127251	Drive Tire	Superior	SU 10x4x6.5-SF-P	Drive Tire-Smooth Black, Rubber	10.00 / 254	4.00 / 102	4.00 / 102	6.50 / 165			Rubber, Black
CR 127248-001	Drive Tire Assy	Superior	CR 127248-001	Drive Tire-Rubber, incl. Hub	10.00 / 254	4.00 / 102	4.00 / 102	6.50 / 165			Rubber, Black
CR 75715-010	Drive Tire	Superior	CR 75715-010	Drive Tire-Poly (95A)	10.00 / 254	4.00 / 102	4.00 / 102	6.50 / 165			Poly, Maroon 95A
CR 127249	Drive Tire Assy	Superior	CR 127249	Drive Tire-Poly (95A)	10.00 / 254	4.00 / 102	4.00 / 102	6.50 / 165			Poly, Maroon 95A
CR 127250	Hub	Generic	CR 127250	Drive Tire-Hub	10.00 / 254						
CR 805888-010	Caster Wheel	Generic	GW 9166-A	Caster Wheel Assembly, incl. Bearings	3.500 / 89	1.75 / 45	2.00 / 51	1.85 / 47			Scotch, 95-A

**CR 123603**  
Load wheel  
Poly Hy Load (95A)



**CR 127251**  
Drive tire  
smooth black rubber



**CR 75715-010**  
Drive tire, Poly 95A



**CR 127250**  
Tire hub



**CR 123603-A**  
Load Wheel assembly Poly 95A  
includes bearings, washers



**CR 127248-001**  
Drive tire assembly, rubber  
includes hub



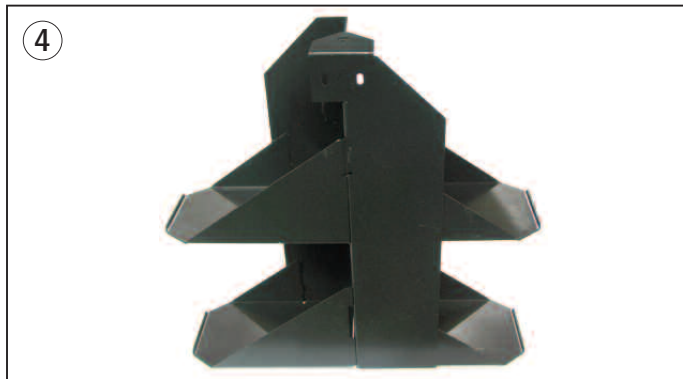
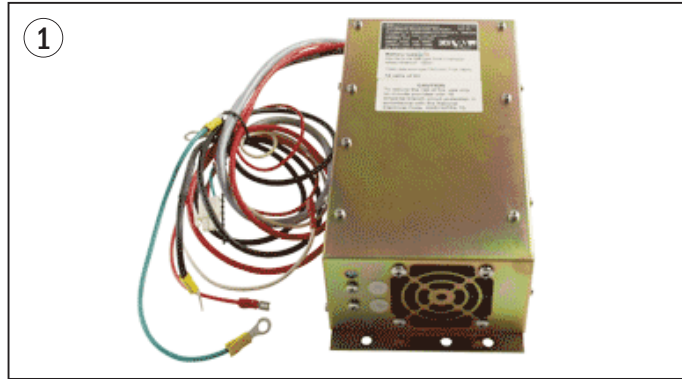
**CR 127249**  
Drive tire assembly, Poly  
includes hub



**CR 805888-010**  
Caster wheel assembly  
includes bearings and washers



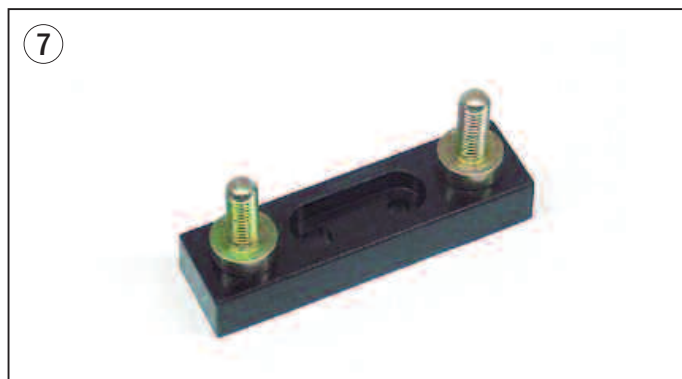
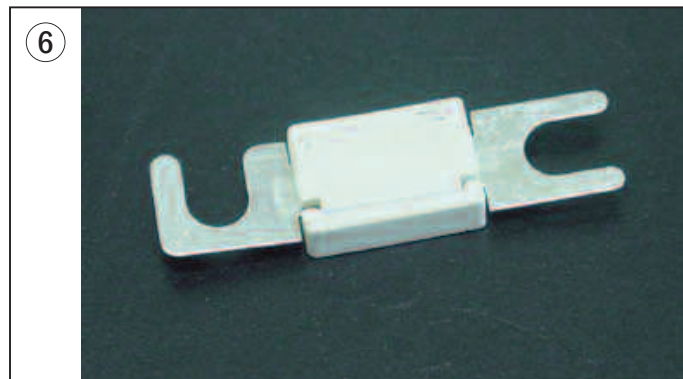
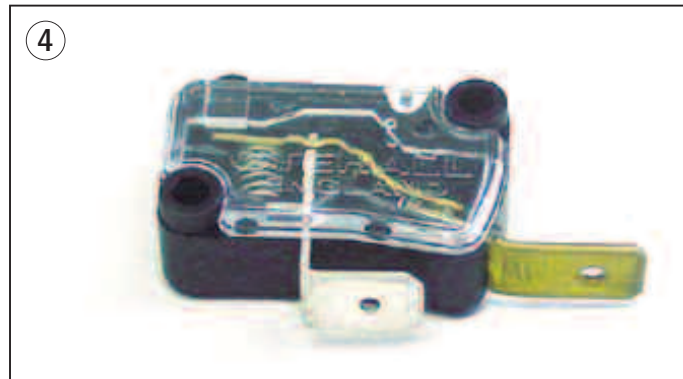
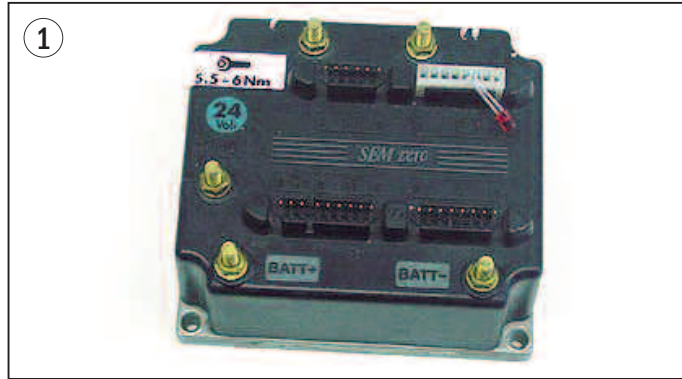
**Electrical - Battery Tray and Charger**



**Electrical - Battery Tray and Charger**

Item	Part No.	Description
1	CR 127455	Charger 120V 60 Hz
2	CR 127537	Charger Cord, AC Jumper
3	CR 808172	Cover assembly, incl. item 4
4	CR 807729	Battery tray assembly
5	CR 808278	Battery tray assembly, swing out (not shown)
6	CR 78723-002	Battery connector, gray, incl. contacts
7	CR 045239-001-03	Disconnect handle, upper
8	CR 045239-002	Disconnect handle, lower

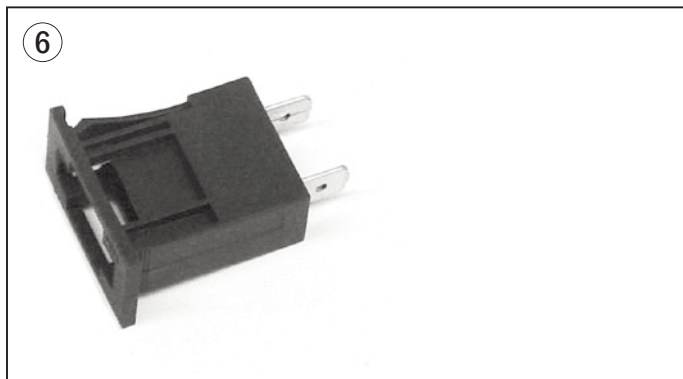
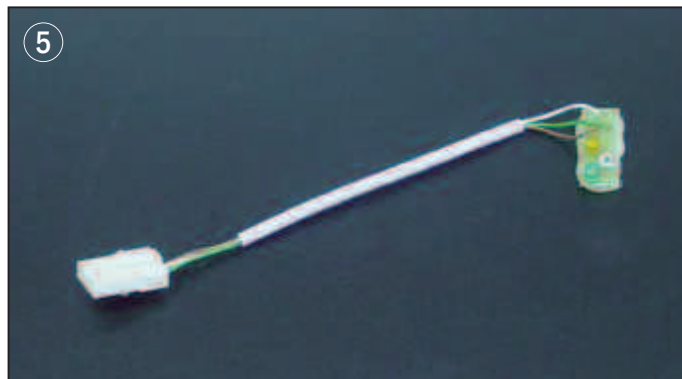
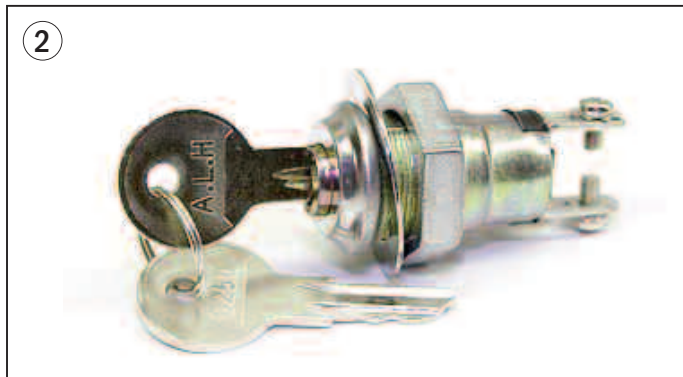
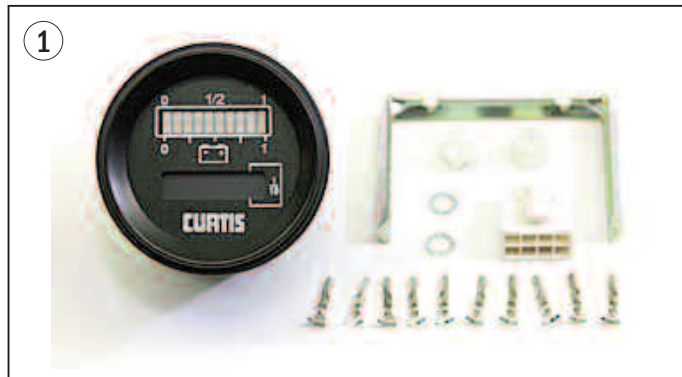
**Electrical - Power Unit**



**Electrical - Power Unit**

Item	Part No.	Description
1	CR 805780-002-R	Controller (rebuilt)
2	CR 802820	Contactora, 24V
3	CR 078708-002	Horn
4	CR 805864	Micro switch (LMS)
	CR 808032	Micro switch (LMS) F/C (not shown)
5	CR 803310	Switch actuator
6	CR 802816-005	Fuse, 125 Amp (FU1)
7	CR 805824	Fuse holder

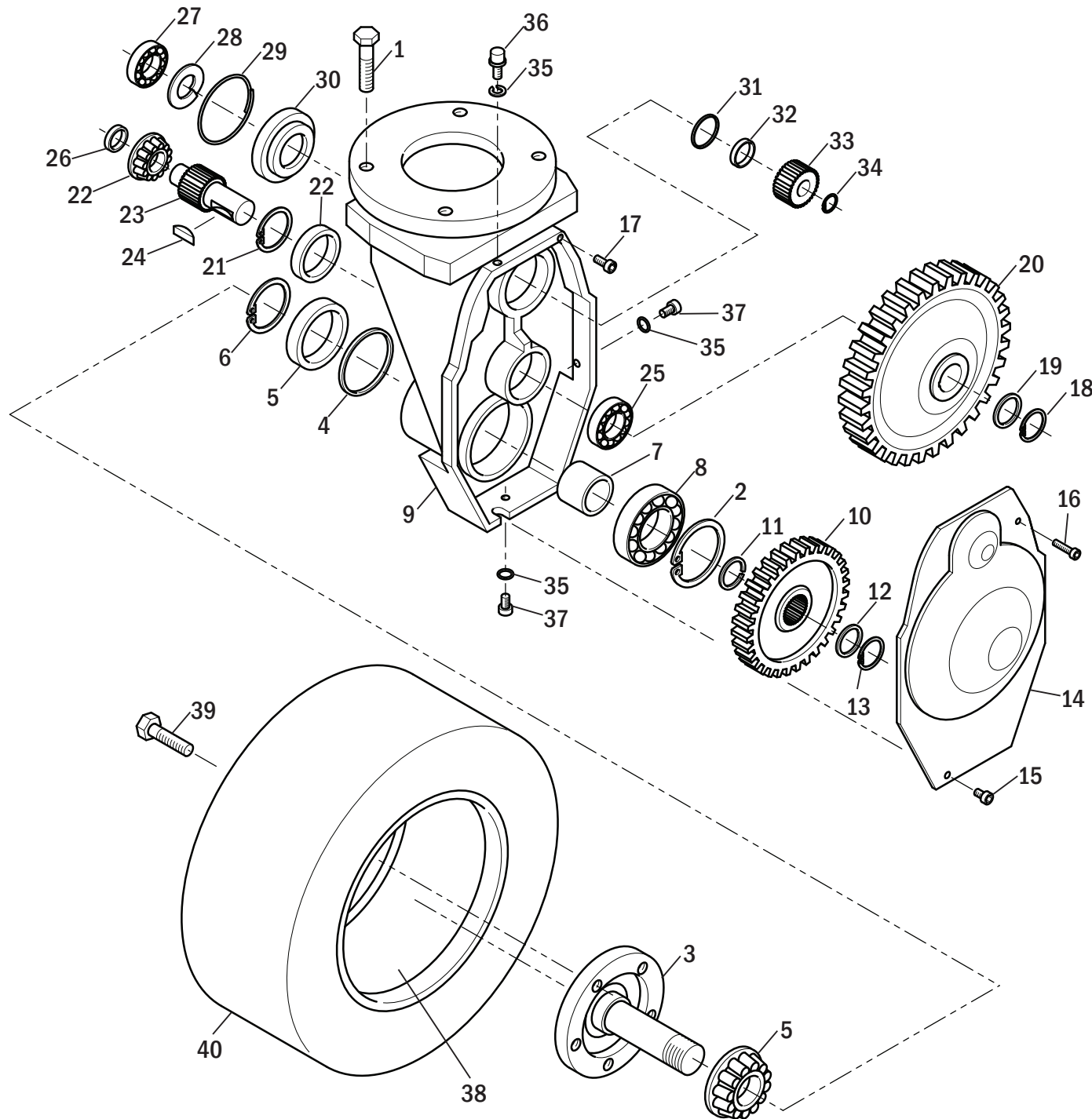
### Electrical - Instrument Panel



### Electrical - Instrument Panel

Item	Part No.	Description	Application
1	CR 802833	Unigauge	
	CR 113773-006	Hour meter (not shown)	
	CR 106288	Battery discharge meter (not shown)	
	CR 126238-002	Battery discharge meter for MFB (not shown)	
2	CR 072708	Key switch, Inc. 2 keys, ring & nut	
3	CR 077633	Toggle Switch, Inc.nut	
4	CR 120127	Flange inlet, AC	
5	CR 810562	Charger LED	
6	CR 805752	Fuse holder	
	CR 805751-001	Fuse 10A (FU2)	
	CR 805751-002	Fuse, 2A (FU3) (not shown)	
7	CR 805892	Thermostat, F/C	
8	CR 045271-004	Cover, unit with battery charger	
	CR 045271-001	Cover, unit w/o battery charger (not shown)	

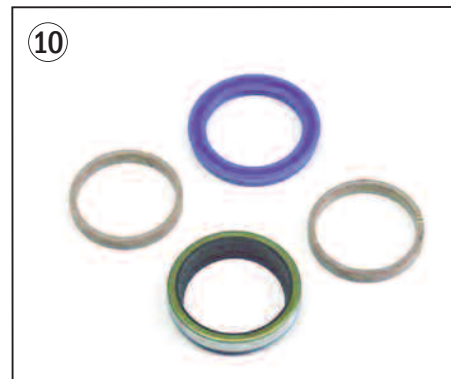
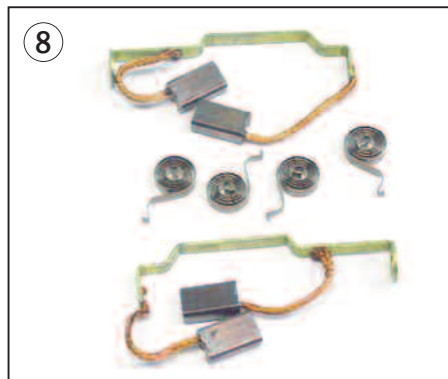
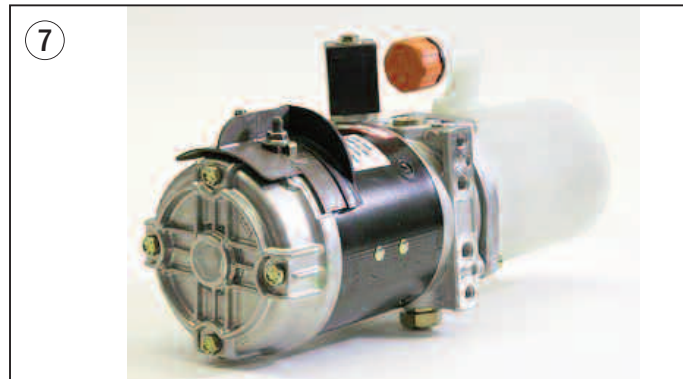
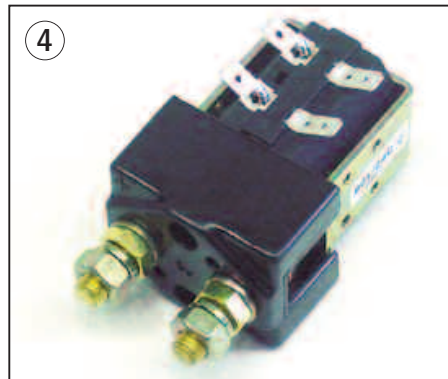
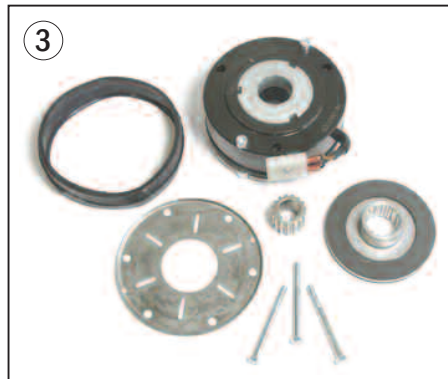
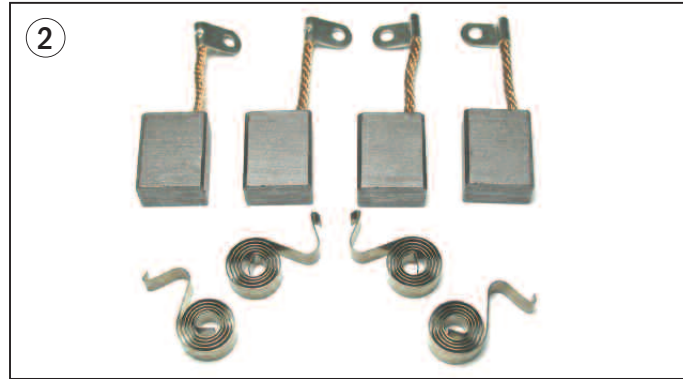
Drive Unit



Drive Unit

Item	Part No.	Description
1	CR 050005-037	Screw
2	CR 805112-006	Retaining ring
3	CR 805100	Wheel shaft
4	CR 805110-001	Seal
5	CR 805111-001	Ball bearing
6	CR 805112-001	Retaining ring
7	CR 805113-001	Bushing
8	CR 805111-002	Bearing
9	CR 805101	Housing
10	CR 805102	Gear
11	CR 805114-001	Shim
12	CR 805114-002	Shim
13	CR 805112-002	Retaining ring
14	CR 805103	Gear box
15	CR 805115-001	Screw
16	CR 805115-002	Screw
17	CR 805115-003	Screw
18	CR 805112-003	Retaining ring
19	CR 805116-001	Washer
20	CR 805104	Gear
21	CR 805112-004	Retaining ring
22	CR 805111-003	Bearing
23	CR 805105	Pinion
24	CR 805106	Key
25	CR 805111-004	Bearing
26	CR 805107	Cap
27	CR 805111-005	Bearing
28	CR 805116-002	Washer
29	CR 805117	O-ring
30	CR 805113-002	Bushing
31	CR 805110-002	Seal
32	CR 805118	Ring
33	CR 805108	Pinion
34	CR 805112-005	Retaining ring
35	CR 805110-003	Seal
	CR 805109	Breather
37	CR 805115-004	Screw
38	CR 127250	Hub
39	CR 050074-002	Lug bolt
40	CR 127251-001	Drive tire, rubber
	CR 075715-010-01	Drive tire, poly

### Drive Motor, Brake and Contactor



### Drive Motor, Brake and Contactor

Item	Part No.	Description
1	CR 805839-R	Traction motor (rebuilt)
2	CR 128092	Brush Kit, incl. 4 brushes & 4 springs
3	CR 807102	Brake assembly
4	CR 802820	Contacteur (pump & line)
5	CR 803689	Fixed contact
6	CR 803690	Movable contact
7	CR 805770-001	Pump and motor assembly
8	CR 128091	Brush & spring kit
9	CR 805600	Lift cylinder assembly
10	CR 128093	Seal kit

### Control Handle

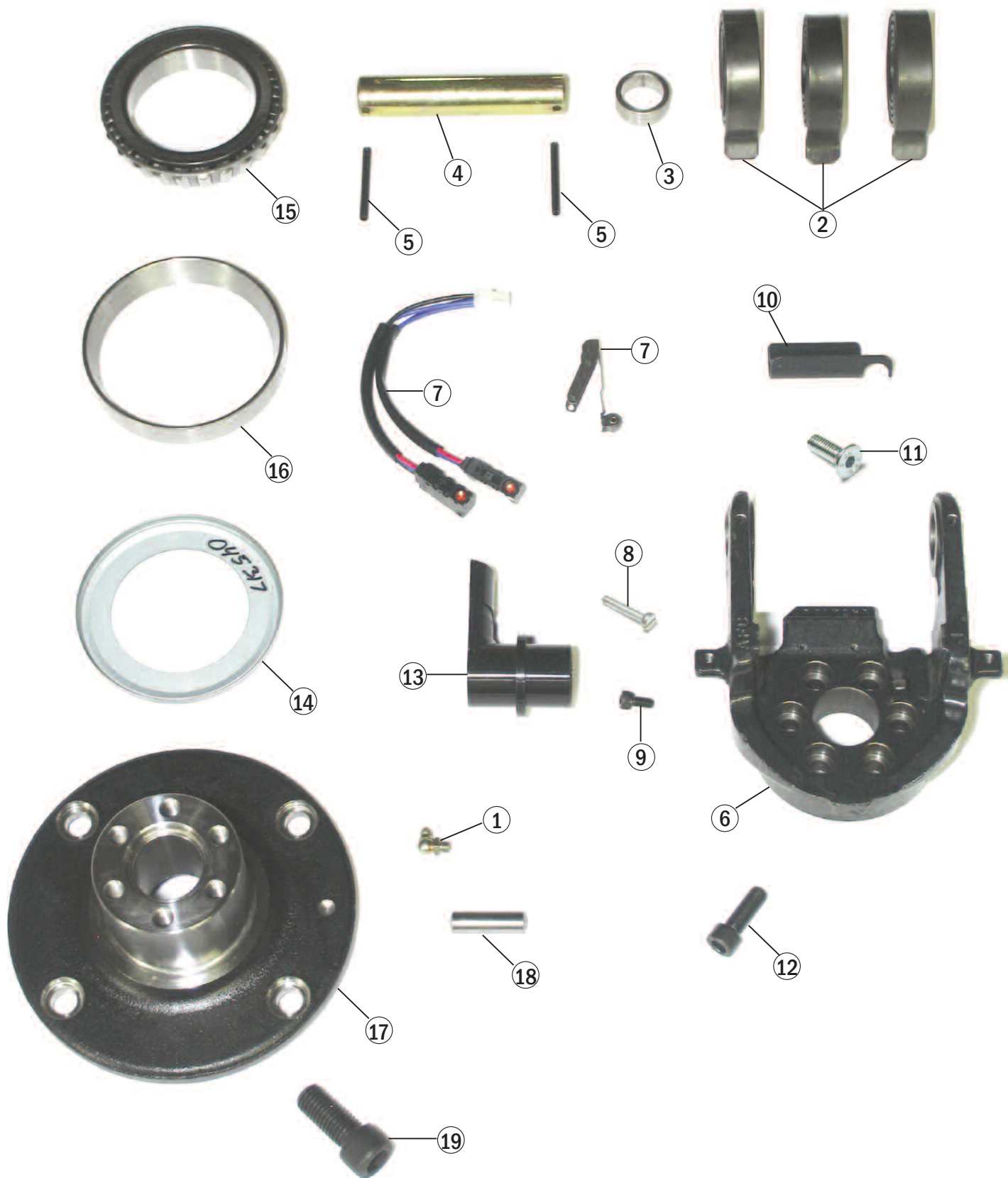


### Control Handle

Item	Part No.	Description
1	CR 804937	Grip
2	CR 050005-087	Screw
3	CR 050005-054	Screw
4	CR 050005-066	Screw
5	CR 045322	Handle arm
6	CR 051058-001	Bushing
7	CR 803348	Stop
8	CR 050004-010	Screw
9	CR 803918	Switch assembly
10	CR 050004-001	Screw
11	CR 050005-010	Screw
12	CR 051057-001	Spring
13	CR 803469-002	Screw
14	CR 803330	Guide plate
15	CR 803325	Bellow
16	CR 802852	Button
17	CR 805867-001	Wiring harness assembly
18	CR 805832	Cable holder
19	CR 050004-038	Screw

**Crown WP 2000 Series**

**Knuckle**

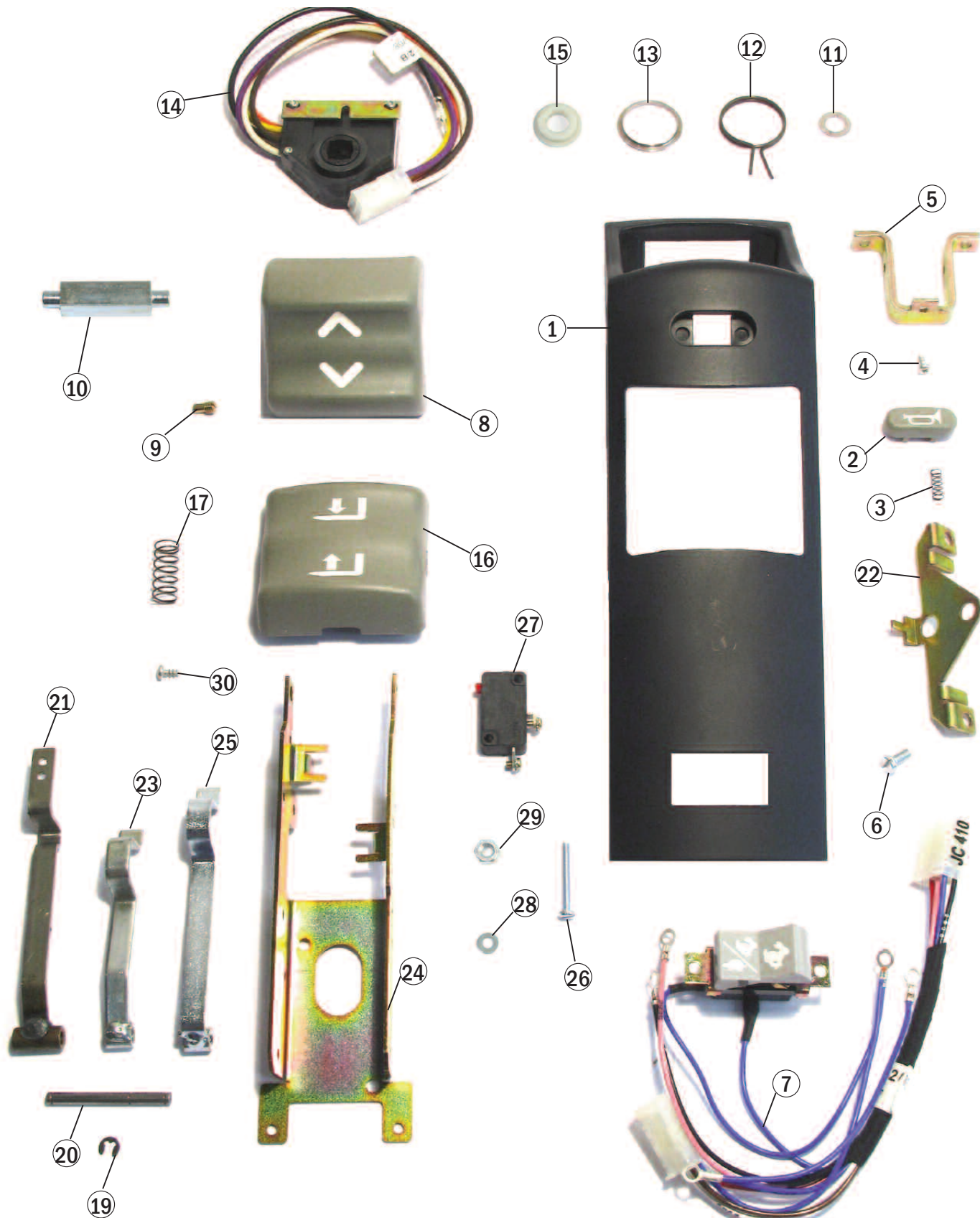


**Crown WP 2000 Series**

**Knuckle**

Item	Part No.	Description
1	CR 054011-006	Fitting
2	CR 803013	Spring
3	CR 803353	Spacer
4	CR 805760	Shaft
5	CR 050000-015	Roll Pin
6	CR 045215	Knuckle
7	CR 805859 CR 803310	Switch Actuator
8	CR 050004-032	Screw
9	CR 050005-061	Screw
10	CR 805738	Damper sheet
11	CR 050003-010	Screw
12	CR 050005-032	Screw
13	CR 045234	Cable protector
14	CR 045317	Seal metallic
15	CR 045319	Bearing
16	CR 045318	Bearing outer race
17	CR 045222	Flange
18	CR 050052-004	Pin
19	CR 050005-037	Screw

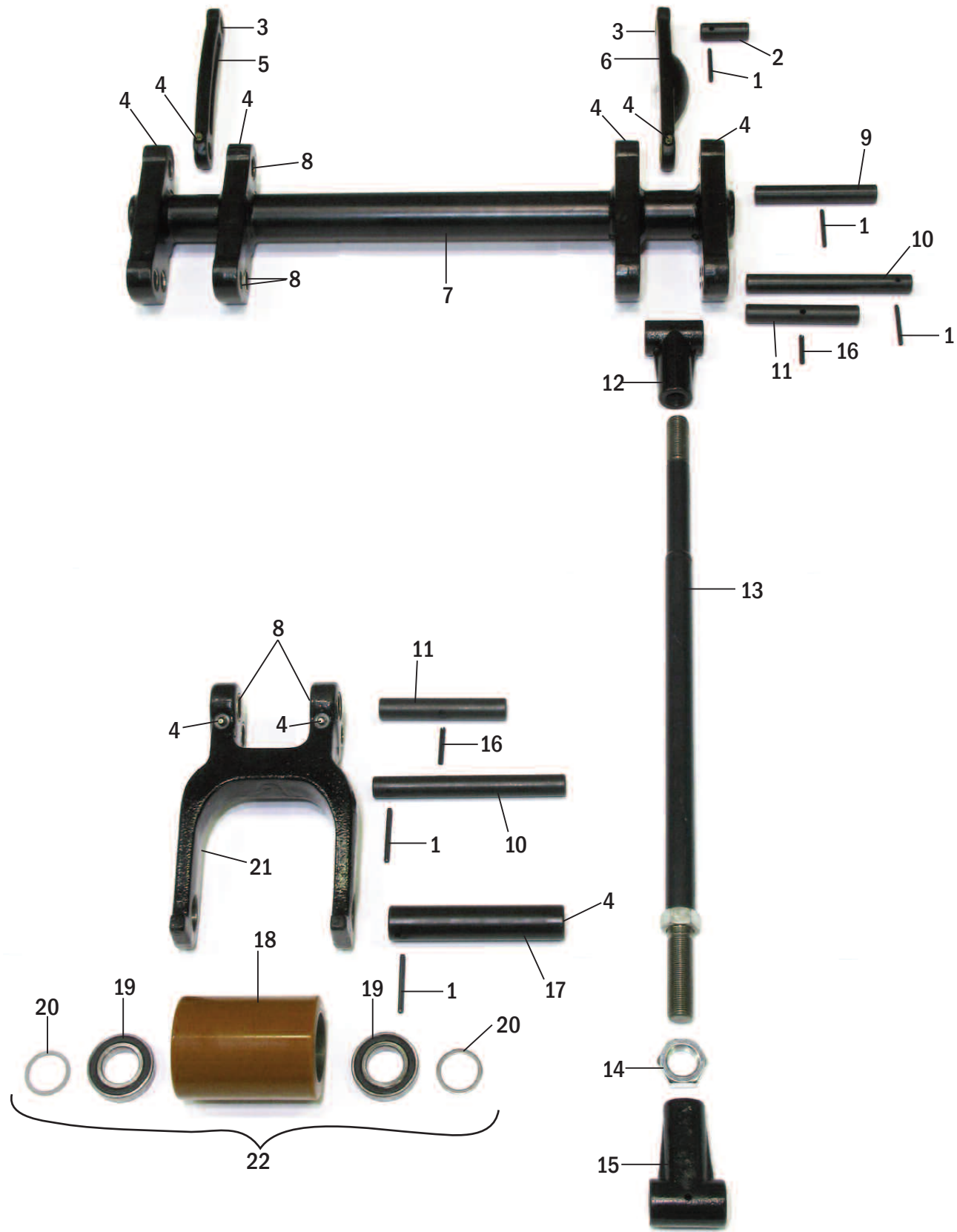
Control Pod



Control Pod

Item	Part No.	Description
1	CR 807949-001	Control pod
2	CR 802855	Button, horn
3	CR 051057-002	Spring
4	CR 803469-003	Screw
5	CR 803347	Holder
6	CR 050004-024	Screw
7	CR 805857	Switch assembly
8	CR 804357	Forward/reverse button
9	CR 803392	Adjusting pin
10	CR 117258	Shaft
11	CR 050009-017	Washer
12	CR 803393	Spring
13	CR 803391	Washer
14	CR 805672	Potentiometer assembly
15	CR 803390	Washer
16	CR 802856	Raise/lower button
17	CR 051057-003	Spring
18	CR 803340	Pin (not shown)
19	CR 050012-031	Retaining ring
20	CR 803341	Pin
21	CR 803337	Actuator horn
22	CR 805607	Console
23	CR 803333	Upper actuator
24	CR 805869-001	Bracket switch
25	CR 803335	Lower actuator
26	CR 050004-032	Screw
27	CR 089362	Raise/lower switch
28	CR 050009-001	Washer
29	CR 050008-004	Nut
30	CR 050004-005	Screw
31	CR 805868-009	Control pod assembly (not shown)

### Frame and Undercarriage



### Frame and Undercarriage

Item	Part No.	Description	Application
1	CR 050000-015	Roll pin	
2	CR 045433	Shaft	
3	CR 055084-008	Bushing	
4	CR 054011-006	Lube fitting	
5	CR 805761-002	Upper link assembly, w/bushings (R.H.)	
6	CR 805754-002	Upper link assembly, w/bushings (L.H.)	
7	CR 805773-002-04	Lower link assembly (27") (Fork spread 7)	
8	CR 055084-009	Bushing	
9	CR 807097	Shaft	
10	CR 045224	Axle	
11	CR 045469	Axle	
12	CR 045292-001	Tension bar end (L.H.THD)	
13	CR 045482-002-06	Tension bar (48" forks) 7.8" battery comp.	
14	CR 060021-019	Nut	
15	CR 045292-002	Tension bar end (R.H.)	
16	CR 050000-017	Roll pin	
17	CR 045477	Axle	
18	CR 123603	Poly load wheel (95A)	
19	CR 065081-62	Bearing, rubber shield	
20	CR 060030-173	Washer	
21	CR 805920-002	Riser assembly, incl. items 4 and 8	
22	CR 123603-A	Load wheel assembly, incl. items 18, 19 and 20	

Skid Plate/Casters



Skid Plate/Casters

Item	Part No.	Description	Application
1	CR 808262	Skid plate	
2	CR 050067-043	Screw, skid plate	
3	CR 805888-010	Caster wheel assembly, incl. item 4	
4	CR 805888-012	Bearing	
5	CR 050000-047	Roll pin	
6	CR 805888-009	Wheel axle	
7	CR 805888-008	Pivot axle	
8	CR 805888-001	Caster Assembly	



**800-331-0839**

**Fax 800-366-5939**

**[www.GenericParts.com](http://www.GenericParts.com)**