
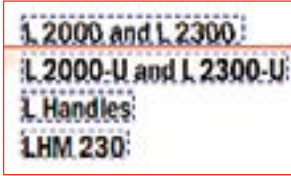




Welcome to the Generic Parts Lift Truck Parts Catalog!

New Interactive Features:

- 1.** GPS logo  is the home button and will bring you back to the "Contents" page from anywhere in the catalog.
- 2.** Click on the framed links on the "Contents" page to quickly jump to the desired section of the catalog. 
- 3.** Click on Lift Truck titles to go to the selected manufacturers drill down page. Quickly access pricing and availability from here. **Remember to enter your customer number for your pricing!**
- 4.** Click on Part photos (wheel kits, handles and hydraulic units) to go directly to the corresponding parts list on our website.
- 5.** Search by OEM part number or description using the "find feature." (Ctrl + F on PC; Command + F on Mac.)

www.GenericParts.com Order anytime online

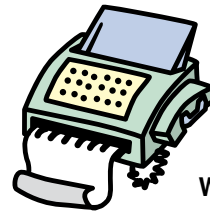


Online orders received by 3:00pm PST (6:00pm EST) Monday - Friday will be shipped the same day. Orders placed online receive 1% off the net price of the order.

24-Hour Fax Hotline

800-366-5939

503-646-3971



Fax orders received by 3:00pm PST (6:00pm EST) Monday - Friday will be confirmed and shipped the same day.



Telephone Orders

800-331-0839

503-646-4575

Knowledgeable Customer Service Representatives are available 6:00am to 4:30pm PST (9:00am to 7:30pm EST) Monday - Friday to help with your specific parts needs, or to place an order.



We're Open 24 Hours every Day at: www.GenericParts.com

Call us:

Mon - Fri: 6:00am - 4:30pm PST
(9:00am - 7:30pm EST)
Minimum Order: \$ 20.00
Handling Charge: \$ 5.00



Quick Reference



Order Form 4 & 268



Wheel Kits for
Manual Pallet Jacks 6
Scissor High Lifts 9



Load Roller Assemblies 10



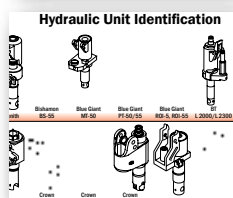
Steer Wheel Assemblies 16



Seal Kits 22



Hydraulic Units 26



Pallet Jack Identification 27



Tools 29

Manual Pallet Jacks

Orders and Returns		4 - 5
Atlas	Zenith (Type 9)	30 - 33
Bishamon	BS-55	34 - 37
Blue Giant	MT-50 PT-50 and PT-55 ROI-55, ROI-5 and MTS 2000	38 - 49
BT	L 2000 and L 2300 L 2000-U and L 2300-U L Handles LHM 230	50 - 61
Clark	CJ55	62 - 65
Crown	PTH PTH50	66 - 79
Dayton	3KR84	80 - 83
Eagleman	A	84 - 87
Global	334475	88 - 91
Hu-Lift	HP25L	92 - 95
Interthor	K77 and K85	96 - 99
Jet	A, L and J Jet W PTX and JTX PTW	100 - 115
Lift-Rite (Big Joe)	L-50 Including Low-Profile L-50 Mini and L-50 CHEP (4-way)	116 - 135
	L-55 CF and L30 LCM50, LCU50, LCM4W, LCU4W LCR55 LRP 5000 Titan Series	
Magnum (Intrupa)	5000	136 - 139
Mighty Lift	ML55 ML55-II and ML55L	140 - 147
Mobile	ML55 ML45 Mini and Miney MLX55 ECO I-55 ECO I-55 (Newer)	148 - 165
Multiton	TM and J M and S TM 55	166 - 181

Prices

For up-to-date prices
please log-in at
www.GenericParts.com or
call our Customer Service.



Wheel Kits for
Electric Pallet
Trucks 224



Electric
Quick Wheel
LookUp 226



Order Form 4 & 268

Manual Pallet Jacks

Pallet Mule (Wesley)	AA5000 and AA5500	182 - 185
Palletmaster	HSW	186 - 189
Pramac	GS22	190 - 193
Rol-Lift	Series T	194 - 201
Including 2.9 (Lowered Height) Series T and Series E	Series E	
Uline	H-1043, H-1193, H-1366 H-1484 H-2708, H-2900, H-3045	202 - 209
Valu-Jack	5500 & 6600 6600 Backrest & Brake 5500-2	210 - 219
Wesco	CPI	220 - 223

Electric Lift Trucks

Big Joe	WPT45	230 - 231
Crown	WP Series 2000, 2300, 3000 PE 4000, PE 4500	232 - 245
Hyster	W 40 XL/W 40 XT W 40 Z	246 - 249
Prime Mover	SMX45	250 - 251
Raymond	102 XM 8300, 8400, 8500 Series	252 - 259
Toyota	7HBW23	260 - 261
Yale	MP/MPB 040 AC MPB 040 E (B827) MPW 050 E (C802)	262 - 267
Order Form		4 & 268

Click here to view Valu-Jack Specifications



800-331-0839
 Fax: 800-366-5939

www.GenericParts.com

Order Form Replacement Parts

Page 1 of
 Date: _____

Fax Order Hotline: **800-366-5939**
 Parts Department: **800-331-0839**
 Order Online: **www.GenericParts.com**

FROM:
 Company _____
 Contact Name _____
 Phone # _____
 Account # _____
 P.O. # _____
 Fax # _____

SHIP THIS ORDER VIA:
 UPS Ground UPS 3rd Day UPS 2nd Day UPS Next Day
 Freight collect # _____ UPS FedEx (\$5 handling fee applied to all orders, incl. collect)
 Drop Ship: Company _____ Street Address _____
 City _____ State _____ Zip _____

If a part(s) is out of stock, should we: ship complete or ship partial?

If you would like to pay with credit card, please complete the following information.
 Visa Mastercard American Express Discover Account # _____ Exp. _____

Special Instructions _____

Brand	Part #	Description	Quantity



800-331-0839
 Fax: 800-366-5939

www.GenericParts.com

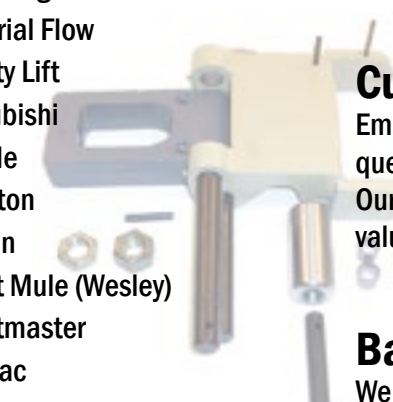
Products We Offer:

- Load Roller Assemblies
- Steer Wheel Assemblies
- Wheel Kits
- Seal Kits
- Mechanical Parts
- Hydraulic Units
- Electric Lift Truck Parts
- Pallet Jacks
- Fork Lift Jacks and Stands
- Industrial Seal Kits



Brands We Support:

- | | |
|---------------------|----------------------|
| Atlas | LPM |
| Bishamon | Magnum (Intrupa) |
| Blue Giant | Marco Tiger |
| Boman | Material Flow |
| BT | Mighty Lift |
| Bulli | Mitsubishi |
| Cat | Mobile |
| Central Hydraulics | Multiton |
| CFA | Nissan |
| Clark | Pallet Mule (Wesley) |
| Crown | Palletmaster |
| Dayton | Pramac |
| Doosan | Premier |
| Eagleman | Prime Mover |
| Ecoa | Raymond |
| ELP | Rol-Lift |
| Harbor Freight | TallyHo |
| Hu-Lift | Toyota |
| Hyster | U-Line |
| Interthor | Ultra |
| Jet | Valu-Jack |
| Jungheinrich | Valu-Lift |
| King | Wesco |
| Lift-Rite (Big Joe) | Win-Holt |
| Little Mule | Wrangler |
| Lo-Jo | Yale |
| Lo-Lift | and others |



Your One-Stop Shop - We make ordering Pallet Jack Parts easy!

The Most Comprehensive Catalog in the Industry

If you do not see what you need, send us an email to csinfo@genericparts.com or give us a call. We have the largest selection of pallet jack parts available anywhere.

Solid History of Meeting Customer Needs

Generic Parts Service, Inc. was founded in 1985 and continues to provide a unique service and product range to support the parts needs of pallet jack and lift truck users.

Customer Service

Email csinfo@genericparts.com or call us with any questions or suggestions. Our customer service reps are very knowledgeable and we value your feedback.

Backorder

We have a 98% fill rate, but if we ever have to backorder a part for you, we'll make sure you know about it the same day you place the order.

Return Policy

We recognize that sometimes parts need to be returned. Although we cannot accept the return of special order products, we do accept the return of our regularly stocked merchandise with \$25.00 or more in value. A 20% restocking charge will be deducted from your refund. Returns must be made within 90 days of receipt of the parts. To make a return, please call our Customer Service Center at (800) 331-0839 to obtain your RMA #. Only returns with an accompanying RMA # and the parts still in "like new" condition will be accepted. For information on returning your hydraulic core, please see page 24.

Special Order Policy

Special Order Parts cannot be canceled or returned.

Electric Lift Truck Parts:

For a complete listing visit our website.

Pre-Packaged Wheel Kits for Manual Pallet Jacks



• easy to install
• cost effective

Pallet Jack Load Wheel Kit



Includes:
(2) Ultra-Poly Load Wheel Assemblies (70D), with Bearings, Axles & Fasteners

Pallet Jack Complete Wheel Kit



Includes:
(2) Ultra-Poly Load Wheel Assemblies (70D), (2) Poly Steer Wheel Assemblies, with Bearings, Axles & Fasteners

Brand	Model	Item No.	Item No.
American Lifts	LM25	GWK-LM25-LW	GWK-LM25-CK
Atlas	Zenith 9 EZ EZV	GWK-ATZ-LW GWK-EZ-LW GWK-EZV-LW	GWK-ATZ-CK GWK-EZ-CK GWK-EZ-CK
Bishamon BT	BS55 L2000/L2300 L2000-U/L2300-U LHM 230	GWK-BS55-LW GWK-BTL-LW GWK-BTU-LW GWK-LHM-LW	Not Available GWK-BTL-CK GWK-BTU-CK GWK-LHM-CK
Central Hydraulic	39939	GWK-39939-LW	Not available
Clark	CGH23/25 CJ55	GWK-CGH23/25-LW GWK-CJ55-LW	GWK-CGH23/25-CK GWK-CJ55-CK
Crown	PTH (Later) PTH 50	GWK-PTH-LW GWK-PTH50-LW	GWK-PTH-CK GWK-PTH50-CK
Dayton	2ZE58 3KR84 3W094A 3W094B 4YX96 4YX97	GWK-2ZE58-LW GWK-3KR84-LW GWK-3W094A-LW GWK-3W094B-LW GWK-4YX96-LW GWK-4YX97-LW	GWK-2ZE58-CK Not Available Not Available Not Available GWK-4YX96-CK GWK-4YX97-CK
Doosan	AC25 HPT28	GWK-AC25-LW GWK-HPT28-LW	GWK-AC25-CK GWK-HPT28-CK
Eagle	Eagle55	GWK-EAGLE55-LW	GWK-EAGLE55-CK
EP	EP55-II	GWK-EP55II-LW	GWK-EP55II-CK
Global	334475	GWK-334475-LW	GWK-334475-CK

Order online at www.GenericParts.com

Be sure to use your Account # to see your prices and shipping costs.

Pre-Packaged Wheel Kits for Manual Pallet Jacks

for Manual Pallet Jacks		Pallet Jack Load Wheel Kit	Pallet Jack Complete Wheel Kit
Brand	Model	Item No.	Item No.
Hu-Lift	HP25L (Single)	GWK-HP25L-LW	GWK-HP25L-CK
	HP25L (Tandem)	GWK-HP25L-T-LW	GWK-HP25L-T-CK
	HSP	GWK-HSP-LW	Not Available
Hyster	HY55	GWK-HY55-LW	GWK-HY55-CK
Jet	PT 2748 A	GWK-JETA-LW	GWK-JETA-CK
	PT 2748 L	GWK-JETL-LW	GWK-JETL-CK
	PT 2748 J	GWK-JETJ-LW	GWK-JETJ-CK
	PT 2748 W	GWK-JETW-LW	GWK-JETW-CK
	PTW	GWK-JETPTW-LW	GWK-JETPTW-CK
	PTX	GWK-JETPTX-LW	GWK-JETPTX-CK
Jungheinrich	AM2200	GWK-AM2200-LW	GWK-AM2200-CK
King	KJ 2002	GWK-KJ-LW	GWK-KJ-CK
Lift Rite/Big Joe	CF & L30	GWK-CF-LW	Not Available
	L50	GWK-L50-LW	GWK-L50-CK
	L55	GWK-L55-LW	GWK-L55-CK
	LRP5000	GWK-LRP-LW	GWK-LRP-CK
	LR0655	GWK-LR0655-LW	GWK-LR0655-CK
	LCU & LCU4W	GWK-LCU-LW	Not Available
	LCU & LCU4W	GWK-LCUP-LW	Not Available
	LCM50	GWK-LCM-LW	Not Available
	LCM50	GWK-LCMP-LW	Not Available
	LCR55	GWK-LCR-LW	GWK-LCR-CK
	L50 4 Way	GWK-L504W-LW	Not Available
	L50 Mini	GWK-L50MS-LW, GWK-L50MP-LW	Not Available
	Little Mule	HP 25L	GWK-LM25-LW
Mighty Lift	ML55, CFA	GWK-BF-LW	GWK-BF-CK
	ML55-II & ML55L	GWK-BFII-LW	GWK-BFII-CK
	ML55	GWK-BFN-LW	GWK-BFN-CK
Mobile	ECO I-55	GWK-ECO-LW	GWK-ECO-CK
	ECO I-55 (Newer)	GWK-ECO2-LW	GWK-ECO2-CK
	ELP55	GWK-ELP55-LW	GWK-ELP55-CK
	ML55	GWK-ML55-LW	GWK-ML55-CK
	MLX55	GWK-MLX55-LW	GWK-MLX55-CK
Multiton	ELE35	GWK-ELE35-LW	Not Available
	ELE45	GWK-ELE45-LW	Not Available
	TM	GWK-TM-LW	GWK-TM-CK

Order online at www.GenericParts.com

Be sure to use your Account # to see your prices and shipping costs.

Pre-Packaged Wheel Kits for Manual Pallet Jacks

for Manual Pallet Jacks		Pallet Jack Load Wheel Kit	Pallet Jack Complete Wheel Kit
Brand	Model	Item No.	Item No.
Multiton cont.	TM55	GWK-TM55-LW	GWK-TM55-CK
	T45	GWK-T45-LW	GWK-T45-CK
	T50	GWK-T50-LW	GWK-T50-CK
Noble Lift	AC20	GWK-AC20-LW	GWK-AC20-CK
	AC25	GWK-AC25-LW	GWK-AC25-CK
	DF	GWK-DF-LW	GWK-DF-CK
	DF25	GWK-DF25-LW	GWK-DF25-CK
Pallet Mule	AA 5500	GWK-PUAA-LW	GWK-PUAA-CK
Pramac	GS22	GWK-GS22-LW	Not Available
Raymond	RJ50	GWK-RJ50-LW	GWK-RJ50-CK
	RJ50N	GWK-RJ50N-LW	GWK-RJ50N-CK
Rol-Lift	T&E Series	GWK-T&E-LW	Not Available
	T&E 2.9 Series	GWK-T&E2.9-LW	Not Available
Total Source	TSP5500	GWK-TSP5500-LW	GWK-TSP5500-CK
	HJ5500	GWK-HJ5500-LW	GWK-HJ5500-CK
Toyota	HPT25	GWK-HPT25-LW	GWK-HPT25-CK
Uline	H-1043, H-1193, H-1366, H-1484	GWK-1043-LW	GWK-1043-CK
	H-2186	GWK-2186-LW	GWK-2186-CK
	H-2708, H-2900, H-3045	GWK-2708-LW	GWK-2708-CK
	H-4123	GWK-4123-LW	GWK-4123-CK
Ultra	UL5500	GWK-UL-LW	GWK-UL-CK
Valu-Jack	6600/5500	GWK-VJ-LW	GWK-VJ-CK
	VJ 5500-2	GWK-VJ2-LW	GWK-VJ2-CK
Vestil	PM5	GWK-PM5-LW	Not Available
WanMax	W55	GWK-W55-LW	GWK-W55-CK
Wesco	272744	GWK-272744-LW	GWK-272744-CK
	272746	GWK-272746-LW	GWK-272746-CK
	272748	GWK-272748-LW	GWK-272748-CK
	CPI	GWK-CPI-LW	GWK-CPI-CK
	CPII	GWK-CPII-LW	Not Available
Yale	YA55	GWK-YA55-LW	GWK-YA55-CK

Order online at www.GenericParts.com

Be sure to use your Account # to see your prices and shipping costs.

Pre-Packaged Wheel Kits for Scissor High Lifts

for High Lifts/Scissor Lifts		Load Wheel Kit
Brand	Model	Item No
Atlas	MSL-27X48	GWK-MSL-LW
Hu-Lift	HSP	GWK-HSP-LW
Mobile	EMSL22	GWK-EMSL22-LW
Uline	H-1785	GWK-1785-LW
	H-2507	GWK-2507-LW
	H-5441	GWK-5441-LW
	H-5442	GWK-5442-LW
Vestil	L220DC	GWK-L220DC-LW
	L270DC	GWK-L270DC-LW
Wesco	NTEHL27	GWK-272461-LW
	TEHL21	GWK-272939-LW
	TEHL27	GWK-272937-LW
	TSHL20-33	GWK-272975-LW
	TSHL21	GWK-272755-LW
	TSHL27	GWK-272754-LW
	TSHL27-33	GWK-272976-LW



Includes:
(2) Ultra-Poly Load Wheel Assemblies (70D),
with Bearings, Axles & Fasteners

Order online at www.GenericParts.com

Be sure to use your Account # to see your prices and shipping costs.

Load Roller Assemblies

Includes bearings, washers, and bushings when applicable

Make	Model	Part No.	Distinction	Tread	Hub
Armstrong	55	AR AR-28	20mm Bearing ID	Ultra-Poly	Steel
Atlas	AAA MC	AT MC 108-A	3-1/4" Diameter	Ultra-Poly	Aluminum
Atlas	AA-5, AA-5L	AT 203/210-B-A	3/4" Bearing ID	Ultra-Poly	Steel
Atlas	AA-5, AA-5L	AT 204/210-B-A	3/4" Bearing ID	Nylon	Nylon
Atlas	AA-5, AA-5L	AT 203/210-1-B-A	20mm Bearing ID	Ultra-Poly	Steel
Atlas	AA-5, AA-5L	AT 204/210-1-B-A	20mm Bearing ID	Nylon	Nylon
Atlas	AA-30, AA-50	AT P220335-A-B	3/4" Bearing ID	Ultra-Poly	Aluminum
Atlas	AA-30, AA-50	AT P220335-N-A-B	3/4" Bearing ID	Nylon	Nylon
Atlas	EZ-LIFT	AT EZ 3028-P	2-3/4" Diameter	Ultra-Poly	Steel
Atlas	Zenith I, Zenith II	AT Z89-D	3" Diameter	Ultra-Poly	Aluminum
Atlas	Zenith I, Zenith II	AT Z89	3" Diameter	Ultra-Poly	Steel
Atlas	Zenith I, Zenith II	AT Z89-N	3" Diameter	Nylon	Nylon
Atlas	Zenith (Type 9)	AT Z-1227	3" Diameter	Ultra-Poly	Steel
Atlas	Zenith (Type 9)	AT Z-1227-N	3" Diameter	Nylon	Nylon
Baker	BHP55	BA 141566	20mm Bearing ID	Ultra-Poly	Steel
Baker	B50HP	See Marco Tiger GV5000			
Big Joe	L-50	See Lift-Rite L-50			
Big Joe	L-55	See Lift-Rite L-55			
Bishamon	BS-55, BS-65	BI 85007098-A	2-3/4" Diameter	Ultra-Poly	Steel
Bishamon	BS-55, BS-65	BI 85007098-N-A	2-3/4" Diameter	Nylon	Nylon
Bishamon	BS-55, BS-65	BI 12061323-A-D	3-1/4" Diameter	Ultra-Poly	Aluminum
Bishamon	BS-55, BS-65	BI 12061323-A	3-1/4" Diameter	Ultra-Poly	Steel
Bishamon	BS-55, BS-65	BI 12061323-N-A	3-1/4" Diameter	Nylon	Nylon
Blue Giant	MT-50	BG 906-0023-D-A	17mm Bearing ID	Ultra-Poly	Aluminum
Blue Giant	MT-50	BG 906-0023-P-A	17mm Bearing ID	Ultra-Poly	Steel
Blue Giant	MT-50	BG 906-0023-N-A	17mm Bearing ID	Nylon	Nylon
Blue Giant	MT-50	BG 906-0023-S-A	17mm Bearing ID	Steel	Steel
Blue Giant	PT-50	BG 103-297-A-D	3" Diameter	Ultra-Poly	Aluminum
Blue Giant	PT-50	BG 103-297-A	3" Diameter	Ultra-Poly	Steel
Blue Giant	PT-50	BG 103-297-N-A	3" Diameter	Nylon	Nylon
Blue Giant	PT-50	BG 103-160-A	3" Diameter	Steel	Steel
Blue Giant	ROI-5	BG 300-000-A-D	3" Diameter	Ultra-Poly	Aluminum
Blue Giant	ROI-5	BG 300-000-A	3" Diameter	Ultra-Poly	Steel
Blue Giant	ROI-5	BG 300-000-N-A	3" Diameter	Nylon	Nylon
Blue Giant	ROI-55	BG 300-030-A-D	2-3/4" Diameter	Ultra-Poly	Aluminum
Blue Giant	ROI-55, MTS 2000, PT-55	BG 300-034-A	2-3/4" Diameter	Ultra-Poly	Steel
Boman	55	BO 89-D	3" Diameter	Ultra-Poly	Aluminum
Boman	55	BO 89	3" Diameter	Ultra-Poly	Steel
Boman	55	BO 89-N	3" Diameter	Nylon	Nylon
Boman	SL	BO 25029-A	2-3/4" Diameter	Ultra-Poly	Steel
Boman	60	BO 60181-A-D	2.9" Diameter	Ultra-Poly	Aluminum
Boman	60	BO 60181-A	2.9" Diameter	Ultra-Poly	Steel
Boman	60	BO 60181-N	2.9" Diameter	Nylon	Nylon
Boman	60	BO 60181-S	2.9" Diameter	Steel	Steel

Load Roller Assemblies (continued)

Includes bearings, washers, and bushings when applicable

Make	Model	Part No.	Distinction	Tread	Hub
BT	LHM230	BT 167612	2-3/4" Wide	Ultra-Poly	Steel
BT	12H, 20H, 3000, 5000	BT 10100	20mm Bearing ID	Ultra-Poly	Steel
BT	12H, 20H, 3000, 5000	BT 10265	20mm Bearing ID	Nylon	Nylon
BT	L 2000, L 2300	BT 167605-D	3-1/4" Diameter	Ultra-Poly	Aluminum
BT	L 2000, L 2300	BT 167605	3-1/4" Diameter	Ultra-Poly	Steel
BT	L 2000, L 2300	BT 167602	3-1/4" Diameter	Nylon	Nylon
BT	L 2000, L 2300	BT 167601	3-1/4" Diameter	Steel	Steel
BT	L 2000-U, L 2300-U, LMH 230	BT 167609-D	2.9" Diameter	Ultra-Poly	Aluminum
BT	L 2000-U, L 2300-U, LMH 230	BT 167609	2.9" Diameter	Ultra-Poly	Steel
BT	L 2000-U, L 2300-U, LMH 230	BT 167600	2.9" Diameter	Nylon	Nylon
BT	L 2000-U, L 2300-U, LMH 230	BT 15881	2.9" Diameter	Ultra-Poly	Steel
BT	L 2000-U, L 2300-U, LMH 230	BT 15881-D-WA	2.9" Diameter Wet Appl.	Ultra-Poly	Aluminum
BT	L 2000-U, L 2300-U, LMH 230	BT 15881-WA	2.9" Diameter Wet Appl.	Ultra-Poly	Steel
BT	L 2000-U, L 2300-U, LMH 230	BT 55002-A	2.9" Diameter	Steel	Steel
CAT	HPT	CT A000000909	20mm Bearing ID	Ultra-Poly	Steel
Clark	CJ55	CL 1808300	3" Diameter	Ultra Poly	Steel
Clark	CJ55	CL 1808301	3" Diameter	Nylon	Nylon
Clark	CJ55	CL 1808302	3" Diameter	Steel	Steel
Clark	CGH 23/25	CL 1806292	3" Diameter	Ultra Poly	Steel
Clark	CGH 23/25	CL 1806293	3" Diameter	Nylon	Nylon
Crown	PTH50	CR 44506-001-D	3" Diameter	Ultra-Poly	Aluminum
Crown	PTH50	CR 44506-001	3" Diameter	Ultra-Poly	Steel
Crown	PTH50	CR 44506-002	3" Diameter	Nylon	Nylon
Crown	PTH50	CR 44506-003	3" Diameter	Steel	Steel
Crown	PTH, PT	CR 82283-1-D	3-1/4" Diameter	Ultra-Poly	Aluminum
Crown	PTH, PT	CR 82283-1	3-1/4" Diameter	Ultra-Poly	Steel
Crown	PTH, PT	CR 82283-2	3-1/4" Diameter	Nylon	Nylon
Crown	PTH, PT	CR 82283-3	3-1/4" Diameter	Steel	Steel
Dayton	3KR84	WW PM-5F-A	.5" Bearing ID	Ultra-Poly	Steel
Eagleman	A	EA A123-B	3" Diameter	Ultra-Poly	Aluminum
Eagleman	A	EA A123-A	3" Diameter	Ultra-Poly	Steel
Eagleman	A	EA A123-C	3" Diameter	Nylon	Nylon
Eagleman	A	EA A123-D	3" Diameter	Steel	Steel
Eagleman	ES, 60A	EA E193-D	2.9" Diameter	Ultra-Poly	Steel
Ecoa	PLH	EC PAL-P202-P-A	3" Diameter	Ultra-Poly	Steel
Ecoa	PAL, PLT, Blackjack SST	EC PLT-P0022-PY-A	3" Diameter	Ultra-Poly	Steel
Ecoa	PAL, PLT, Blackjack SST	EC PLT-P0023-S-A	3" Diameter	Steel	Steel
Global	334475	HL F1511B	2.75" Diameter	Ultra Poly	Steel
Global	334475	HL F1510B	Tandem Wheel	Ultra Poly	Steel
Hu-Lift	HP25L (Single)	HL F117B-A	2-3/4" Diameter	Ultra-Poly	Steel
Hu-Lift	HP25L (Single)	HL F117A-A	2-3/4" Diameter	Nylon	Nylon
Hu-Lift	HP25L (Tandem)	HL F116B-A	2.9" Diameter	Ultra-Poly	Steel
Interthor	K77, K85, Thork	IN 140.5233-A	3-1/4" Diameter	Nylon	Nylon
Interthor	K77, K85, Thork	IN 140.5234-A	3-1/4" Diameter	Ultra-Poly	Steel

Load Roller Assemblies (continued)

Includes bearings, washers, and bushings when applicable

Make	Model	Part No.	Distinction	Tread	Hub
Interthor	K77, K85, Thork	IN 140.5235-A	3-1/4" Diameter	Steel	Steel
Interthor	LX	IN 300041-A	3-1/4" Diameter	Ultra-Poly	Steel
Interthor	LX	IN 300061-A-D	3" Diameter	Ultra-Poly	Aluminum
Interthor	LX	IN 300061-A	3" Diameter	Ultra-Poly	Steel
Interthor	LX	IN 300061-N	3" Diameter	Nylon	Nylon
Interthor	LX	IN 300061-S	3" Diameter	Steel	Steel
Jet	Model A	JT PT2748A-080	2-3/4" Wide	Ultra-Poly	Steel
Jet	Model A	JT PT2748A-080-D	3" Diameter	Ultra-Poly	Aluminium
Jet	Model L	JT PT2748L-080	2-3/4" Diameter	Ultra-Poly	Steel
Jet	Model J	JT PT2748J-080	2-3/4" Diameter	Ultra-Poly	Steel
Jet	Model MD	JT 65-A	3" Diameter	Ultra-Poly	Steel
Jet	Model C	JT 203-A	3" Diameter	Ultra-Poly	Steel
Jet	Model C	JT 204-A	3" Diameter	Nylon	Nylon
Jet	Model W	JT PT2748W-29	2-3/4" Diameter	Ultra-Poly	Steel
Jet	Model W	JT PT2748W-29-N	2-3/4" Diameter	Nylon	Nylon
Jet	Model PTX	JT PT2748J-080BN	2-1/2" Diameter	Nylon	Nylon
Jet	Model JTX	JT JTX2748-094	3-5/8" Wide	Ultra-Poly	Steel
Jet	Model JTX	JT JTX2748-094BN	3-5/8" Wide	Nylon	Nylon
Jet	PTW	JT PT27036-3-29-D	3" Diameter	Ultra Poly	Aluminum
Jet	PTW	JT PT27036-3-29-A	3" Diameter	Ultra Poly	Steel
Jet	PTW	JT PT27036-3-29-N	3" Diameter	Nylon	Nylon
Jet	PTW	JT PT27036-3-29-S	3" Diameter	Steel	Steel
King	2500	KI C227-D	20mm Bearing ID	Ultra-Poly	Aluminum
King	2500	KI C227	20mm Bearing ID	Ultra-Poly	Steel
King	2500	KI C227-N	20mm Bearing ID	Nylon	Nylon
King	CB	KI CB-80	20mm Bearing ID	Ultra-Poly	Steel
Lift-Rite (Big Joe)	CF & L30	LF PM10210-U-B	1-3/4" Diameter	Steel	Steel
Lift-Rite (Big Joe)	CF & L30	LF PM10210-U-P	1-3/4" Diameter	Ultra-Poly	Steel
Lift-Rite (Big Joe)	L-50	LF 10210-P-A-D	3" Diameter	Ultra-Poly	Aluminum
Lift-Rite (Big Joe)	L-50	LF 10210-P-A	3" Diameter	Ultra-Poly	Steel
Lift-Rite (Big Joe)	L-50	LF 10210-N-A	3" Diameter	Nylon	Nylon
Lift-Rite (Big Joe)	L-50	LF 10210-S-A	3" Diameter	Steel	Steel
Lift-Rite (Big Joe)	L-50 Mini	LF 10210-M-P-A	2" Diameter	Ultra-Poly	Steel
Lift-Rite (Big Joe)	L-50 Mini	LF 10210-M-S-A	2" Diameter	Steel	Steel
Lift-Rite (Big Joe)	L-50 CHEP (4-way)	LF C-10210-A	1-3/4" Diameter	Steel	Steel
Lift-Rite (Big Joe)	L-55	LF 20210D-A	2.9" Diameter	Ultra-Poly	Aluminum
Lift-Rite (Big Joe)	L-55	LF 20210P-A	2.9" Diameter	Ultra-Poly	Steel
Lift-Rite (Big Joe)	L-55	LF 20210N-A	2.9" Diameter	Nylon	Nylon
Lift-Rite (Big Joe)	L-55	LF 20210S-A	2.9" Diameter	Steel	Steel
Lift-Rite (Big Joe)	LRP 5000	LF PL20210P-B-D	2.9" Diameter	Ultra-Poly	Aluminum
Lift-Rite (Big Joe)	LRP 5000	LF PL20210P-B	2.9" Diameter	Ultra-Poly	Steel
Lift-Rite (Big Joe)	LRP 5000	LF PL20210N-B	2.9" Diameter	Nylon	Nylon
Lift-Rite (Big Joe)	LRP 5000	LF PL20210S-B	2.9" Diameter	Steel	Steel
Lift-Rite (Big Joe)	LCU50, LCU4W	LF PM10210S-B	2" Diameter	Steel	Steel

Load Roller Assemblies (continued)

Includes bearings, washers, and bushings when applicable

Make	Model	Part No.	Distinction	Tread	Hub
Lift-Rite (Big Joe)	LCU50, LCU4W	LF PM10210P-B	2" Diameter	Ultra-Poly	Steel
Lift-Rite (Big Joe)	LCM50, LCM4W, LCUUF	LF PM10210U-B	1-3/4" Diameter	Steel	Steel
Lift-Rite (Big Joe)	LCM50, LCM4W, LCUUF	LF PM10210U-P	1-3/4" Diameter	Ultra-Poly	Steel
Lift-Rite (Big Joe)	LCR55	LF PL20210N-B	3" Diameter	Nylon	Nylon
Lift-Rite (Big Joe)	LCR55	LF PL20210P-B	3" Diameter	Ultra-Poly	Steel
Lift-Rite (Big Joe)	LCR55	LF PL20210S-B	3" Diameter	Steel	Steel
Little Mule	HP25L	LM 025231	2-1/2" Width	Ultra-Poly	Steel
Lo-Jo	5000	LJ 450-A	3" Diameter	Ultra-Poly	Aluminum
Lo-Jo	5000	LJ 450-N-A	3" Diameter	Nylon	Nylon
Lo-Lift	30, 50	LL P220335-A	3" Diameter	Ultra-Poly	Aluminum
Lo-Lift	30, 50	LL P220335-N-A	3" Diameter	Nylon	Nylon
Magnum (Intrupa)	5000 (Handjack 55)	MG 536-A	3" Diameter	Nylon	Nylon
Magnum (Intrupa)	5000 (Handjack 55)	MG 537-A	3" Diameter	Ultra-Poly	Steel
Magnum (Intrupa)	5000 (Handjack 55)	MG 538-A	3" Diameter	Steel	Steel
Marco Tiger	GV5000	TI 28-B-A	2-3/4" Diameter	Ultra-Poly	Steel
Mighty-Lift	ML55, ML55L, ML55II	ML B35	3" Diameter	Ultra-Poly	Steel
Mighty-Lift	ML55, ML55L, ML55II	ML B35-N	3" Diameter	Nylon	Nylon
Mighty-Lift	ML55, ML55L, ML55II	ML B35-S	3" Diameter	Steel	Steel
Mobile	ML50/ML55 (Older)	MO 203/210-A-D	3/4" Bearing ID	Ultra-Poly	Aluminum
Mobile	ML50/ML55 (Older)	MO 203/210-A	3/4" Bearing ID	Ultra-Poly	Steel
Mobile	ML50/ML55 (Older)	MO 204/210-A	3/4" Bearing ID	Nylon	Nylon
Mobile	ML50/ML55 (Older)	MO 200/210-A	3/4" Bearing ID	Steel	Steel
Mobile	ML55 (Newer)	MO 203/210-1-A-D	20mm Bearing ID	Ultra-Poly	Aluminum
Mobile	ML55 (Newer)	MO 203/210-1-A	20mm Bearing ID	Ultra-Poly	Steel
Mobile	ML55 (Newer)	MO 204/210-1-A	20mm Bearing ID	Nylon	Nylon
Mobile	ML55 (Newer)	MO 200/210-1-A	20mm Bearing ID	Steel	Steel
Mobile	ML55 (Mini)	MO 203M-A	3/4" Bearing ID, 2" Diameter	Ultra-Poly	Steel
Mobile	ML55 (Mini)	MO M200-S-A	3/4" Bearing ID, 2" Diameter	Steel	Steel
Mobile	MLX55	MO 120X205-A-D	20mm Bearing ID	Ultra-Poly	Aluminum
Mobile	MLX55	MO 120X205-A	20mm Bearing ID	Ultra-Poly	Steel
Mobile	ECO I-55	MO 120E35-A-D	3"X 3-1/2", 20mm Bearing ID	Ultra-Poly	Aluminum
Mobile	ECO I-55	MO 120E35-A	3"X 3-1/2", 20mm Bearing ID	Ultra-Poly	Steel
Mobile	ECO I-55	MO 120E35N-A	3"X 3-1/2", 20mm Bearing ID	Nylon	Nylon
Mobile	ECO I-55	MO 120E35S-A	3"X 3-1/2", 20mm Bearing ID	Steel	Steel
Mobile	ECO I-55 (Newer)	MO 18E234P-D	3"X 3-3/4", 20mm Bearing ID	Ultra Poly	Aluminum
Mobile	ECO I-55 (Newer)	MO 18E234P	3"X 3-3/4", 20mm Bearing ID	Ultra Poly	Steel
Mobile	ECO I-55 (Newer)	MO 18E234N	3"X 3-3/4", 20mm Bearing ID	Nylon	Nylon
Mobile	ECO I-55 (Newer)	MO 18E234S	3"X 3-3/4", 20mm Bearing ID	Steel	Steel
Multiton	TM, J	MU 91619-A-D	3" Diameter	Ultra-Poly	Aluminum
Multiton	TM, J	MU 91619-A	3" Diameter	Ultra-Poly	Steel
Multiton	TM, J	MU 91619-S	3" Diameter	Steel	Steel
Multiton	TM, J	MU 90317-A	3" Diameter	Nylon	Nylon
Multiton	TM, J	MU 90332-A	3" Dia. 2-3/4" Wide Tandem	Ultra-Poly	Steel
Multiton	M, S, HPL	MU 325-P-D	3-1/4" Diameter	Ultra-Poly	Aluminum

Load Roller Assemblies (continued)

Includes bearings, washers, and bushings when applicable

Make	Model	Part No.	Distinction	Tread	Hub
Multiton	M, S, HPL	MU 325-P	3-1/4" Diameter	Ultra-Poly	Steel
Multiton	M, S, HPL	MU 90320	3-1/4" Diameter	Nylon	Nylon
Multiton	M, S, HPL	MU 325-S	3-1/4" Diameter	Steel	Steel
Multiton	M, S, HPL	MU 325-TP	2-3/4" Diameter Tandem	Ultra-Poly	Steel
Multiton	TM 55	MU 090153008	3" Diameter	Ultra-Poly	Steel
Multiton	TM 55	MU 090153007	3" Diameter	Nylon	Nylon
Multiton	TM 55	MU 090153009	3" Diameter	Steel	Steel
Multiton	T 45, T 50	MU 09559049	3" Diameter	Ultra-Poly	Steel
Pallet Mule (Wesley)	AA5000	PU AA-3x4 PMWB	20mm Bearing ID	Ultra-Poly	Steel
Pallet Mule (Wesley)	AA5000	PU AA-3x4 SMWB	20mm Bearing ID	Steel	Steel
Pallet Mule (Wesley)	AA5500 2.9"	PU AA-2.875x4 PMWB-D	20mm Bearing ID, 2.9"	Ultra-Poly	Steel
Pallet Mule (Wesley)	AA5000 2.9"	PU AA-2.875 x4 PMWB-N	20mm Bearing ID, 2.9"	Nylon	Nylon
Pallet Mule (Wesley)	2LH	PU AA-2.5x4 PW/B	2.5" Diameter	Ultra-Poly	Steel
Pallet Mule (Wesley)	3000, 5000	PU B-4-5	5/8" Bearing ID	Ultra-Poly	Steel
Pallet Mule (Wesley)	3000, 5000	PU B-4-5-N	5/8" Bearing ID	Nylon	Nylon
Pallet Mule (Wesley)	3000, 5000	PU A3x4 PWB	5/8" Bearing ID	Ultra-Poly	Steel
Pallet Mule (Wesley)	5000X	PU A3x4 PMWB	20mm Bearing ID	Ultra-Poly	Steel
Pallet Mule (Wesley)	WIC	PU 65-2	3" Diameter	Ultra-Poly	Steel
Palletmaster	HSW	PM 01.05-FB	3/4" Bearing ID, Flanged	Ultra-Poly	Steel
Palletmaster	HSW	PM 01.05-A-D	3/4" Bearing ID	Ultra-Poly	Aluminum
Palletmaster	HSW	PM 01.05-A	3/4" Bearing ID	Ultra-Poly	Steel
Palletmaster	HSW	PM 01.05-N-A	3/4" Bearing ID	Nylon	Nylon
Palletmaster	HSW	PM 01.05-A-FB	3/4" Bearing ID, Flanged	Ultra-Poly	Aluminum
Pramac	GS22	PC S0002010328	3-1/8" Diameter	Ultra-Poly	Steel
Premier	5000	PE 221-D	3" Diameter	Ultra-Poly	Aluminum
Premier	5000	PE 221	3" Diameter	Ultra-Poly	Steel
Premier	5000	PE 221-N	3" Diameter	Nylon	Nylon
Prime Mover	P-50	PR P-13861-A	3/4" Bearing ID	Ultra-Poly	Aluminum
Prime Mover	P-50	PR N-13861-A	3/4" Bearing ID	Nylon	Nylon
Rol-Lift	Series T, Series E	RL RL 3-91003-A-D	3-1/4" Diameter, 4 Bearings	Ultra-Poly	Aluminum
Rol-Lift	Series T, Series E	RL RL-31	3-1/4" Dia., Flanged Bearings	Ultra-Poly	Steel
Rol-Lift	Series T, Series E	RL RL-31-N	3-1/4" Dia. Flanged Bearings	Nylon	Nylon
Rol-Lift	Series T, Series E	RL RL-31-S	3-1/4" Dia. Flanged Bearings	Steel	Steel
Rol-Lift	Series T, Series E	RL RL-31-3	3" Dia., Flanged Bearings	Ultra-Poly	Aluminum
Rol-Lift	Series T, Series E	RL RL-31-S-3	3" Dia., Flanged Bearings	Steel	Steel
Rol-Lift	Series T 2.9, Series E 2.9	RL WHL-5013-TPTUM-D	3" Diameter	Ultra-Poly	Aluminum
Rol-Lift	Series T 2.9, Series E 2.9	RL WHL-5013-TPTUM	3" Diameter	Ultra-Poly	Steel
Rol-Lift	Series T 2.9, Series E 2.9	RL WHL-5010-EPTUM	3" Diameter	Nylon	Nylon
Rol-Lift	Series T 2.9, Series E 2.9	RL WHL-5013-TPTUM-S	3" Diameter	Steel	Steel
Ultra	UL 5500	UL 1227-D	20mm Bearing ID	Ultra-Poly	Aluminum
Ultra	UL 5500	UL 1227	20mm Bearing ID	Ultra-Poly	Steel
Ultra	UL 5500	UL 1227-N	20mm Bearing ID	Nylon	Nylon
Uline	H-1043, H-1193, H-1366, H-1484	UE H-1043-WHKIT	3" Diameter	Ultra-Poly	Steel

Load Roller Assemblies (continued)

Includes bearings, washers, and bushings when applicable

Make	Model	Part No.	Distinction	Tread	Hub
Uline	H-1043, H-1193, H-1366, H-1484	UE H-1043-WHKIT-N	3" Diameter	Nylon	Nylon
Uline	H-1043, H-1193, H-1366, H-1484	UE H-1043-WHKIT-S	3" Diameter	Steel	Steel
Uline	H-2708, H-2900, H-3045	UE H-2708-AC234	3" Diameter	Ultra-Poly	Steel
Uline	H-2708, H-2900, H-3045	UE H-2708-AC234-N	3" Diameter	Nylon	Nylon
Uline	H-2708, H-2900, H-3045	UE H-2708-AC234-S	3" Diameter	Steel	Steel
Valu-Jack	KD-5500	VJ 393-D	2.9" Diameter	Ultra-Poly	Steel
Valu-Jack	KD-5500	VJ 393-S	2.9" Diameter	Steel	Steel
Valu-Jack	5500, 6600	VJ 66225-D	2.9" Diameter	Ultra-Poly	Aluminum
Valu-Jack	5500, 6600	VJ 66225	2.9" Diameter	Ultra-Poly	Steel
Valu-Jack	5500, 6600	VJ 66225-N	2.9" Diameter	Nylon	Nylon
Valu-Jack	5500, 6600	VJ 66225-S	2.9" Diameter	Steel	Steel
Valu-Lift	PD-5500	VL 293-D	2.9" Diameter	Ultra-Poly	Steel
Valu-Jack	5500-2	VJ 55F35	3" Diameter	Ultra Poly	Aluminum
Valu-Jack	5500-2	VJ 55F35	3" Diameter	Ultra Poly	Steel
Valu-Jack	5500-2	VJ 55F35	3" Diameter	Nylon	Nylon
Valu-Jack	5500-2	VJ 55F35	3" Diameter	Steel	Steel
Wesco	272748	WE 270139	3-3/8" Wide	Ultra-Poly	Steel
Wesco	272748	WE 270261	2-3/4" Wide	Ultra-Poly	Aluminum
Wesco	272748	WE 270262	3" Diameter	Ultra-Poly	Steel
Wesco	CPI	WE 272662	3-3/4" Wide	Ultra-Poly	Steel
Wesco	CPI	WE 272662-D	3-3/4" Wide	Ultra-Poly	Aluminum
Wesco	CPI	WE 272662-N	3-3/4" Wide	Nylon	Nylon
Wesco	CPI	WE 272662-S	3-3/4" Wide	Steel	Steel



Have wheel dimensions and bearing ID ready when ordering these parts.

Ultra-Poly Load Roller Assemblies... The Ultimate Upgrade!

The ideal wheel for moving heavy pallets. Includes bearings, washers and bushings.

- Non-Marking
- Easy Rolling
- Shatter-Resistant

Be Sure to Choose the Correct Wheel for Your Application:

The floor surface and the type of wheel material used will have a definite effect on the performance of your equipment.

Poly and Ultra-Poly Wheels

(The most common)

Poly Wheels:

Best for display floors, carpeting, and warehouses. They mark floors the least and roll easily and quietly.

Ultra-Poly Wheels:

Longer-lasting and roll more easily than regular Poly.

Ultra-Poly is very hard and won't shatter like nylon.

They are also non-marking.

Nylon Wheels

Best for cold storage applications, and in environments that may cause rust or corrosion.

Steel Wheels

Best for use on factory floors where there may be metal shavings or debris, and where noise is not an issue.

Steer Wheel Assemblies

Includes bearings, washers, and bushings when applicable

Make	Model	Part No.	Distinction	Tread	Hub
Armstrong	55	AR AR-10-HD	20mm Bearing ID	Ultra-Poly	Aluminum
Armstrong	55	AR AR-10-ST	20mm Bearing ID	Poly	Nylon
Atlas	AA-5	AT 101/210-B-HD	3/4" Bearing ID	Ultra-Poly	Aluminum
Atlas	AA-5	AT 101/210-B-ST	3/4" Bearing ID	Poly	Nylon
Atlas	AA-5L	AT 101/210-1-B-HD	20mm Bearing ID	Ultra-Poly	Aluminum
Atlas	AA-5L	AT 101/210-1-B-ST	20mm Bearing ID	Poly	Nylon
Atlas	AA-30, AA-50	AT P210335-B-HD	3/4" Bearing ID	Ultra-Poly	Aluminum
Atlas	AA-30, AA-50	AT P210335-B-ST	3/4" Bearing ID	Poly	Nylon
Atlas	AA-30, AA-50	AT P210335-N-B	3/4" Bearing ID	Nylon	Nylon
Atlas	AA-30, AA-50	AT 101/215-ALT-1-B-HD	1" Bearing ID	Ultra-Poly	Aluminum
Atlas	AA-30, AA-50	AT 101/215-ALT-1-B-ST	1" Bearing ID	Poly	Nylon
Atlas	EZ-LIFT	AT EZ-3010-P-HD	20mm Bearing ID	Ultra-Poly	Aluminum
Atlas	EZ-LIFT	AT EZ-3010-P-ST	20mm Bearing ID	Poly	Nylon
Atlas	Zenith I, Zenith II	AT Z70-HD	20mm Bearing ID	Ultra-Poly	Aluminum
Atlas	Zenith I, Zenith II	AT Z70-ST	20mm Bearing ID	Poly	Nylon
Atlas	Zenith (Type 9)	AT Z-1127	7" Diameter	Nylon	Nylon
Atlas	Zenith (Type 9)	Z-1128	7" Diameter	Black Poly	Nylon Hub
Atlas	Zenith (Type 9)	Z-1128-HD	7" Diameter	Red Ultra-Poly	Aluminum
Baker	B50HP	See Marco Tiger GV5000			
Baker	BHP55	BA 141541-HD	7" Diameter	Ultra-Poly	Aluminum
Baker	BHP55	BA 141541-ST	7" Diameter	Poly	Nylon
Big Joe	L-50	See Lift-Rite L-50			
Big Joe	L-55	See Lift-Rite L-55			
Bishamon	BS-55, BS-65	BI 12061733-A1-HD	20 and 25mm Bearing ID	Ultra-Poly	Aluminum
Bishamon	BS-55, BS-65	BI 12061733-A1-ST	20 and 25mm Bearing ID	Poly	Nylon
Bishamon	BS-55, BS-65	BI 12061733-S1	20 and 25mm Bearing ID	Steel	Steel

Steer Wheel Assemblies (continued)

Includes bearings, washers, and bushings when applicable

Make	Model	Part No.	Distinction	Tread	Hub
Bishamon	BS-55, BS-65	BI 12061733-A2-HD	20mm Bearing ID	Ultra-Poly	Aluminum
Bishamon	BS-55, BS-65	BI 12061733-A2-ST	20mm Bearing ID	Poly	Nylon
Bishamon	BS-55, BS-65	BI 85001753-A	20mm Bearing ID, Closed Hub	Nylon	Nylon
Blue Giant	MT-50	BG 906-0078-A-HD	7" Diameter	Ultra-Poly	Aluminum
Blue Giant	MT-50	BG 906-0078-A-ST	7" Diameter	Poly	Nylon
Blue Giant	MT-50	BG 904-0154	7" Diameter	Nylon	Nylon
Blue Giant	PT-50	BG 020-034-A-HD	1" Bearing ID	Ultra-Poly	Aluminum
Blue Giant	PT-50	BG 020-034-A-ST	1" Bearing ID	Poly	Nylon
Blue Giant	PT-50	BG 020-034-N-A	1" Bearing ID	Nylon	Nylon
Blue Giant	PT-50	BG 107-238-A	1" Bearing ID	Steel	Steel
Blue Giant	ROI-5	BG 111-078-N-A	1" Roller Bearing ID	Nylon	Nylon
Blue Giant	PT-55, ROI-55	BG 300-027-A-HD	1" Bearing ID	Ultra-Poly	Aluminum
Blue Giant	PT-55, ROI-55	BG 300-027-A-ST	1" Bearing ID	Poly	Nylon
Blue Giant	PT-55, ROI-55	BG 300-027-N-A	1" Bearing ID	Nylon	Nylon
Blue Giant	MTS 2000	BG 300-040-A-HD	1" Bearing ID	Ultra-Poly	Aluminum
Blue Giant	MTS 2000	BG 300-040-A-ST	1" Bearing ID	Poly	Nylon
Blue Giant	MTS 2000	BG 300-040-N-A	1" Bearing ID	Nylon	Nylon
Boman	55	BO 70-HD	20mm Bearing ID	Ultra-Poly	Aluminum
Boman	55	BO 70-ST	20mm Bearing ID	Poly	Nylon
Boman	SL	BO 25057-A-HD	25mm Bearing ID	Ultra-Poly	Aluminum
Boman	SL	BO 25057-A-ST	25mm Bearing ID	Poly	Nylon
Boman	60	BO 60101-A-HD	20mm Bearing ID	Ultra-Poly	Aluminum
BT	3000, 5000	BT 12358-1-HD	7" Diameter	Ultra-Poly	Aluminum
BT	3000, 5000	BT 12358-1-ST	7" Diameter	Poly	Nylon
BT	3000, 5000, 12H, 20H	BT 12358-2	8" Diameter	Poly	Nylon
BT	3000, 5000, 12H, 20H	BT 12356	8" Diameter	Nylon	Nylon
BT	L 2000, L 2300, L 2000-U, L 2300-U	BT 160422-HD	7" Diameter	Ultra-Poly	Aluminum
BT	L 2000, L 2300, L 2000-U, L 2300-U	BT 160422-ST	7" Diameter	Poly	Nylon
BT	L 2000, L 2300, L 2000-U, L 2300-U	BT 160421	7" Diameter	Nylon	Nylon
BT	L 2000, L 2300, L 2000-U, L 2300-U	BT 160433	7" Diameter	Steel	Steel
BT	L 2000, L 2300, L 2000-U, L 2300-U	BT 126968-A-HD	7" Diameter	Ultra-Poly	Aluminum
BT	L 2000, L 2300, L 2000-U, L 2300-U	BT 126968-A-ST	7" Diameter	Poly	Nylon
BT	L 2000, L 2300, L 2000-U, L 2300-U	BT 102667-A	7" Diameter	Steel	Steel
BT	L 2000, L 2300, L 2000-U, L 2300-U	BT 102665-A	7" Diameter, Closed Hub	Nylon	Nylon
BT	LHM 230	BT 160422-HD	7" Diameter	Ultra-Poly	Aluminum
BT	LHM 230	BT 160422-ST	7" Diameter	Poly	Nylon
BT	LHM 230	BT 160421	7" Diameter	Nylon	Nylon
BT	LHM 230	BT 160433	7" Diameter	Steel	Steel
CAT	HPT	CT A000000842-HD	8" Diameter	Ultra-Poly	Aluminum
CAT	HPT	CT A000000842-ST	8" Diameter	Poly	Nylon
Clark	CJ55	CL 1808270-HD	7" Diameter	Poly	Aluminum
Clark	CJ55	CL 1808270	7" Diameter	Poly	Nylon
Clark	CJ55	CL 1808271	7" Diameter	Nylon	Nylon
Clark	CJ55	CL 1808272	7" Diameter	Steel	Steel

Steer Wheel Assemblies (continued)

Includes bearings, washers, and bushings when applicable

Make	Model	Part No.	Distinction	Tread	Hub
Clark	CGH 23/25	CL 1806279-HD	7" Diameter	Poly	Aluminum
Clark	CGH 23/26	CL 1806279	7" Diameter	Poly	Nylon
Clark	CGH 23/26	CL 1806281	7" Diameter	Nylon	Nylon
Clark	CGH 23/26	CL 1806283	7" Diameter	Steel	Steel
Crown	PTH (Serial #3-147099 and lower)	CR 82274-1-HD	25mm Bearing ID	Ultra-Poly	Aluminum
Crown	PTH (Serial #3-147099 and lower)	CR 82274-1-ST	25mm Bearing ID	Poly	Nylon
Crown	PTH (Serial #3-147099 and lower)	CR 82274-2	25mm Bearing ID	Nylon	Nylon
Crown	PTH (Serial #3-147099 and lower)	CR 82274-3	25mm Bearing ID	Steel	Steel
Crown	PTH (Serial #3-147100 and higher)	CR 41275-1-HD	20mm Bearing ID	Ultra-Poly	Aluminum
Crown	PTH (Serial #3-147100 and higher)	CR 41275-1-ST	20mm Bearing ID	Poly	Nylon
Crown	PTH (Serial #3-147100 and higher)	CR 41275-2	20mm Bearing ID	Nylon	Nylon
Crown	PTH (Serial #3-147100 and higher)	CR 41275-3	20mm Bearing ID	Steel	Steel
Crown	PTH-50 (Serial #7-000000 and higher)	CR 44495-001-HD	7" Diameter	Ultra-Poly	Aluminum
Crown	PTH-50 (Serial #7-000000 and higher)	CR 44495-001-ST	7" Diameter	Poly	Nylon
Crown	PTH-50 (Serial #7-000000 and higher)	CR 44495-002	7" Diameter	Nylon	Nylon
Crown	PTH-50 (Serial #7-000000 and higher)	CR 44495-003	7" Diameter	Steel	Steel
Crown	PT	CR 40088-HD	30mm Bearing ID	Ultra-Poly	Aluminum
Dayton/ Grainger	3KR84	WW PM-5P-1"	1" Bearing ID	Poly	Nylon
Eagleman	A	EA A185-A	8" Diameter	Ultra-Poly	Aluminum
Eagleman	A	EA A185-B	8" Diameter	Poly	Nylon
Eagleman	A	EA A185-C	8" Diameter	Nylon	Nylon
Eagleman	A	EA A185-D	8" Diameter	Steel	Steel
Eagleman	ES	EA E183-A-HD	7" Diameter	Ultra-Poly	Aluminum
Eagleman	ES, 60A	EA E183-A-ST	7" Diameter	Poly	Nylon
Ecoa	PAL	EC PAL-56-A-HD	7" Diameter	Ultra-Poly	Aluminum
Ecoa	PAL	EC PAL-56-A-ST	7" Diameter	Poly	Nylon
Ecoa	PLH, PLT, Blackjack SST	EC PLT-P0021-PY-A	8" Diameter	Poly	Nylon
Global	334475	HL 127-A-HD	7" Diameter	Ultra-Poly	Aluminium
Global	334475	HL 127-A-ST	7" Diameter	Poly	Nylon
Global	334475	HL 127-A-N	7" Diameter	Nylon	Nylon
Hu-Lift	HP25L	HL 127-A-HD	7" Diameter	Ultra-Poly	Aluminum
Hu-Lift	HP25L	HL 127-A-ST	7" Diameter	Poly	Nylon
Hu-Lift	HP25L	HL 127-A-N	7" Diameter	Nylon	Nylon
Interthor	K77, K85, Thork	IN 130.5179-A	20mm Bearing ID	Poly	Nylon
Interthor	K77, K85, Thork	IN 140.6149-A	20mm Bearing ID	Nylon	Nylon
Interthor	K77, K85, Thork	IN 150.0000-A	20mm Bearing ID	Steel	Steel
Interthor	LX	IN 300047-A	25mm Bearing ID	Poly	Nylon
Interthor	LX	IN 300060-A-HD	7" Diameter	Ultra-Poly	Aluminum
Interthor	LX	IN 300060-A-ST	7" Diameter	Poly	Nylon
Jet	Model L	JT PT2748L-103	6-3/4" Diameter	Poly	Nylon
Jet	Model A or J	JT PT2748A-060-HD	20 and 25mm Bearing ID	Ultra-Poly	Aluminum
Jet	Model A or J	JT PT2748A-060-ST	20 and 25mm Bearing ID	Poly	Nylon
Jet	Model W	JT PT2748W-10-HD	20mm Bearing ID	Ultra-Poly	Aluminum
Jet	Model W	JT PT2748W-10-ST	20mm Bearing ID	Poly	Nylon

Steer Wheel Assemblies (continued)

Includes bearings, washers, and bushings when applicable

Make	Model	Part No.	Distinction	Tread	Hub
Jet	Model C	JT 101/210-1-A-HD	20mm Bearing ID	Ultra-Poly	Aluminum
Jet	Model C	JT 101/210-1-A-ST	20mm Bearing ID	Poly	Nylon
Jet	Model MD	JT 47-A	8" Diameter	Poly	Nylon
Jet	Model PTX	JT PTX2748-054-ST	7" Diameter	Poly	Nylon
Jet	Model PTX	JT PTX2748-054-HD	7" Diameter	Ultra-Poly	Aluminum
Jet	Model JTX	JT JTX2748-054-ST	8" Diameter	Poly	Nylon
Jet	PTW	JT PT2036-3-6-HD	7" Diameter	Poly	Aluminum
Jet	PTW	JT PT2036-3-6-ST	7" Diameter	Poly	Nylon
Jet	PTW	JT PT2036-3-6-N	7" Diameter	Nylon	Nylon
Jet	PTW	JT PT2036-3-6-S	7" Diameter	Steel	Steel
King	SY 2500	KI C128-HD	7" Diameter	Ultra-Poly	Aluminum
King	SY 2500	KI C128-ST	7" Diameter	Poly	Nylon
King	CB	KI CB-60	20 and 25mm Bearing ID	Poly	Nylon
Lift-Rite (Big Joe)	L-50 (Serial #62500 and higher)	LF 10236-B-A-HD	25mm Bearing ID	Ultra-Poly	Aluminum
Lift-Rite (Big Joe)	L-50 (Serial #62500 and higher)	LF 10236-B-A-ST	25mm Bearing ID	Poly	Nylon
Lift-Rite (Big Joe)	L-50 (Serial #62500 and higher)	LF 10236-B-N-A	25mm Bearing ID	Nylon	Nylon
Lift-Rite (Big Joe)	L-50 (Serial #62500 and higher)	LF 10236-B-S-A	25mm Bearing ID	Steel	Steel
Lift-Rite (Big Joe)	L-50 (Serial #62499 and lower)	LF 10236-R-A-HD	1" Bearing ID	Ultra-Poly	Aluminum
Lift-Rite (Big Joe)	L-50 (Serial #62499 and lower)	LF 10236-R-A-ST	1" Bearing ID	Poly	Nylon
Lift-Rite (Big Joe)	L-50 (Serial #62499 and lower)	LF 10236-R-N-A	1" Bearing ID	Nylon	Nylon
Lift-Rite (Big Joe)	L-55, LRP 5000	LF 20236-B-A-HD	25mm Bearing ID	Ultra-Poly	Aluminum
Lift-Rite (Big Joe)	L-55, LRP 5000	LF 20236-B-A-ST	25mm Bearing ID	Poly	Nylon
Lift-Rite (Big Joe)	L-55, LRP 5000	LF 20236N	25mm Bearing ID	Nylon	Nylon
Lift-Rite (Big Joe)	L-55, LRP 5000	LF 20236S	25mm Bearing ID	Steel	Steel
Lift-Rite (Big Joe)	Titan Series	LF 251189	7" Diameter	Nylon	Nylon
Lift-Rite (Big Joe)	Titan Series	LF 160422	7" Diameter	Poly	Nylon
Lift-Rite (Big Joe)	Titan Series	LF 200965	7" Diameter	Ultra-Poly	Aluminium
Lift-Rite (Big Joe)	Titan Series	LF 160433	7" Diameter	Steel	Steel
Little Mule	HP25T	LM 025232	7.25" Diameter	Poly	Nylon
Lo-Jo	5000	LJ 474/487-1-A-HD	8" Diameter	Ultra-Poly	Aluminum
Lo-Jo	5000	LJ 474/487-1-A-ST	8" Diameter	Poly	Nylon
Lo-Jo	5000	LJ 474/487-1-N-A	8" Diameter	Nylon	Nylon
Lo-Lift	30, 50	LL P210335-HD	3/4" Bearing ID	Ultra-Poly	Aluminum
Lo-Lift	30, 50	LL P210335-ST	3/4" Bearing ID	Poly	Nylon
Lo-Lift	30, 50	LL P210335-N	3/4" Bearing ID	Nylon	Nylon
Magnum (Intrupa)	Handjak 55	MG 148-A-HD	3/4" Bearing ID	Ultra-Poly	Aluminum
Magnum (Intrupa)	Handjak 55	MG 148-A-ST	3/4" Bearing ID	Poly	Nylon
Magnum (Intrupa)	Handjak 55	MG 147-A	3/4" Bearing ID	Nylon	Nylon
Magnum (Intrupa)	Handjak 55	MG 149-A	3/4" Bearing ID	Steel	Steel
Marco Tiger	GV5000	TI 38-B-A	8" Diameter	Poly	Nylon
Mighty Lift	ML55, ML55L, ML55-II	ML B8	7" Diameter	Poly	Nylon
Mighty Lift	ML55, ML55L, ML55-II	ML B8-HD	7" Diameter	Ultra-Poly	Aluminum
Mobile	ML50, ML55 (older)	MO 101/210-A-HD	3/4" Bearing ID	Ultra-Poly	Aluminum
Mobile	ML50, ML55 (older)	MO 101/210-A-ST	3/4" Bearing ID	Poly	Nylon

Steer Wheel Assemblies (continued)

Includes bearings, washers, and bushings when applicable

Make	Model	Part No.	Distinction	Tread	Hub
Mobile	ML50, ML55 (older)	MO 100/210-A	3/4" Bearing ID	Steel	Steel
Mobile	ML55 (newer)	MO 101/210-1-A-HD	20mm Bearing ID	Ultra-Poly	Aluminum
Mobile	ML55 (newer)	MO 101/210-1-A-ST	20mm Bearing ID	Poly	Nylon
Mobile	ML55 (newer)	MO 100/210-1-A	20mm Bearing ID	Steel	Steel
Mobile	MLX55	MO 120X105-A-HD	7" Diameter	Ultra-Poly	Aluminum
Mobile	MLX55	MO 120X105-A-ST	7" Diameter	Poly	Nylon
Mobile	MLX55	MO 120x105-N-A	7" Diameter	Nylon	Nylon
Mobile	ECO I-55	MO 120E8-A-HD	7" Diameter	Ultra-Poly	Aluminum
Mobile	ECO I-55	MO 120E8-A-ST	7" Diameter	Poly	Nylon
Mobile	ECO I-55	MO 120E8N-A	7" Diameter	Nylon	Nylon
Mobile	ECO I-55	MO 120E8S-A	7" Diameter	Steel	Steel
Mobile	ECO I-55 (Newer)	MO 18E310P-D	7" Diameter	Poly	Aluminum
Mobile	ECO I-55 (Newer)	MO 18E310P	7" Diameter	Poly	Nylon
Mobile	ECO I-55 (Newer)	MO 18E310N	7" Diameter	Nylon	Nylon
Mobile	ECO I-55 (Newer)	MO 18E310S	7" Diameter	Steel	Steel
Multiton	TM, M & J, HP5, HPL (Hand Control)	MU 90100-01-P-HD	20mm Bearing ID	Ultra-Poly	Aluminum
Multiton	TM, M & J, HP5, HPL (Hand Control)	MU 90164-ST	20mm Bearing ID	Poly	Nylon
Multiton	TM, M & J, HP5, HPL (Hand Control)	MU 90163	20mm Bearing ID	Nylon	Nylon
Multiton	TM, M & J, HP5, HPL (Hand Control)	MU 90100-01-S	20mm Bearing ID	Steel	Steel
Multiton	S (foot control)	MU 800-P-HD	25mm Bearing ID	Ultra-Poly	Aluminum
Multiton	S (foot control)	MU 800-P-ST	25mm Bearing ID	Poly	Nylon
Multiton	S (foot control)	MU 800-N	25mm Bearing ID	Nylon	Nylon
Multiton	S (foot control)	MU 800-S	25mm Bearing ID	Steel	Steel
Multiton	TM 55	MU 090186000	20mm Bearing ID	Poly	Nylon
Multiton	T-45, T-50	MU 09559048	20 and 25mm Bearing ID	Poly	Nylon
Pallet Mule (Wesley)	AA5000	PU AA-8x2 PMWB-HD	20mm Bearing ID	Ultra-Poly	Aluminum
Pallet Mule (Wesley)	AA5000	PU AA-8x2 SMWB	20mm Bearing ID	Steel	Steel
Pallet Mule (Wesley)	AA5500 2.9"	PU AA-7.25x2 PMWB-HD	20mm Bearing ID	Ultra-Poly	Aluminum
Pallet Mule (Wesley)	AA5500 2.9"	PU AA-7.25x2 PMWB-ST	20mm Bearing ID	Poly	Nylon
Pallet Mule (Wesley)	AA5500 2.9"	PU AA-7.25X2	20mm Bearing ID	Nylon	Nylon
Pallet Mule (Wesley)	2LH	PU AA-5.75x2 PMWB	6" Diameter	Ultra-Poly	Aluminum
Pallet Mule (Wesley)	3000, 5000	PU B-1-10-P-HD	3/4" Bearing ID	Ultra-Poly	Aluminum
Pallet Mule (Wesley)	5000X	PU A8x2 PMWB-HD	20mm Bearing ID	Ultra-Poly	Aluminum
Pallet Mule (Wesley)	WIC	PU 47-2	20mm Bearing ID	Poly	Nylon
Palletmaster	HSW	PM 01.13-A-HD	3/4" Bearing ID	Ultra-Poly	Aluminum
Palletmaster	HSW	PM 01.13-A-ST	3/4" Bearing ID	Poly	Nylon
Palletmaster	HSW	PM 01.13-N-A	3/4" Bearing ID	Nylon	Nylon
Palletmaster	HSW	PM 01.13-A-FB-HD	3/4" Bearing ID, Flanged	Ultra-Poly	Aluminum
Pramac	GS22	PC S0014010028-HD	20mm Bearing ID	Ultra-Poly	Aluminum
Pramac	GS22	PC S0014010028-ST	20mm Bearing ID	Poly	Nylon
Pramac	GS22	PC S000401066	20mm Bearing ID	Nylon	Nylon
Premier	5000	PE 128-HD	20mm Bearing ID	Ultra-Poly	Aluminum
Premier	5000	PE 128-ST	20mm Bearing ID	Poly	Nylon
Prime Mover	P-50	PR P-13864-A-HD	1" Bearing ID	Ultra-Poly	Aluminum

Steer Wheel Assemblies (continued)

Includes bearings, washers, and bushings when applicable

Make	Model	Part No.	Distinction	Tread	Hub
Prime Mover	P-50	PR N-13864-A	1" Bearing ID	Nylon	Nylon
RoL-Lift	Series T, Series E	RL RL-32-HD	8" Diameter, Flanged	Ultra-Poly	Aluminum
RoL-Lift	Series T, Series E	RL RL-32-ST	8" Diameter, Flanged	Poly	Nylon
RoL-Lift	Series T, Series E	RL RL-32-N	8" Diameter, Flanged	Nylon	Nylon
RoL-Lift	Series T, Series E	RL RL-32-S	8" Diameter, Flanged	Steel	Steel
RoL-Lift	Series T 2.9, Series E 2.9	RL WHL-5012-TPTUM	7-1/2" Diameter	Poly	Nylon
Uline	H-1034, H-1193, H-1366, H-1484	UE H-1043-B8	7" Diameter	Poly	Nylon
Uline	H-1034, H-1193, H-1366, H-1484	UE H-1043-B8-HD	7" Diameter	Ultra-Poly	Aluminum
Uline	H-1034, H-1193, H-1366, H-1484	UE H-1043-B8-S	7" Diameter	Steel	Steel
Uline	H-2708, H-2900, H-3045	UE H-2708-AC310	7" Diameter	Poly	Nylon
Uline	H-2708, H-2900, H-3045	UE H-2708-AC310-N	7" Diameter	Ultra-Poly	Aluminum
Uline	H-2708, H-2900, H-3045	UE H-2708-AC310-D	7" Diameter	Steel	Steel
Ultra	UL 5500	UL 1128-HD	7" Diameter	Ultra-Poly	Aluminum
Ultra	UL 5500	UL 1128-ST	7" Diameter	Poly	Nylon
Valu-Jack	KD-5500	VJ 485-HD	7" Diameter	Ultra-Poly	Aluminum
Valu-Jack	KD-5500	VJ 485-ST	7" Diameter	Poly	Nylon
Valu-Jack	KD-5500	VJ 485-N	7" Diameter	Nylon	Nylon
Valu-Jack	5500, 6600	VJ 66216-HD	7" Diameter	Ultra-Poly	Aluminum
Valu-Jack	5500, 6600	VJ 66216-ST	7" Diameter	Poly	Nylon
Valu-Jack	5500, 6600	VJ 66216-S	7" Diameter	Steel	Steel
Valu-Jack	5500-2	VJ 55F8-HD	7" Diameter	Poly	Aluminum
Valu-Jack	5500-2	VJ 55F8	7" Diameter	Poly	Nylon
Valu-Jack	5500-2	VJ 55F8N	7" Diameter	Nylon	Nylon
Valu-Jack	5500-2	VJ 55F8S	7" Diameter	Steel	Steel
Wesco	272748	WE 270135-ST	8" Diameter	Poly	Nylon
Wesco	272748	WE 270135-HD	8" Diameter	Ultra-Poly	Aluminum
Wesco	272748	WE 272663	7" Diameter	Ultra-Poly	Aluminum
Wesco	CPI	WE 272663-ST	7" Diameter	Poly	Nylon
Wesco	CPI	WE 272663-HD	7" Diameter	Ultra-Poly	Aluminum
Wesco	CPI	WE 272663-N	7" Diameter	Nylon	Nylon
Wesco	CPI	WE 272663-S	7" Diameter	Steel	Steel



Seal Kits

Make	Model	Part No.
Atlas	AA-5	AT 2044B
Atlas	AA-5L	AT 3025B
Atlas	AA-30	AT AP362
Atlas	AA-50	AT AP562
Atlas	Zenith (Type 9)	Z-1188
Atlas	EZ Lift	AT PT2748W-84 (Overload Valve Kit)
Atlas	EZ Lift	AT PT2748W-94 (O-Ring & Seal Kit)
Baker	BHP 45, BHP50	BA BHP1200
Big Joe	L-50	See Lift-Rite L-50
Big Joe	L-55	See Lift-Rite L-55
Bishamon	BS-55, BS-65	BI 52103704-SUPER
Bishamon	BS-55, BS-65	BI 52103704
Bishamon	BS-25	BI 52109704
Blue Giant	MT 50	BG 906-0102
Blue Giant	PT-50, PT-55	BG 805-603-SUPER
Blue Giant	PT-50, PT-55	BG 805-603
Blue Giant	PT-50, PT-55	BG 805-603-SLIM
Blue Giant	ROI-5, ROI-55, MTS 2000	BG 810-456
Boman	SL	BO 25110
Boman	60	BO 60250
BT	12H	BT 10038
BT	20H	BT 10039
BT	3000	BT 11131
BT	3000	BT 11131-SLIM
BT	5000	BT 11132
BT	5000	BT 11132-SLIM
BT	L 2000, L 2300, L 2000-U, L 2300-U	BT 129883-SUPER
BT	L 2000, L 2300, L 2000-U, L 2300-U, LHM 230	BT 129883
BT	L 2000, L 2300, L 2000-U, L 2300-U, LHM 230	BT 129883-SLIM
BT	L 2000, L 2300, L 2000-U, L 2300-U	BT 130784 (Pump Cylinder Kit)
BT	L 2000, L 2300, L 2000-U, L 2300-U	BT 22306 (Pump Cylinder Kit)
BT	L 2000, L 2300, L 2000-U, L 2300-U	BT 129881 (Lift Cylinder Kit)
BT	L 2000, L 2300, L 2000-U, L 2300-U	BT 129882 (Valve Packing Kit)
BT	LHM 230	BT 243772
CAT	5000	CT A000000871
Crown	PT	CR 40225
Crown	PTH (Serial #3-118400 to #3-183849)	CR 41246-SUPER
Crown	PTH (Serial #3-118400 to #3-183849)	CR 41246
Crown	PTH (Serial #3-183850 and higher)	CR 43023-SUPER
Crown	PTH (Serial #3-183850 and higher)	CR 43023
Crown	PTH-50 (Serial #7-000000 and higher)	CR 44648-SUPER
Crown	PTH-50 (Serial #7-000000 and higher)	CR 44648
Eagleman	A	EA A191
Eagleman	A	EA A192

Seal Kits (continued)

Make	Model	Part No.
Eagleman	A	EA A193
Eagleman	ES	EA E191
Ecoa	PAL, PLH	EC PAL-PRK-U
Ecoa	PLT	EC PLT-PRK
Ecoa	Blackjack (SST)	EC SST-PRK
Hu-Lift	HP25L	HL 99
Interthor	K77, K85, Thork	IN K-77
Interthor	LX	IN 100045
Interthor	LX	IN 100064 (Ball and Spring Kit)
Intrupa	Handjak 55	See Magnum
Jet	PT2748, PT2748A, PT2748L	JT PT2748A-101
Jet	PT2748J	JT PT2748J-101
Jet	PT2748MD	JT PT2748MD-RK
Jet	PT2748W	JT PT2748W-94 (O-Ring and Seal Kit)
Jet	PT2748W	JT PT2748W-84 (Overload Valve Kit)
Jet	PT2748C	JT 3025B
Jet	PTX	JT PTX2748-104
Jet	JTX	JT JTX2748-104
King	SY 2500	KI 147
King	CB	KI CB-SK
Langsenkamp	ML-55	LA 3025
Lift-Rite (Big Joe)	L-50	LF 10278-SUPER (Includes 10278 and 10279)
Lift-Rite (Big Joe)	L-50	LF 10278
Lift-Rite (Big Joe)	L-50	LF 10279 (Ball and Valve Kit)
Lift-Rite (Big Joe)	L-80, L-100	LF H10278
Lift-Rite (Big Joe)	L-55, LRP5000	LF 20278
Lift-Rite (Big Joe)	L-55, LRP5000	LF 20279 (Ball and Valve Kit)
Lift-Rite (Big Joe)	L-55, LRP5000	LF 20280 (Includes 20278 and 20279)
Lift-Rite (Big Joe)	Titan Series	LF 243772
Lo-Jo	3000, 5000, 6000	LJ 1000
Lo-Lift	30	LL P950330
Lo-Lift	26, 44, 50	LL P950550-6
Magnum (Intrupa)	5000 (Handjak 55)	MG 153-SUPER
Magnum (Intrupa)	5000 (Handjak 55)	MG 153
Marco Tiger	GV5000	TI 85
Mighty Lift	ML55	ML BK100
Mighty Lift	ML55-II, ML55L	ML AK100
Mobile	ML55/ML45	MO 3025-SUPER
Mobile	ML55/ML45	MO 3025
Mobile	ML50	MO 2044
Mobile	MLX55	MO 12X3025
Mobile	ECO I-55	MO 12E155
Multiton	TM, J, M (hand control)	MU 200064-901-SUPER
Multiton	TM, J, M (hand control)	MU 200064-901

Seal Kits (continued)

Make	Model	Part No.
Multiton	TM, J, M (hand control)	MU 74701-SLIM
Multiton	S (foot control)	MU 21719
Multiton	S (foot control)	MU 21719-SLIM
Multiton	TM 55	MU 200178730
Multiton	TMX	MU 58797-001
Multiton	T-45 (Serial #100000 to #199999)	MU 07459010
Multiton	T-45 (Serial #200000 and Higher)	MU 07459019
Multiton	600	MU 699
Pallet Mule (Wesley)	AA5000, AA5500	PU AA-76-5000
Pallet Mule (Wesley)	2500, 3000	PU B-1-30-3/4
Pallet Mule (Wesley)	4500, 5000, 6500	PU B-1-50-5/8
Pallet Mule (Wesley)	WIC, 5000X	PU C-76
Palletmaster	HSW	PM HSW-SUPER
Palletmaster	HSW	PM HSW
Pramac	GS22	PC G090001
Prime Mover	P-45, P-50	PR A-14026-1
Rol-Lift	3000 lb, some 4500 lb (1-3/8" Lift Ram)	RL T5AOK
Rol-Lift	3000 lb, some 4500 lb (1-3/8" Lift Ram)	RL 7-99003 (T5AOK-SLIM)
Rol-Lift	4500, 5000, 5500, 6500 lb (1-5/8" Lift Ram)	RL T5BOK-F-SUPER (Foot Control Model)
Rol-Lift	4500, 5000, 5500, 6500 lb (1-5/8" Lift Ram)	RL T5BOK-H-SUPER (Hand Control Model)
Rol-Lift	4500, 5000, 5500, 6500 lb (1-5/8" Lift Ram)	RL T5BOK
Rol-Lift	4500, 5000, 5500, 6500 lb (1-5/8" Lift Ram)	RL 7-99001 (T5BOK-SLIM)
Rol-Lift	4500, 5000, 5500, 6500 lb (1-5/8" Lift Ram)	RL 7-99000 (Spring and Ball Kit)
TallyHo	3000	TH A-28-3K
Valu-Jack	KD-5500	VJ 491
Valu-Jack	KD-5500	VJ 492
Valu-Jack	KD-5500	VJ 493
Valu-Jack	6600/5500	VJ 66150
Valu-Lift	PD-5500	VL 291
Wesco	5000, 272748	WE 270158
Wesco	CPI, 272655, 272656, 272657, 272659, 272660	WE 272661

Seal Kits

Kit parts are priced to offer maximum savings. They also include a parts breakdown, troubleshooting guide and rebuilding suggestions.



What is the difference between a Super Seal Kit, a Seal Kit and a Slim Seal Kit?

Super Seal Kits contain all parts that are included in a standard seal kit, as well as the most commonly needed parts beyond the standard seal kit to do a complete hydraulic unit rebuilt.

Standard Seal Kits have all of the parts included in the manufacturers' standard seal kit.

Slim Seal Kits include only the most essential and commonly replaced seals. A cost saving option if you know what you need. A Standard or Super seal kit is a better choice if a complete hydraulic unit rebuilt is necessary.

Hydraulic Oil

We have pint bottles of hydraulic oil for all brands

Model	Part No.
-------	----------

All

UNI-HO

See Hydraulic Oil Material Safety Data information on our website at www.GenericParts.com/oilsafety.htm

Rebuilt Hydraulic Units

We rebuild, exchange or turnaround hydraulic units for these pallet jacks.
All of our rebuilt units carry a 90-day warranty.

Make	Model	Part No.
Atlas	Zenith (Type 9)	HU AT-5500
Bishamon	BS-55 (Older)	HU BI BS-55-0
Bishamon	BS-55 (Newer)	HU BI BS-55-1
Blue Giant	MT-50	HU BG MT 50
Blue Giant	PT-50/55 (Foot Control Models)	HU BG PT50-F
Blue Giant	PT-50/55 (Hand Control Models)	HU BG PT50-H
Blue Giant	ROI-5, ROI-55, MTS 2000	HU BG ROI 5/55
BT	L 2000, L 2000-U, L 2300, L 2300-U	HU BTL 2000
BT	LHM 230 and LHM 230-U	HU BT LHM-230
Crown	PTH-50 (Serial # 7-000000 - 7-512501)	HU CR PTH-50
Crown	PTH50 (Serial # 7-512501 - 7-635878)	HU CR PTH-50-1
Crown	PTH50 (Serial # 7-635878 & Higher)	HU CR PTH-50-2
Crown	PTH (Ser # 3-183850 & Higher)	HU CR PTH-1PC
Crown	PTH (Ser # 3-118400 to # 3-183849)	HU CR PTH-2PC
Eagleman	A	HU EA A195
Eagleman	ES	HU EA E175
Hu-Lift	HP25L	HU HL 100
Interthor	K77 & K85	HU IN K77
Jet	PT2748W	HU JT PT2748W
Jet	JT PT2748A/L	HU JT PT2748A/L
Jet	PTX	HU JT PTX2748
Jet	JTX	HU JT JTX2748
Lift-Rite (Big Joe)	L-50	HU LF L50
Lift-Rite (Big Joe)	L-55 & LRP 5000	HU LF L55
Lift-Rite	Titan Series	HU LF LCR 55
Magnum (Intrupa)	5000 (Handjack 55)	HU MG 5000
Mobile	ML55, ML45	HU MO ML55
Mobile	ECO I-55	HU MO ECO I-55
Mobile	MLX55	HU MO MLX55
Multiton	TM, M & J	HU MU 40146X
Multiton	TM 55	HU MU 090163003X
Pallet Mule	AA5000, AA5500	HU PU AA5000
Palletmaster	HSW	HU PM HSW
Pramac	GS22	HU PC GS 22
RoI-Lift	Series T and E (Foot Control Models, 4500 lbs & Up)	HU RL 5000-F
RoI-Lift	Series T and E (Hand Control Models, 4500 lbs & Up)	HU RL 5000-H
Valu-Jack	KD-5500	HU VJ 5500
Valu-Jack	6600, 5500	HU VJ 6600

Buyback

We purchase a variety of rebuildable hydraulic units for up to \$75.00. Please call for more details.

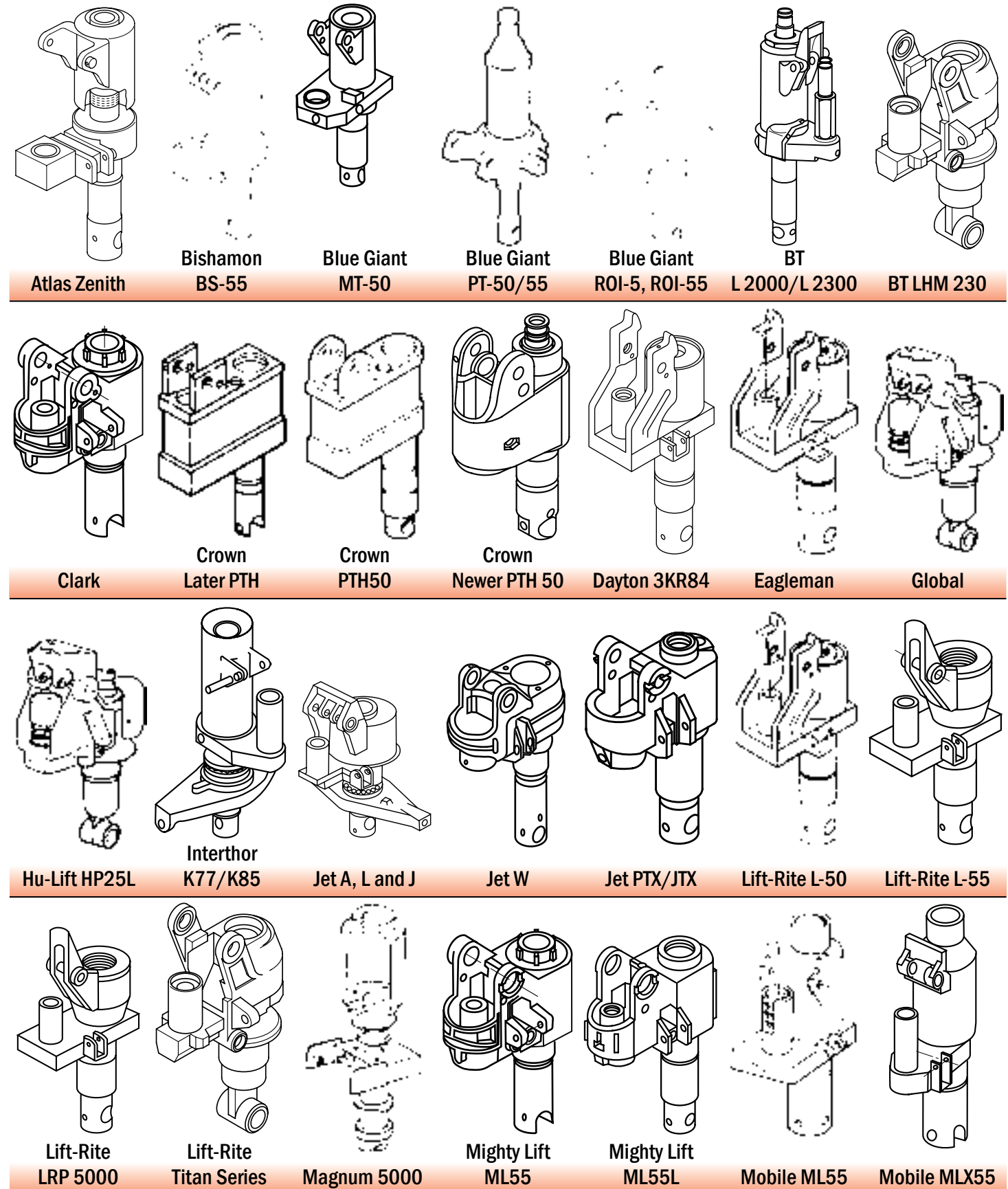
Exchange

We want your core! Full deposit credit given when received within 30 days. Please call for more details.

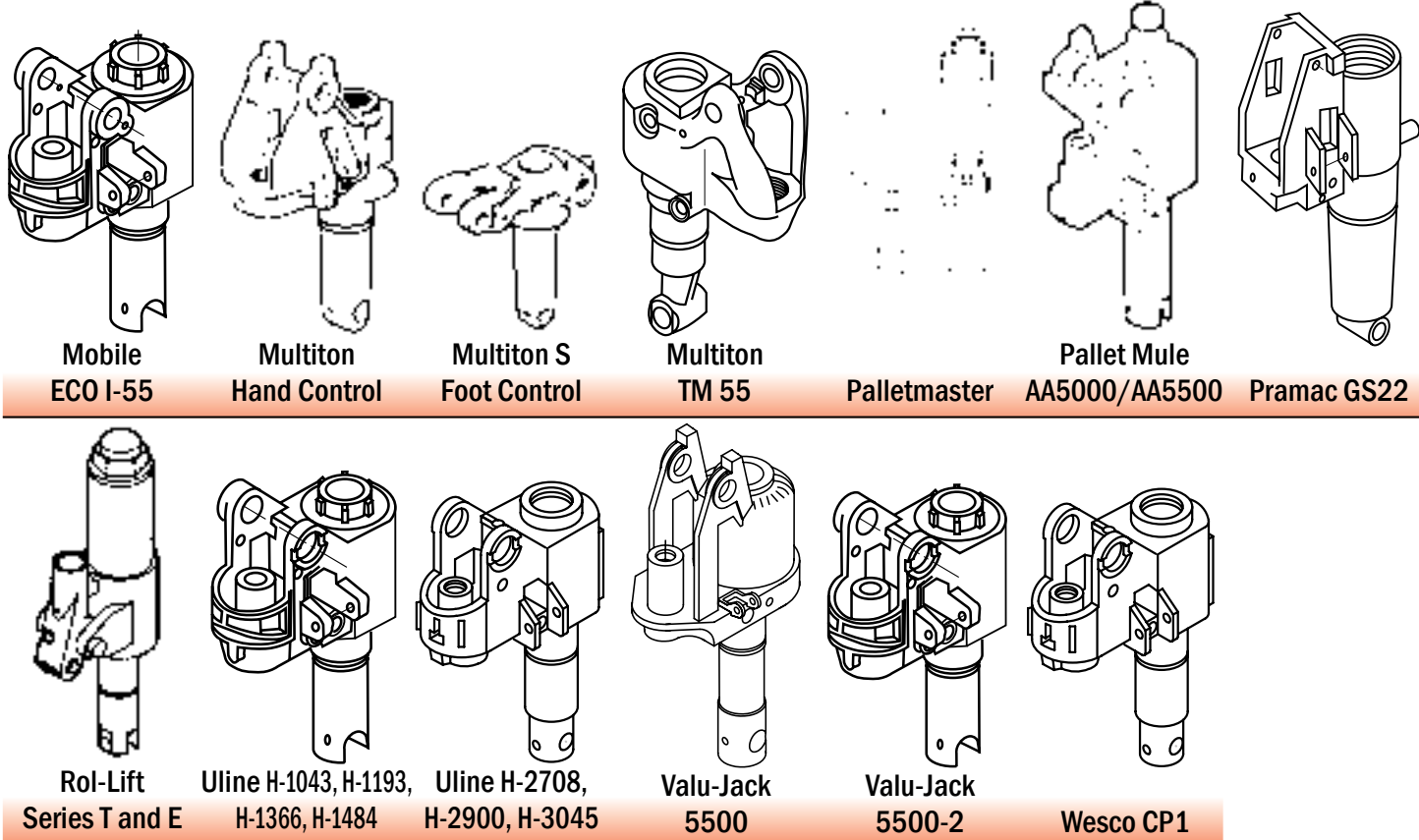
Handles

Ask about our handles! We stock all brands 800-331-0839 www.GenericParts.com

Hydraulic Unit Identification



Hydraulic Unit Identification



Save time and money!
Two great programs:

Exchange Program:

Take advantage of our exchange program and avoid downtime! If your hydraulic unit is malfunctioning, call us and we'll send you a rebuilt one for only \$145.00. You don't need to send us your unit until you receive the rebuilt unit. We have many rebuilt hydraulic units available. See the complete list on page 24.

*\$145 net, plus refundable core deposit.

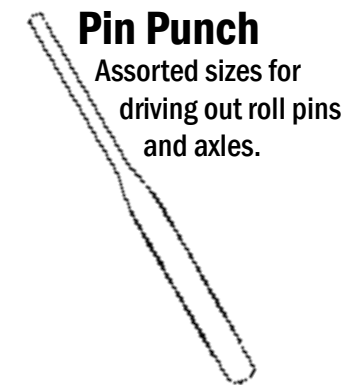
Or:

Rebuild Program:

Send us your malfunctioning hydraulic unit, and we will rebuild the unit for only \$134.00. Call 800-331-0839 for more details. All of our rebuilt units carry a 90-day warranty.

Tools

Part No.	Description	Used to Repair (Brand and Model)
TL 1/8 Punch	1/8" by 8" Pin Punch	All Models
TL 3/16 Punch	3/16" by 8" Pin Punch	All Models
TL 1/4 Punch	1/4" by 8" Pin Punch	All Models
TL 5/16 Punch	5/16" by 8" Pin Punch	BI BS-55; BT L 2000 and L 2000-U; CR PTH; MU TM, J and M
TL 3/8 Punch	3/8" by 8" Pin Punch	All Models
TL 6/45 SRP	6" Snap Ring Pliers, 45°	All Models Except Blue Giant and Pallet Mule
TL 9/45 SRP	9.5" Snap Ring Pliers, 45°	All Models Except Blue Giant and Pallet Mule
TL 9/90 SRP	9.5" Snap Ring Pliers, 90°	All Models
TL Allen 3mm	Allen Wrench, 3mm	CR PTH50
TL Allen 3/16"	Allen Wrench, 3/16"	MO ML55
TL Allen 1/4"	Allen Wrench, 1/4"	Rol-Lift T and E Series
TL Allen 5/16"	Allen Wrench, 5/16"	All Models
TL Allen 1/2"	Allen Wrench, 1/2"	LF L-50
TL Ernie	Axle Diameter Gauge	All Models
TL BUBG	Blue Giant Bushing Extractor	All Blue Giant Models
TL BUBT	BT Bushing Extractor	All BT Models
TL BUCR	Crown Bushing Extractor	All Crown Models
CR BHT	Crown Ball Housing Tool	All Crown Models
TL Philips	Screwdriver, Philips	BT L 2000 and L 2300
TL IT-150	Rod Seal Installation Tool	All Models With Rod Seals
TL TOOL KIT-GPS	Tool Kit	All Models



Pin Punch

Assorted sizes for driving out roll pins and axles.

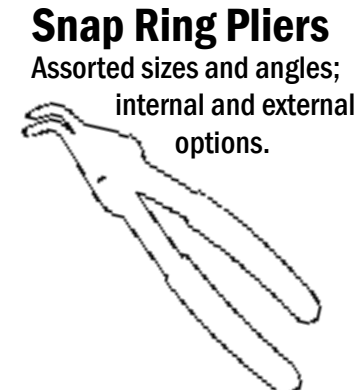


Bushing Extractor

For Blue Giant, BT and Crown - drives out all bushings for each brand.

Ernie

Measures axle diameter quickly and accurately; specifies metric and standard.



Snap Ring Pliers

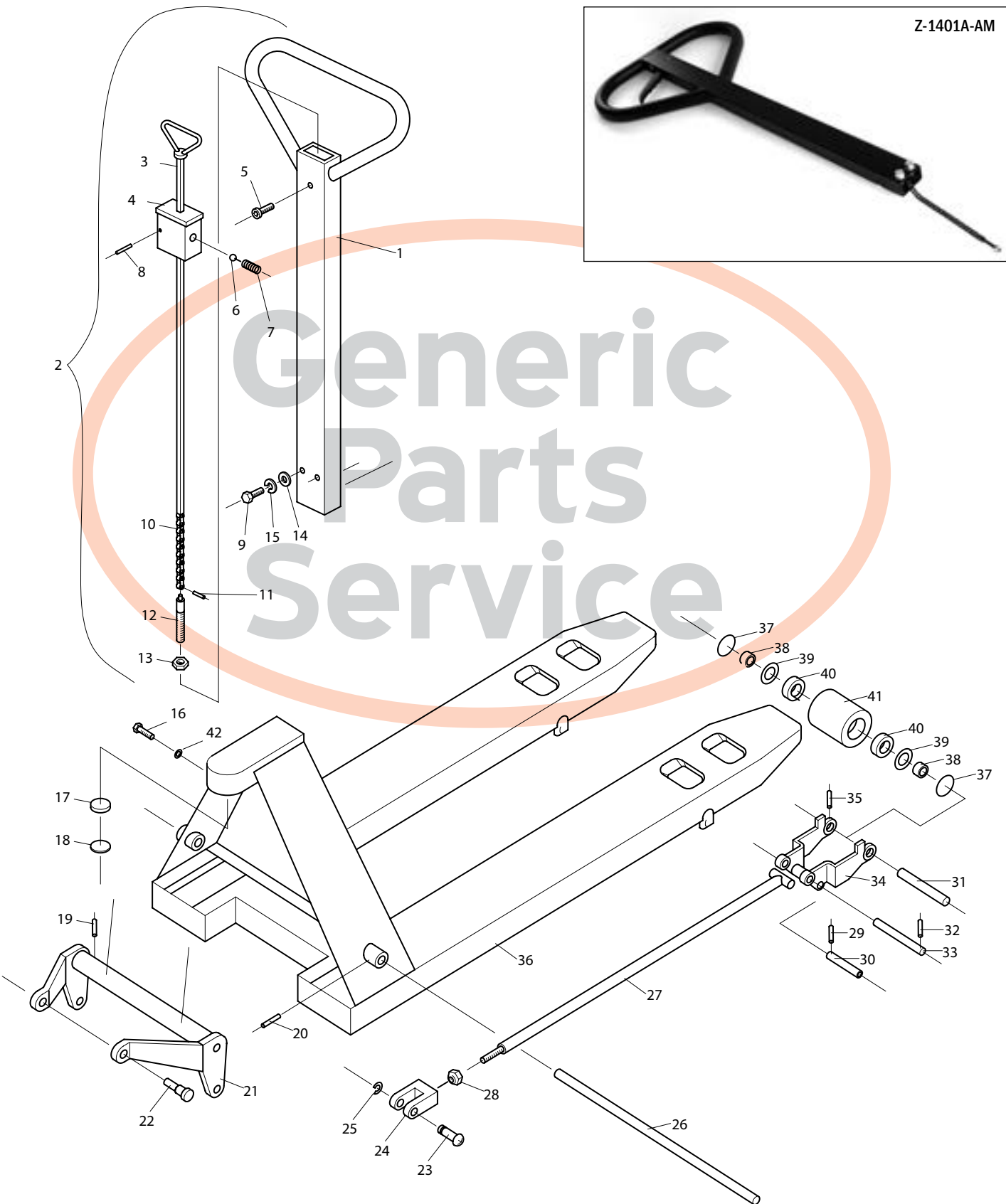
Assorted sizes and angles; internal and external options.



Ball Housing Tool

For Crown PTH and PTH50 pallet jacks - won't damage threads or ball housing groove.

Atlas Zenith (Type 9) Frame



Atlas Zenith (Type 9) Frame

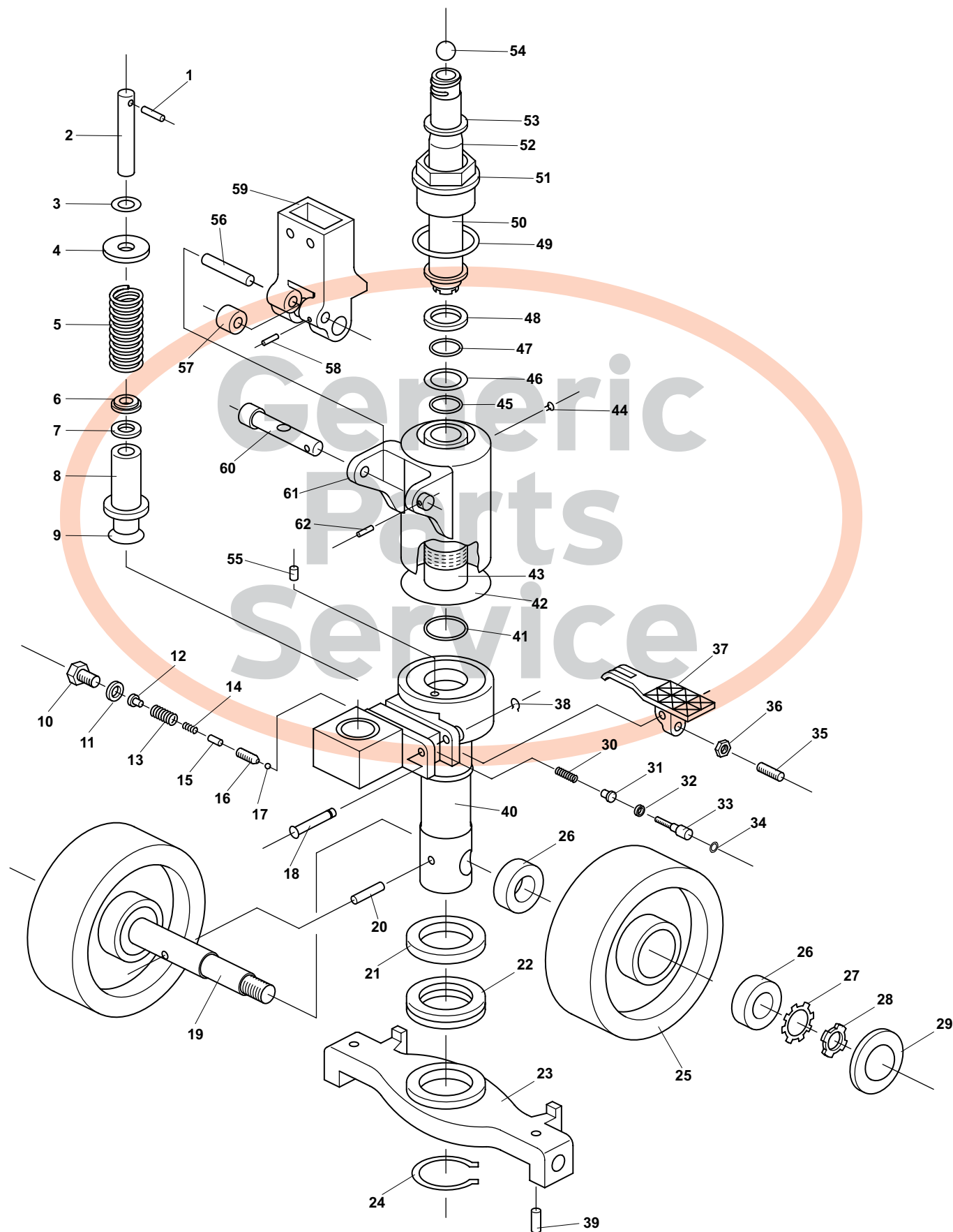
Item	Part No.	Description
1	Z-1401	Handle Frame
2	Z-1401A	Handle Assembly
	Z-1401A-AM	Handle Assembly, After Market
3	Z-1402	Pull Rod
4	Z-1403	Support Base
5	Z-1404	Screw
6	Z-1405	Ball
7	Z-1406	Spring
8	Z-1407	Pin
9	Z-1408	Screw
10	Z-1409	Chain (includes items 10-13)
11	Z-1410	Pin
12	Z-1411	Adjusting Screw
13	Z-1412	Nut
14	Z-1413	Washer
15	Z-1414	Lock Washer
16	Z-1201	Screw
17	Z-1202	Washer
18	Z-1203	Retainer
19	Z-1204	Oiler
20	Z-1205	Roll Pin
21	Z-1206	Bell Crank
22	Z-1207	Shoulder Bolt

Item	Part No.	Description
23	Z-1208	Rod Pin
24	Z-1209	Clevis
25	Z-1210	Snap Ring
26	Z-1211	Lift Link Axle
27	Z-1212	Push Rod
28	Z-1213	Push Rod Hex Nut
29	Z-1215	Roll Pin
30	Z-1216	Push Rod Pin
31	Z-1217	Load Wheel Axle
32	Z-1218	Roll Pin
33	Z-1219	Pivot Axle
34	Z-1220	Load Wheel Bracket
35	Z-1221	Roll Pin
36	Z-1222	Frame
37	Z-1223	Snap Ring
38	Z-1224	Spacer
39	Z-1225	Dust Cover
40	Z-1226	Bearing
41	Z-1227	Load Roller Assembly, Black Ultra-Poly On Steel Hub W/ Bearings
	GWK-ATZ-LW	Load Wheel Kit, (2) Black Ultra-Poly Load Roller Assemblies (70D), W/ Bearings, Axles & Fasteners
42	Z-1228	Lock Washer

Load Wheel Kit



Atlas Zenith (Type 9) Hydraulic Unit



Atlas Zenith (Type 9) Hydraulic Unit

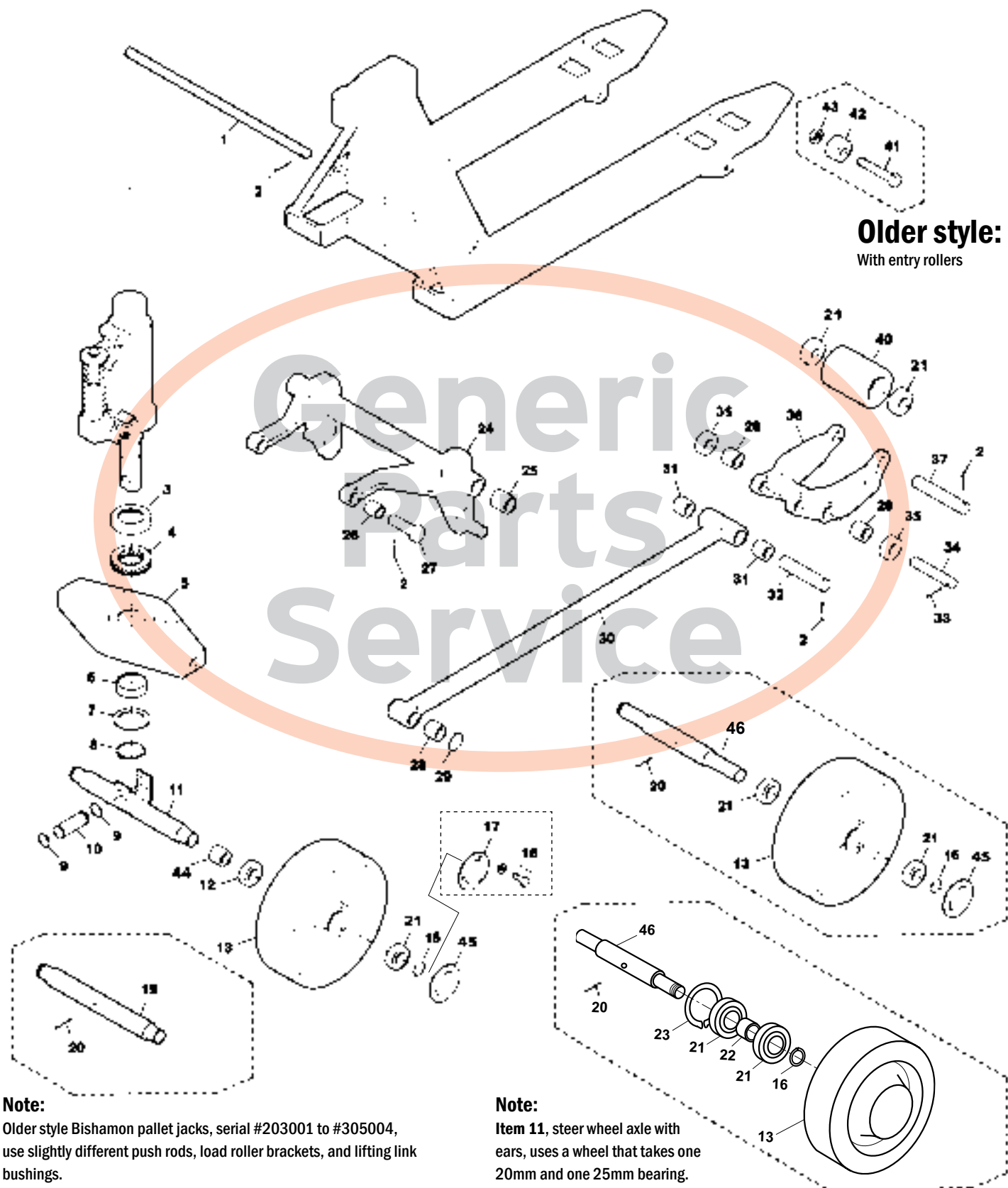
Item	Part No.	Description
1	Z-1101	Pin
2	Z-2102A	Pump Piston
3	Z-1104	Washer
4	Z-1105	Washer
5	Z-1107	Spring
6	A Z-2104	Scraper
7	A Z-2105	U-Cup
8	Z-2110A	Pump Cylinder
9	A Z-1111	O-Ring
10	Z-1112	Plug
11	A Z-1113	Seal
12	Z-1114	Spring Seat
13	Z-1115	Spring
14	Z-1116	Spring
15	Z-1117	Spindle
16	Z-1118	Valve Seat
17	Z-1119	Valve Ball
18	Z-1120	Pin
19	Z-1121	Steer Axle
20	Z-1122	Spring Pin
21	Z-2123A	Bearing Cover
22	Z-1124	Thrust Bearing
23	Z-2125A	Traverse
24	Z-1126	Snap Ring
25	Z-1127	Steer Wheel Assembly, Nylon W/ Bearings
	Z-1128	Steer Wheel Assembly, Black Poly On Nylon Hub W/ Bearings
	Z-1128-HD	Steer Wheel Assembly, Red Ultra-Poly On Aluminum Hub W/Bearings
	GWK-ATZ-CK	Complete Wheel Kit, (2) Ultra-Poly Load Roller Assemblies (70D), (2) Poly Steer Wheel Assemblies W/ Bearings, Axles & Fasteners
26	Z-1129	Bearing
27	Z-1130	Tab Washer
28	Z-1131	Round Nut
29	Z-1132	Hub Cap
30	Z-1134	Spring
31	Z-1135	Spring Guide
32	A Z-1136	Seal
33	Z-1137	Release Pin
34	A Z-1138	O-Ring
35	Z-1139	Adjustment Screw
36	Z-1140	Lock Nut
37	Z-1141	Release Lever
38	Z-1147	Snap Ring

Item	Part No.	Description
39	Z-1123	Roll Pin
40	Z-1148A	Pump Base
41	A Z-1149	O-Ring
42	A Z-1150	Back-Up Ring
43	Z-1151	Ram Cylinder
44	A Z-1152	Oil Plug
45	Z-1153	Retaining Ring
46	Z-1154	Washer
47	A Z-1155	O-Ring
48	A Z-1156	U-Cup
49	A Z-1157	Ring Seal
50	Z-1158	Lift Ram
51	Z-1159	Cylinder Cap
52	A Z-1160	O-Ring
53	A Z-1161	Scraper
54	Z-1162	Ball
55	Z-1172	Filter
56	Z-1180	Roller Pin
57	Z-1181	Roller
58	Z-1182	Roll Pin
59	Z-1183	Handle Base
60	Z-1184	Pivot Pin
61	Z-1186	Reservoir
62	Z-1185	Roll Pin
Kits A	Z-1188	Complete Seal Kit
	Z-1189	Hydraulic Unit
	HU AT-5500	Rebuilt Hydraulic Unit-Exchange

Complete Wheel Kit



Bishamon BS-55 Frame



Older style:
With entry rollers

Note:

Older style Bishamon pallet jacks, serial #203001 to #305004, use slightly different push rods, load roller brackets, and lifting link bushings.

These parts are not interchangeable. Please be sure you know which jack you have before ordering parts. The easiest way to tell, besides the serial number, is older style jacks have entry rollers (item 42).

Note:

Item 11, steer wheel axle with ears, uses a wheel that takes one 20mm and one 25mm bearing.

Item 19, steer wheel axle with no ears, uses a wheel that takes one 20mm and one 25mm bearing.

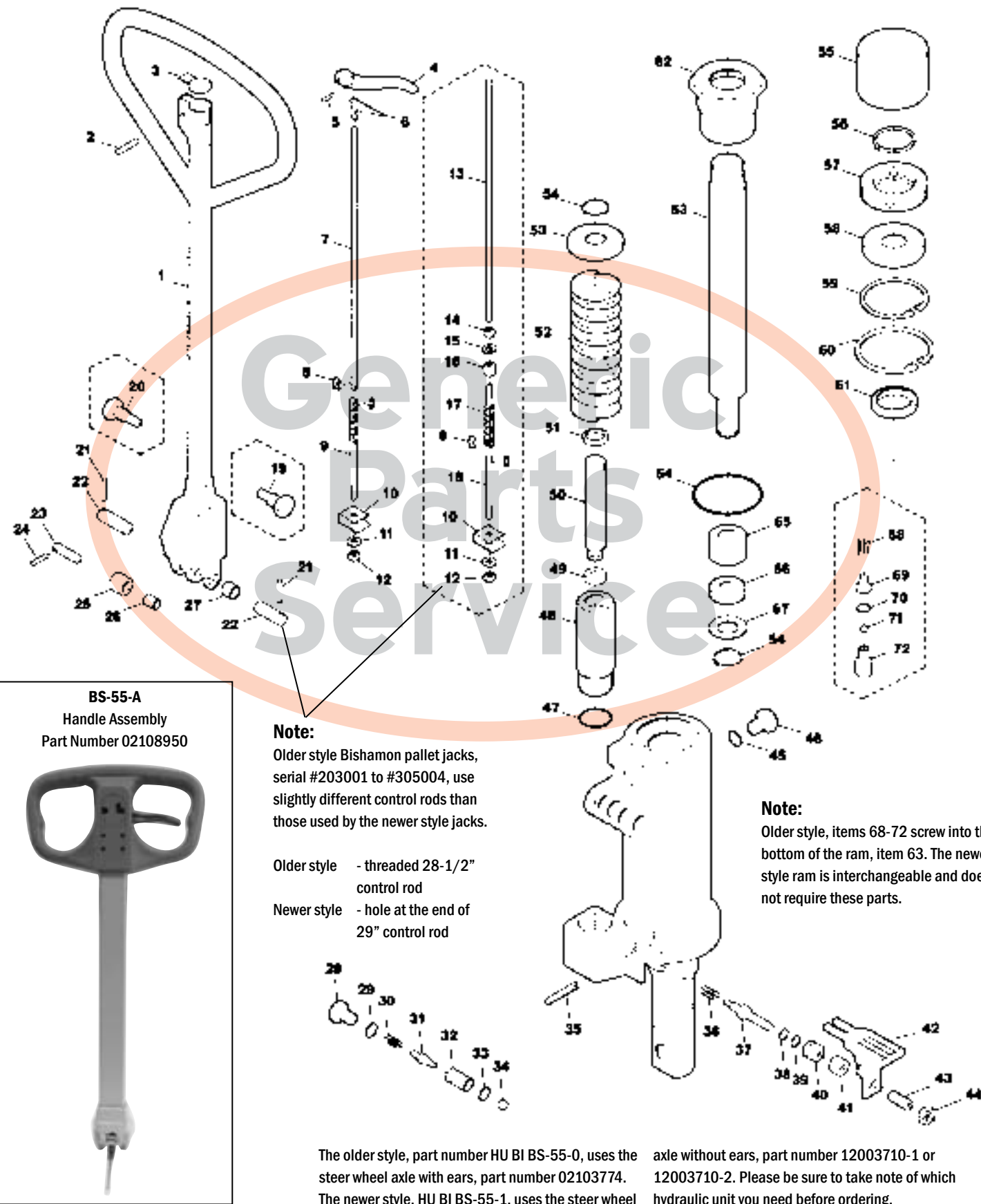
Item 46, steer wheel axle, uses a wheel that takes two 20mm bearings.

Bishamon BS-55 Frame

Item	Part No.	Description
1	12007244	Lifting Link Shaft, 27" Wide Jack
2	90980530	Roll Pin
3	12003683	Bearing Cover
4	81251109	Traverse Bearing
5	12013674	Traverse
6	81940442	Bushing
7	12003693	Washer
8	80845025	Snap Ring
9	80848009	Snap Ring
10	12103784	Pin
11	02103774	Steer Wheel Axle, Oldest Style
12	6005 ZZ	Bearing, 25mm ID
	81036205	Bearing (OEM Steer Wheel Only)
13	12061733-A1-HD	Steer Wheel Assembly, Red Ultra-Poly On Aluminum Hub W/ (1) 20 mm and (1) 25 mm Bearing
	12061733-A1-ST	Steer Wheel Assembly, Black Poly On Nylon Hub W/ (1) 20 mm and (1) 25 mm Bearing
	12061733-S1	Steer Wheel Assembly, Steel W/ (1) 20 mm and (1) 25 mm Bearing
	12061733-A2-HD	Steer Wheel Assembly, Red Ultra-Poly On Aluminum Hub W/ (2) 20 mm Bearings
	12061733-A2-ST	Steer Wheel Assembly, Black Poly On Nylon Hub W/ (2) 20 mm Bearings
	85001753-A	Steer Wheel Assembly, Nylon, Newer Style Closed Hub W/ (2) 20 mm Bearings
16	80845011	Snap Ring
17	12003753	Hub Cap (Not Used On Aluminum Hub)
18	90890512	Bolt and Washer (OEM Steer Wheel Only)
19	12003710-1	Axle, Older Style
20	90980845	Roll Pin
21	81046204	Bearing, 20 mm ID
	81036004	Bearing, 20 mm ID, (For OEM 2-3/4" Load Roller Only)
	81026304	Bearing (For OEM Steer Wheel Only)
22	52103690	Sleeve
23	80846026	Snap Ring
24	02108204	Lifting Link, 27" Wide Jack

Item	Part No.	Description
25	81920263	Bushing, 20-1/2" Wide Jack
	81922283	Bushing, 27" Wide Jack (Newer Style)
	81920283	Bushing, 27" Wide Jack
26	81916201	Bushing
27	12003703	Shoulder Pin
28	81920243	Bushing
29	80847015	Snap Ring
30	02108264	Push Rod, 48" Forks (Newer Style)
	02016263	Push Rod, 48" Forks (Older Style, Serial #203001 to # 305004)
31	81920241	Bushing
32	12003293	Push Rod Axle
33	90980540	Roll Pin
34	12003313	Pivot Axle
35	12103433	Exit Roller
36	02103304	Load Roller Bracket (Newer Style)
	02003304	Load Roller Bracket (Older Style) Replace W/ 02103304
37	12003333	Load Roller Axle
40	85007098-A	Load Roller Assembly, 2-3/4" Diameter, Black Ultra-Poly On Steel Hub W/ Bearings
	85007098-N-A	Load Roller Assembly, 2-3/4" Diameter, Nylon W/ Bearings
	12061323-A-D	Load Roller Assembly, 3-1/4" Diameter, Red Ultra-Poly On Aluminum Hub W/ Bearings
	12061323-A	Load Roller Assembly, 3-1/4" Diameter, Black Ultra-Poly On Steel Hub W/ Bearings
	12061323-N-A	Load Roller Assembly, 3-1/4" Diameter, Nylon W/ Bearings
	GWK-BS55-LW	Load Wheel Kit, (2) Black Ultra-Poly Load Roller Assemblies (70D), W/ Bearings, Axles & Fasteners
41	52008153	Bolt
42	52008143	Entry Roller
43	90931508	Adjusting Nut
44	BU 25mm	Spacer
45	BU 47mm HC	Hub Cap
46	12003710-2	Axle, Newer Style

Bishamon BS-55 Hydraulic Unit



Note:
Older style Bishamon pallet jacks, serial #203001 to #305004, use slightly different control rods than those used by the newer style jacks.

Older style - threaded 28-1/2" control rod
Newer style - hole at the end of 29" control rod

Note:
Older style, items 68-72 screw into the bottom of the ram, item 63. The newer style ram is interchangeable and does not require these parts.

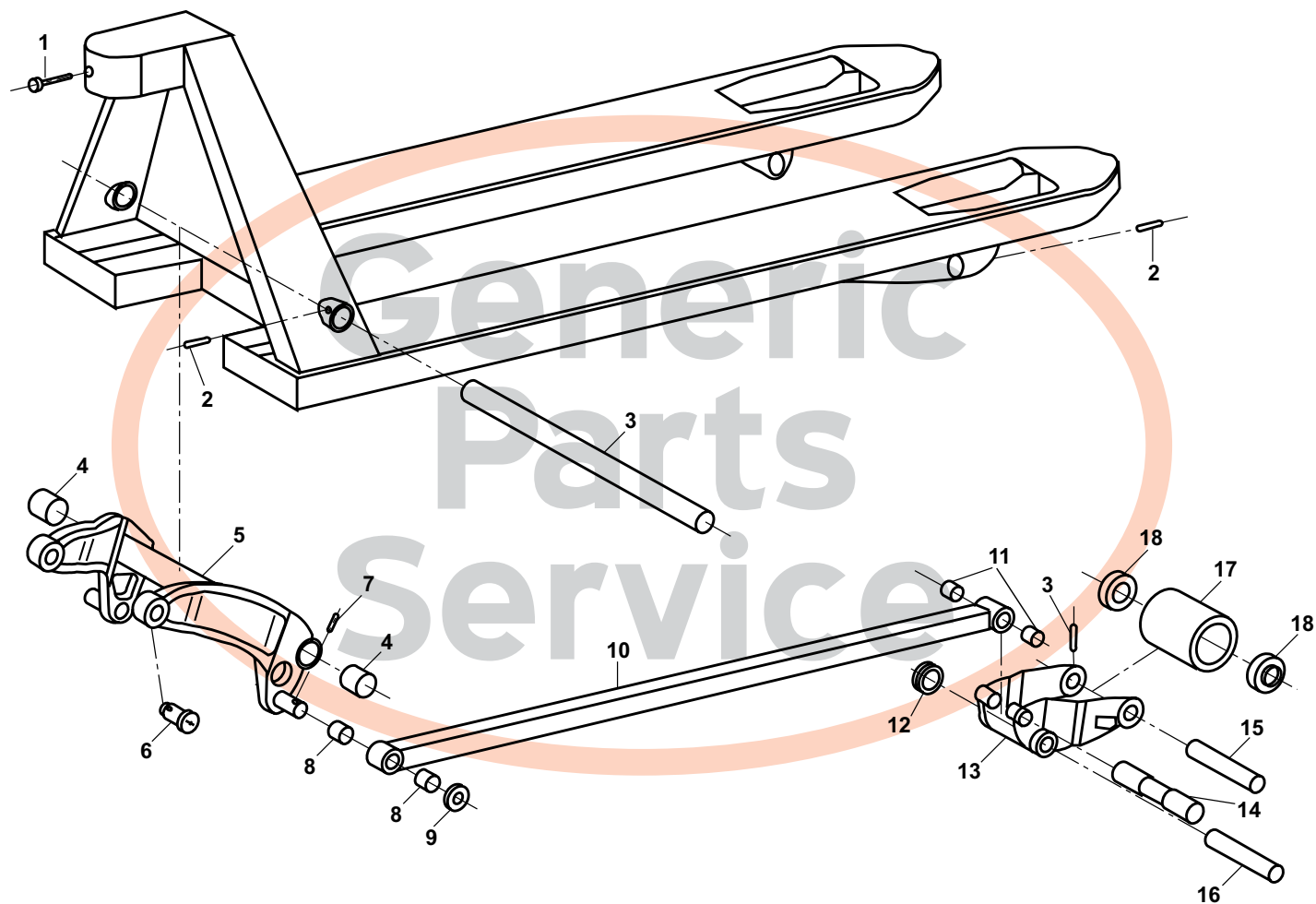
The older style, part number HU BI BS-55-0, uses the steer wheel axle with ears, part number 02103774. The newer style, HU BI BS-55-1, uses the steer wheel axle without ears, part number 12003710-1 or 12003710-2. Please be sure to take note of which hydraulic unit you need before ordering.

Bishamon BS-55 Hydraulic Unit

Item	Part No.	Description
1	02103814	Handle Frame
	02103804	Handle Assembly
	02108950	Handle Assembly - Newer Style
2	90980622	Roll Pin
3	52103804	Handle Cap
4	12003943	Control Lever
5	90980514	Roll Pin
6	12003953	Locking Lever
7	12103964	Control Rod (Newer Style, Serial # 305005 and Higher)
8	80839000	Master Link
9	02008474	Chain W/ Rod
10	52003983	Spring Clip
11	90930708	Washer
12	90931508	Adjusting Nut
13	12103963	Control Rod (Old Style to Serial # 305004)
14	90930106	Nut
15	90930506	Lock Washer
16	12003973	Nut
17	80830004	Chain
18	12003983	Lower Control Rod
19	12003913	Handle Bolt (Right Hand Thread)
20	12003923	Handle Bolt (Left Hand Thread)
21	90820530	Roll Pin
22	12003914	Handle Pin
23	12003853	Pin
24	90980325	Roll Pin
25	12003843	Roller
26	81710121	Bushing
27	81916201	Bushing
28	12003463	Screw Plug
29	A,B 80800411	O-Ring
30	A 52003493	Spring
31	A 12003473	Valve
32	A 12003483	Valve Seat
33	A,B 80800005	O-Ring
34	A,B 80843022	Ball
35	90980835	Roll Pin
36	A 52003463	Spring
37	12003493	Release Pin
38	A,B 80800002	O-Ring

Item	Part No.	Description
39	A,B 80800010	O-Ring
40	12003503	Release Pin Guide
41	52003513	Rubber Bushing
42	12003513	Foot Pedal
43	90962820	Set Screw
44	90930308	Nut
45	A,B 80800260	O-Ring
46	12003533	Filler Plug
47	A,B 80800023	O-Ring
48	12003633	Pump Cylinder
49	A,B 52003643	U-Cup
50	12003645	Piston
51	A,B 52003633	Scraper
52	52103653	Spring
53	12003653	Spring Cap
54	80848009	Snap Ring
55	12003604	Bearing Cup
56	80845015	Snap Ring
57	81251205	Thrust Bearing
58	12003593	Thrust Collar
59	80846031	Snap Ring
60	80846037	Snap Ring
61	A,B 52103553	Scraper
62	12103553	Top Nut
63	12049564	Ram
64	A,B 80800128	O-Ring
65	12013574	Piston Bushing
66	A,B 52013563	U-Cup
67	12003583	Washer
68	52103663	Spring
69	12103613	Ball Seat
70	A,B 80800006	O-Ring
71	A 80843015	Ball
72	12103624	Relief Seat
KITS A	52103704-Super	Super Seal Kit
KITS B	52103704	Complete Seal Kit
	HU BI BS-55-0	Rebuilt Hydraulic Unit (Older Model) - Exchange
	HU BI BS-55-1	Rebuilt Hydraulic Unit (Newer Model) - Exchange

Blue Giant MT-50 Frame

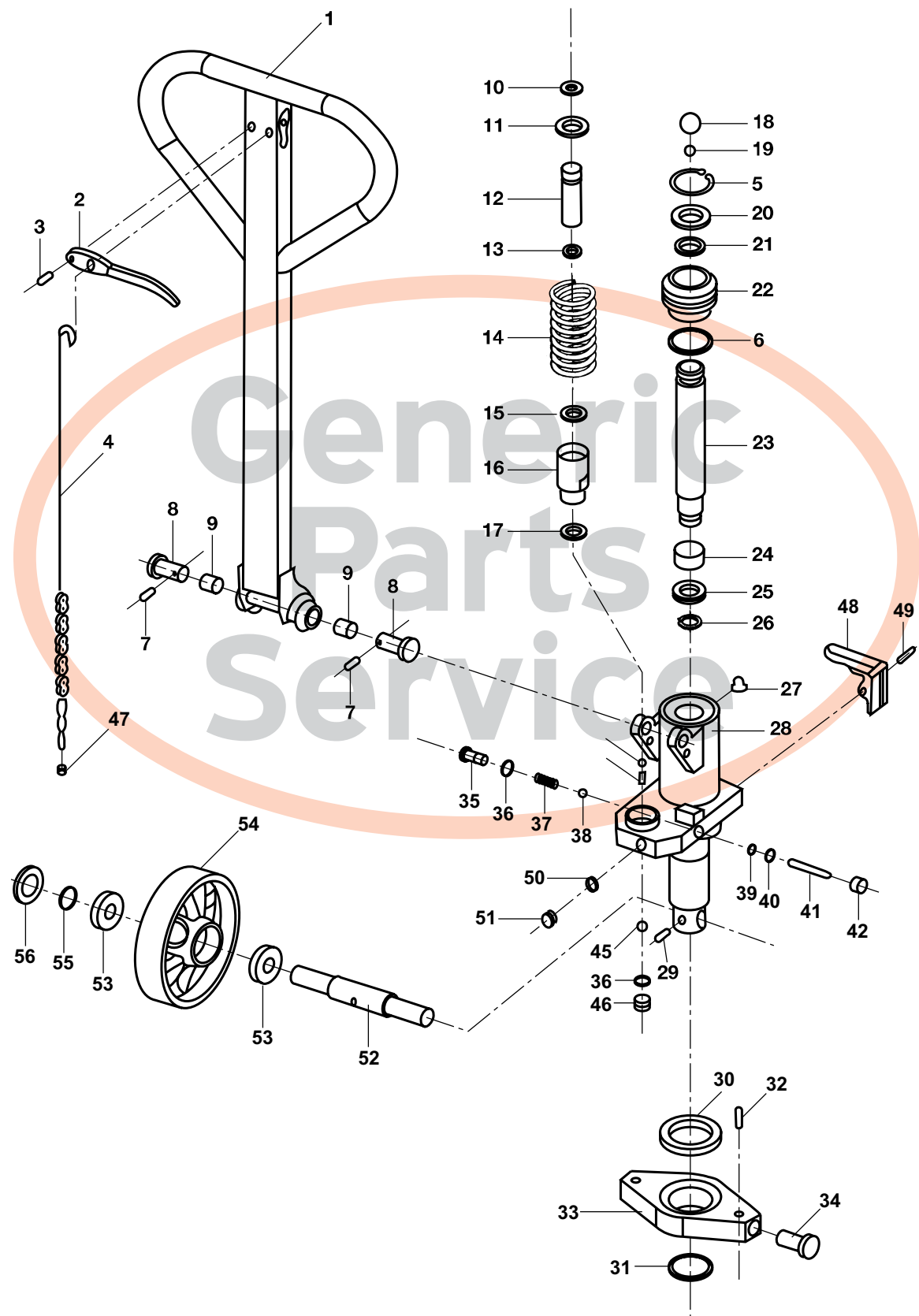


Blue Giant MT-50 Frame

Item	Part No.	Description
1	906-0100	Bolt
2	906-0076	Roll Pin
3	906-0074	Lifting Link Shaft, for 27" Wide Jack
4	906-0017	Bushing
5	906-0101	Lifting Link, for 27" Wide Jack
6	906-0046	Shoulder Pin
7	906-0042	Cotter Pin
8	906-0018	Bushing
9	906-0048	Washer
10	906-0085	Push Rod, 48" Fork
11	906-0022	Bushing
12	906-0004	Exit Roller

Item	Part No.	Description
13	906-0095	Load Roller Bracket
14	906-0015	Push Rod Axle
15	906-0013	Load Roller Axle
16	906-0014	Pivot Axle
17	906-0023-D-A	Load Roller Assembly, Red Ultra-Poly On Aluminum Hub W/ Bearings
	906-0023-P-A	Load Roller Assembly, Black Ultra-Poly On Steel Hub W/ Bearings
	906-0023-N-A	Load Roller Assembly, Nylon W/ Bearings
	906-0023-S-A	Load Roller Assembly, Steel W/ Bearings
18	906-0041	Ball Bearing

Blue Giant MT-50 Hydraulic Unit

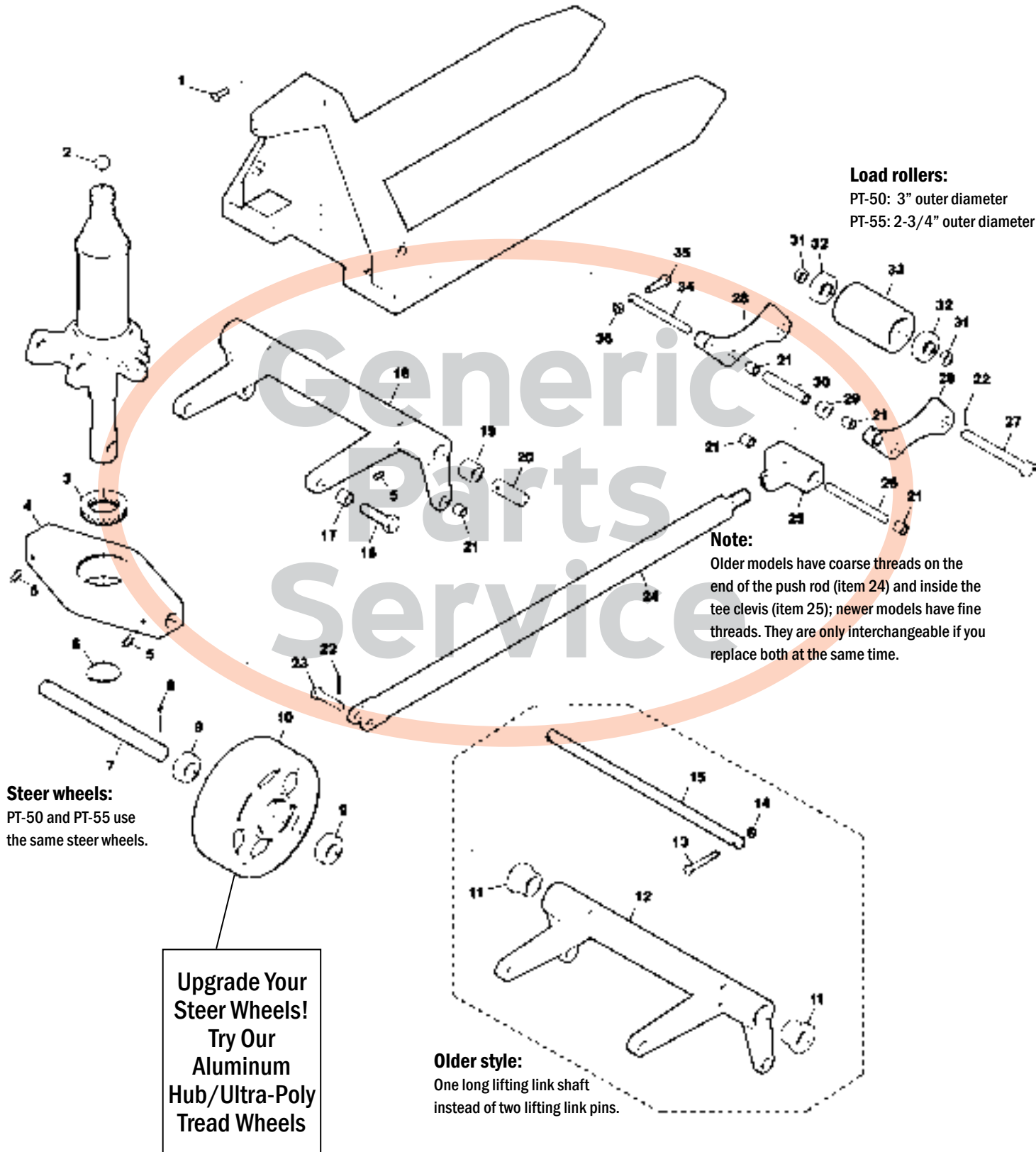


Blue Giant MT-50 Hydraulic Unit

Item	Part No.	Description
1	906-5006	Handle Assembly
2	904-0149	Release Lever
3	906-0012	Roll Pin
4	904-0151-NEW	Control Rod, Complete W/ Chain
	904-0151-OLD	Control Rod, Complete W/ Chain (27-1/2" Rod, 35-1/4" Overall)
5	906-0025	Locking Ring
6	A 906-0002	O-Ring
7	906-0039	Roll Pin
8	906-0054	Handle Pin
9	906-0057	Bushing
10	906-0072	Circlip
11	906-0027	Washer
12	906-0065	Pump Piston
13	A 906-0026	U-Cup
14	906-0070	Spring
15	A 906-0006	Oil Scraper
16	906-0059	Pump Cylinder
17	A 906-0007	Copper Washer
18	018-523-99	Ball
19	906-1000	Ball
20	A 906-0005	Oil Scraper
21	A 906-0003	O-Ring
22	906-0058	Top Nut
23	906-0081	Lifting Piston
24	906-0000	Metal Bushing
25	A 906-0051	U-Cup
26	906-0056	Snap Ring
27	906-0037	Oil Plug
28	906-0035	Pump Housing
29	906-0071	Roll Pin
30	906-0089	Thrust Bearing
31	906-0093	Circlip

Item	Part No.	Description
32	906-0049	Roll Pin
33	906-0097	Traverse
34	906-0046	Shoulder Pin
35	906-0062	Collar Screw - Long
36	A 906-0028	Copper Washer
37	906-0036	Valve Spring
38	906-0066	Ball
39	A 906-0011	Quad Ring
40	A 906-0009	U-Cup
41	906-0061	Release Pin
42	906-0060	Valve Screw
43	906-0031	Ball
44	906-0032	Valve Spring
45	906-0067	Ball
46	906-0033	Collar Screw - Short
47	906-0073	Adjusting Nut
48	906-0080	Lowering Valve Arm
49	906-0008	Roll Pin
50	A 906-0030	Copper Washer
51	906-0029	Screw
52	906-0077	Steer Wheel Axle
53	906-0075	Bearing
54	906-0078-A-HD	Steer Wheel Assembly, Red Ultra-Poly On Aluminum Hub W/ Bearings
	906-0078-A-ST	Steer Wheel Assembly, Black Poly On Nylon Hub W/ Bearings
	904-0154	Steer Wheel Assembly, Nylon W/ Bearings
55	906-0019	Snap Ring
56	906-0055	Hub Cap
KITS	A 906-0102	Complete Seal Kit
	HU BG MT 50	Rebuilt Hydraulic Unit - Exchange

Blue Giant PT-50 and PT-55 Frame

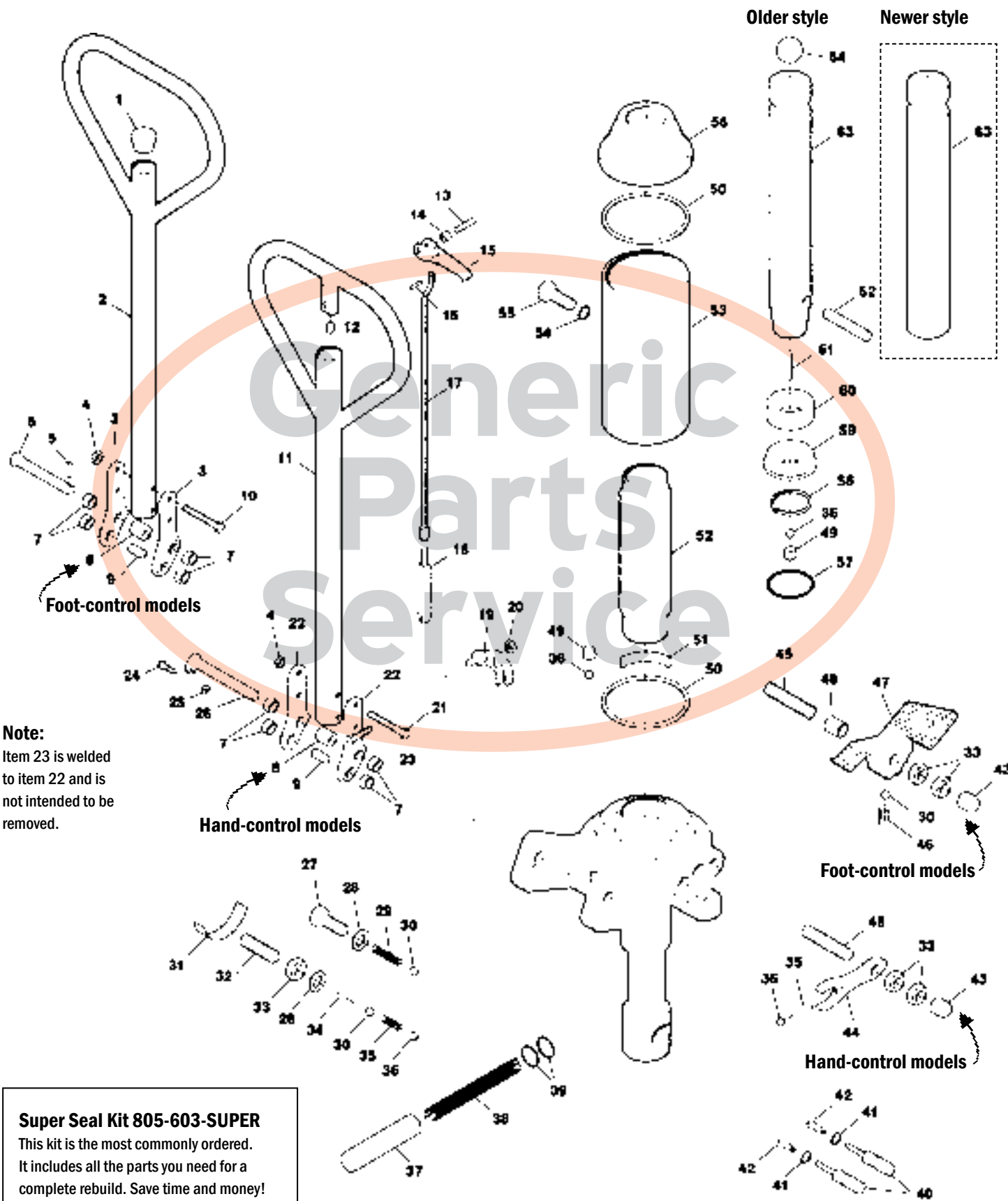


Blue Giant PT-50 and PT-55 Frame

Item	Part No.	Description
1	010-054	Screw
2	018-523	Ball
3	018-516	Traverse Bearing
4	780-185	Traverse Assembly
5	014-016	Set Screw
6	013-039	Snap Ring
7	107-200	Steer Wheel Axle
8	013-025	Cotter Pin
9	018-557	Bearing
10	020-034-A-HD	Steer Wheel Assembly, Red Ultra-Poly On Aluminum Hub W/ Bearings (PT-50)
	020-034-A-ST	Steer Wheel Assembly, Black Poly On Nylon Hub W/ Bearings (PT-50)
	020-034-N-A	Steer Wheel Assembly, Nylon W/ Bearings (PT-50)
	107-238-A	Steer Wheel Assembly, Steel W/ Bearings (PT-50)
	300-027-A-HD	Steer Wheel Assembly, Red Ultra-Poly On Aluminum Hub W/ Bearings (PT-55)
	300-027-A-ST	Steer Wheel Assembly, Black Poly On Nylon Hub W/ Bearings (PT-55)
	300-027-N-A	Steer Wheel Assembly, Nylon W/ Bearings (PT-55)
	107-238-A	Steer Wheel Assembly, Steel W/ Bearings (PT-55)
11	018-013	Bushing (Flanged)
12	805-842	Lifting Link, 27" Wide Jack
13	010-053	Bolt
14	011-552	Nut
15	104-055	Lifting Link Shaft, 20-1/2" Wide Jack
	104-057	Lifting Link Shaft, 27" Wide Jack
16	010-064	Bolt

Item	Part No.	Description
17	018-007	Bushing
18	811-074	Lifting Link, 27" Wide Jack
19	018-071	Bushing
20	110-046	Lifting Link Pin
21	018-001	Bushing
22	013-010	Roll Pin
23	107-196	Pin
24	789-127	Push Rod, 48" Forks (Fine Thread)
25	790-426	Tee Clevis (Fine Thread)
	796-083	Tee Clevis (Course Thread)
26	106-172	Push Rod Axle
27	106-170	Load Roller Axle
28	805-604	Load Roller Bracket (Pair, Includes Item 21)
29	104-054	Exit Roller
30	108-330	Sleeve
31	106-046	Split Ring
32	018-500	Bearing (OEM Wheel Only)
33	103-297-A-D	Load Roller Assembly, Red Ultra-Poly On Aluminum Hub W/ Bearings, 3" Dia. (PT-50)
	103-297-A	Load Roller Assembly, Black Ultra-Poly On Steel Hub W/ Bearings, 3" Dia. (PT-50)
	103-297-N-A	Load Roller Assembly, Nylon, 3" Dia. (PT-50)
	103-160-A	Load Roller Assembly, Steel, 3" Dia. (PT-50)
	300-034-A	Load Roller Assembly, Black Ultra-Poly On Steel Hub W/ Bearings, 2-3/4" Diameter (PT-55)
34	106-169	Pivot Axle
35	010-087	Screw
36	011-545	Adjusting Nut

Blue Giant PT-50 and PT-55 Hydraulic Unit



Note:
Item 23 is welded to item 22 and is not intended to be removed.

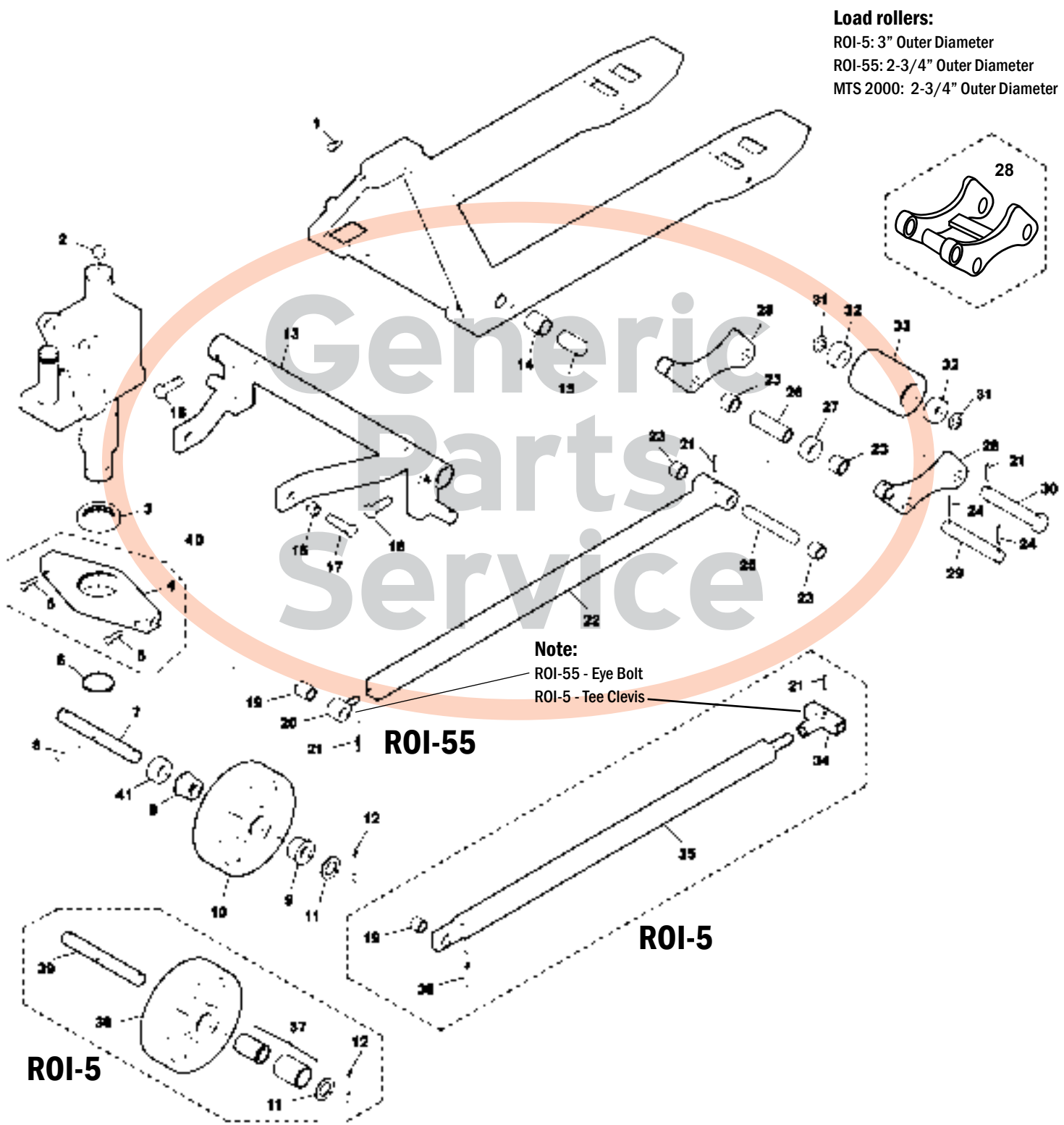
Super Seal Kit 805-603-SUPER
This kit is the most commonly ordered. It includes all the parts you need for a complete rebuild. Save time and money!

Blue Giant PT-50 and PT-55 Hydraulic Unit

Item	Part No.	Description
1	037-011	Handle Plug
2	796-463	Handle Frame
3	805-622	Handle Bracket (Pair)
	805-621-M	Handle Bracket, Single Piece Replacement
4	011-552	Nut
5	013-010	Roll Pin
6	107-797	Handle Pin
7	018-001	Bushing
8	108-314	Roller
9	108-319	Pin
10	010-094	Bolt
11	794-476	Handle Frame
12	014-016	Set Screw (Newer Style - Serial # 78109537 & Higher)
	014-002	Set Screw (Older Style - Serial # 78109536 & Lower)
13	108-219	Pin
14	108-222	Spacer
15	108-216	Control Lever
16	104-063	Roll Pin
17	792-425	Control Rod
18	792-424	Lower Control Rod
19	108-217	Release Lever
20	011-569	Nut
21	010-082	Bolt
22	805-621	Handle Bracket (Pair)
	805-621-M	Handle Bracket, Single Piece Replacement
23	N/A	Bolt (Do Not Remove)
24	010-095	Screw
25	012-254	Shim
26	794-364	Handle Pin
27	010-031	Screw Plug
28	AB 104-008	Washer
29	AB 104-064	Spring
30	ABC 105-734	Ball
31	A 036-069	Tape Seal, Roll
32	014-046	Screw Plug
33	011-520	Nut
34	AB 104-006	Spring
35	AB 104-065	Spring

Item	Part No.	Description
36	ABC 105-733	Ball
37	A 103-315	Piston
38	AB 104-021	Spring
39	ABC 036-043	O-Ring
40	AB 797-489	Valve
41	ABC 036-035	O-Ring
42	AB 104-066	Spring
43	037-017	Plastic Cover
44	108-215	Pedal Plate
45	104-072	Stud
46	AB 104-060	Spring
47	797-490	Foot Pedal
48	018-075	Bushing
49	AB 104-069	Ball Retainer
50	ABC 106-566	Washer
51	106-903	Magnetic Tape
52	104-068	Sleeve (Older Style)
	119-816	Sleeve (Newer Style)
53	104-067	Reservoir Housing
54	ABC 107-781	O-Ring
55	010-054	Screw
56	104-074	Top Nut
57	ABC 036-042	O-Ring
58	AB 013-036	Snap Ring
59	ABC 036-038	U-Cup (Older Style)
	ABC 036-206	U-Cup (Newer Style)
60	104-071	Sleeve
61	AB 104-063	Roll Pin
62	ABC 104-070	Pin
63	104-076	Ram (Older Style)
	119-817	Ram (Newer Style)
64	018-523	Ball
KITS A	805-603-SUPER	Super Seal Kit
KITS B	805-603	Complete Seal Kit
KITS C	805-603-SLIM	Slim Seal Kit
	HU BG PT50-F	Rebuilt Hydraulic Unit, Foot Control Type, Model PT-50 / PT-55 - Exchange
	HU BG PT50-H	Rebuilt Hydraulic Unit, Hand Control Type, Model PT-50 / PT-55 - Exchange

Blue Giant ROI-5, ROI-55 and MTS 2000 Frame

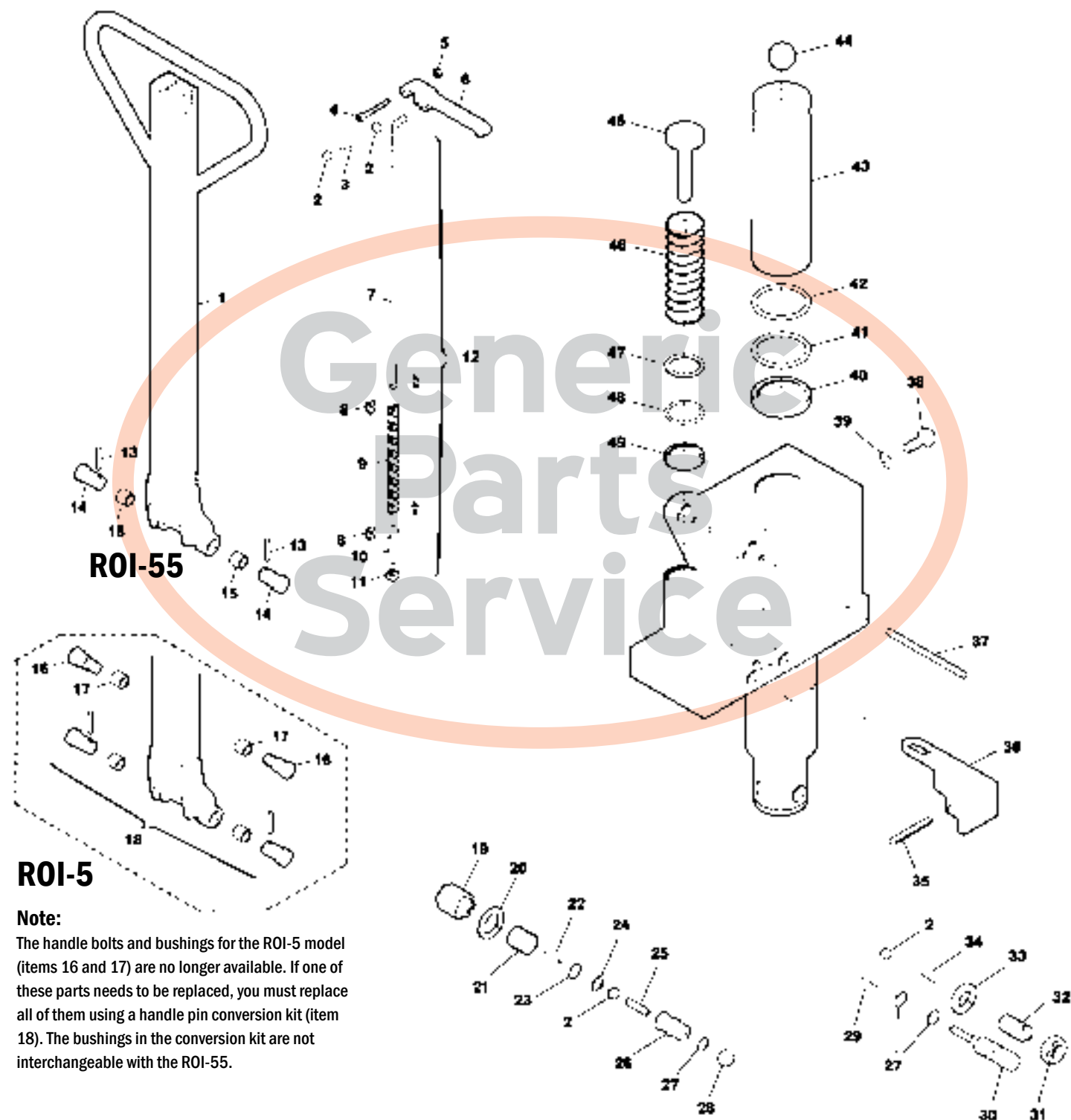


Blue Giant ROI-5, ROI-55 and MTS 2000 Frame

Item	Part No.	Description
1	010-054	Screw
2	018-523	Ball
3	018-516	Traverse Bearing
4	780-185	Traverse, see #40
5	014-016	Set Screw
6	013-039	Snap Ring
7	107-200	Steer Wheel Axle
8	013-090	Roll Pin
9	018-587	Bearing (Flanged), 1" ID
10	300-027-A-HD	Steer Wheel Assembly, Red Ultra-Poly On Aluminum Hub W/ Bearings (ROI-55)
	300-027-A-ST	Steer Wheel Assembly, Black Poly On Nylon Hub W/ Bearings (ROI-55)
	300-027-N-A	Steer Wheel Assembly, Nylon W/ Bearings (ROI-55)
	300-040-A-HD	Steer Wheel Assembly, Red Ultra-Poly On Aluminum Hub W/ Bearings (MTS 2000)
	300-040-A-ST	Steer Wheel Assembly, Black Poly On Nylon Hub W/ Bearings (MTS 2000)
	300-040-N-A	Steer Wheel Assembly, Nylon W/Bearings (MTS 2000)
11	111-141	Washer
12	013-025	Cotter Pin
13	782-319	Lifting Link, 27" Wide Jack (ROI-55)
	790-493	Lifting Link, 27" Wide Jack (ROI-5)
	782-320	Lifting Link, 20-1/2" Wide Jack (MTS 2000)
	782-319	Lifting Link, 27" Wide Jack (MTS 2000)
14	018-071	Bushing
15	110-046	Lifting Link Pin
16	018-007	Bushing - ROI-55
	018-001	Bushing - ROI-5
17	010-064	Bolt
18	014-016	Set Screw
	010-095	Screw

Item	Part No.	Description
19	018-001	Bushing
20	782-321	Eye Bolt
21	013-010	Roll Pin
22	782-548	Push Rod, 48" Forks
23	018-001	Bushing
24	013-066	Roll Pin
25	106-172	Push Rod Axle
26	108-330	Sleeve
27	104-054	Exit Roller
28	805-604	Load Roller Bracket (Pair) Includes Item 23 (ROI-5)
	300-773	Load Roller Bracket, 1 Piece, Includes Item 23
29	300-019	Pivot Axle
30	106-170	Load Roller Axle
31	106-046	Split Ring
32	018-500	Bearing (OEM Wheel Only)
33	300-000-A-D	Load Roller Assembly, Red Ultra-Poly On Aluminum Hub W/ Bearings, 3" Diameter (ROI-5)
	300-000-A	Load Roller Assembly, Black Ultra-Poly On Steel Hub W/ Bearings, 3" Diameter (ROI-5)
	300-000-N-A	Load Roller Assembly, Nylon W/ Bearings, 3" Diameter (ROI-5)
	300-034-A	Load Roller Assembly, Black Ultra-Poly On Steel Hub W/ Bearings, 2-3/4" Diameter (ROI-55)
34	790-426	Tee Clevis (Fine Thread)
35	789-195	Push Rod, 48" Forks, Replace with items 20 and 22
36	013-025	Cotter Pin
37	111-077	Roller Bearing and Sleeve
38	111-078-N-A	Steer Wheel Assembly, Nylon
39	107-200	Steer Wheel Axle
40	780-185	Traverse Assembly, replaces #4
41	012-289	Spacer (MTS 2000)

Blue Giant ROI-5, ROI-55 & MTS 2000 Hydraulic Unit



ROI-5

Note:

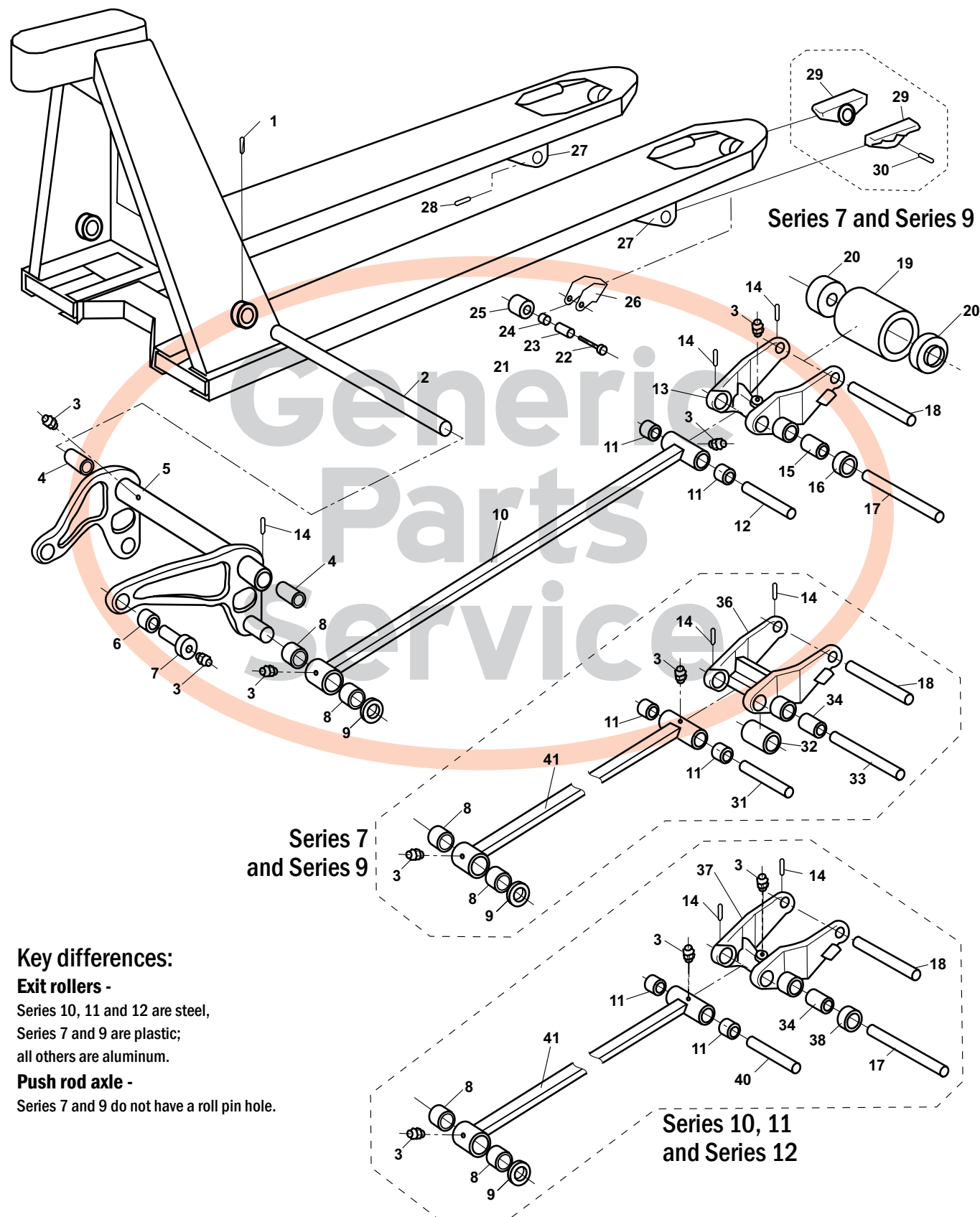
The handle bolts and bushings for the ROI-5 model (items 16 and 17) are no longer available. If one of these parts needs to be replaced, you must replace all of them using a handle pin conversion kit (item 18). The bushings in the conversion kit are not interchangeable with the ROI-55.

Blue Giant ROI-5, ROI-55 & MTS 2000 Hydraulic Unit

Item	Part No.	Description
1	790-491	Handle Assembly (Includes Items 1 - 11 & 15)
2	A 105-733	Ball
3	111-038	Spring
4	011-094	Screw
5	011-565	Nut
6	111-039	Control Lever
7	111-041	Control Rod
8	111-067	Master Link
9	111-042	Chain
10	111-107	Chain Connector
11	011-545	Adjusting Nut
12	790-488	Control Rod and Chain Assembly
13	013-007	Roll Pin
14	111-147	Handle Pin
15	018-007	Bushing
16	See Item 18	(See Note on Drawing)
17	See Item 18	(See Note on Drawing)
18	117-888	Handle Pin Conversion Assembly
19	111-138	Cap Nut
20	A 012-277	Washer
21	111-137	Screw Plug
22	A 111-086	Spring
23	A 036-100	O-Ring
24	017-036	Washer
25	A 111-018	Roll Pin
26	A 111-017	Valve

Item	Part No.	Description
27	A 036-035	O-Ring
28	A 105-734	Ball
29	A 111-085	Spring
30	A 790-481	Valve
31	011-519	Nut
32	014-051	Screw Plug
33	A 111-004	Washer
34	A 111-140	Spring
35	013-010	Roll Pin
36	111-002	Foot Pedal
37	013-090	Roll Pin
38	010-054	Screw
39	A 107-781	O-Ring
40	A 036-099	U-Cup
41	A 111-010	O-Ring
42	A 036-125	O-Ring
43	111-022	Ram
44	018-523	Ball
45	790-483	Piston
46	111-023	Spring
47	A 036-095	Scraper
48	A 036-096	O-Ring
49	A 036-097	U-Cup
KITS	A 810-456	Complete Seal Kit
	HU BG ROI 5/55	Rebuilt Hydraulic Unit - Exchange

BT L 2000 and L 2300 Frame



Key differences:

Exit rollers -
Series 10, 11 and 12 are steel,
Series 7 and 9 are plastic;
all others are aluminum.

Push rod axle -
Series 7 and 9 do not have a roll pin hole.

BT L 2000 and L 2300 Frame

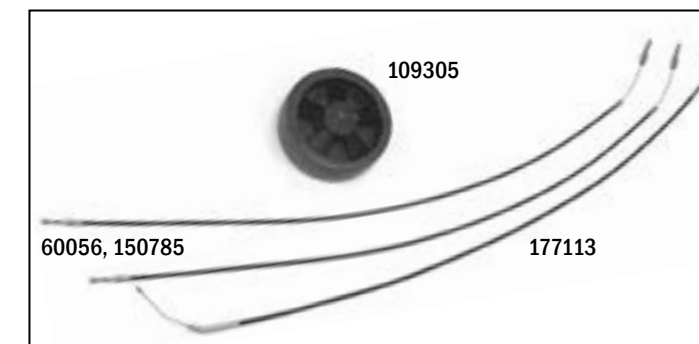
Item	Part No.	Description
1	22128	Roll Pin
2	47157	Lifting Link Shaft, 27" Wide Jack
3	20026	Grease Fitting (Threaded)
	27662	Grease Fitting (Press-In)
4	47167	Bushing
5	64183	Lifting Link, 27" Wide Jack
6	30018	Bushing
7	127304	Shoulder Pin, Series 10
	166701	Shoulder Pin, Series 11 and 12
8	30023	Bushing
9	20013	Washer
10	48264	Push Rod, 48" Forks
11	47117	Bushing
12	47120	Push Rod Axle
13	47137	Load Roller Bracket
14	20001	Roll Pin
15	30024	Bushing
16	58027	Exit Roller (Steel, 11.5 to 12mm Thick)
17	47134	Pivot Axle
18	179393	Load Roller Axle (Stainless Steel)
	111257	Load Roller Axle
19	167605-D	Load Roller Assembly, Red Ultra-Poly On Aluminum Hub W/ Bearings, 3-1/4" Dia.
	167605	Load Roller Assembly, Black Ultra-Poly On Steel Hub W/ Bearings, 3-1/4" Dia.
	167602	Load Roller Assembly, Nylon W/ Bearings, 3-1/4" Dia.
	167601	Load Roller Assembly, Steel W/ Bearings
	GWK-BTL-LW	Load Wheel Kit, (2) Black Ultra-Poly (70D), Load Roller Assemblies, W/ Bearings, Axles & Fasteners

Item	Part No.	Description
20	167630	Bearing, 47 mm OD (Newer Style)
	22053	Bearing, Older Style Wheel
21	21385-A	Axle Assembly
22	21385	Bolt
23	47151	Sleeve
24	20433	Nut
25	47150	Entry Roller
26	47110	Entry Roller Bracket
27	47135	See Item 29, Part #119911
28	20014	See Item 30, Part #27921
29	119911	Ear-Weldment
	47135	Ear-Weldment
30	27921	Roll Pin
31	110777	Push Rod Axle
32	105369	Exit Roller (Nylon)
33	109478	Pivot Axle
34	51805	Bushing
36	128539	Load Roller Bracket
37	130750	Load Roller Bracket, Series 10
	149466	Load Roller Bracket, Series 11 and 12
38	65601	Exit Roller (Steel, 9.5 to 10mm Thick)
40	126131	Push Rod Axle
41	109566-122	Push Rod, 48" Forks, Series 10
	157213	Push Rod, 48" Forks, Series 11 and 12
*	60056	Brake Cable Assembly (up to Series 10)
*	150785	Brake Cable Assembly (Series 11)
*	177113	Brake Cable Assembly (Series 12)
*	109305	Brake Wheel, Poly On Steel, Closed Hub
*	156142	Brake Wheel, Poly On Steel, Open Hub

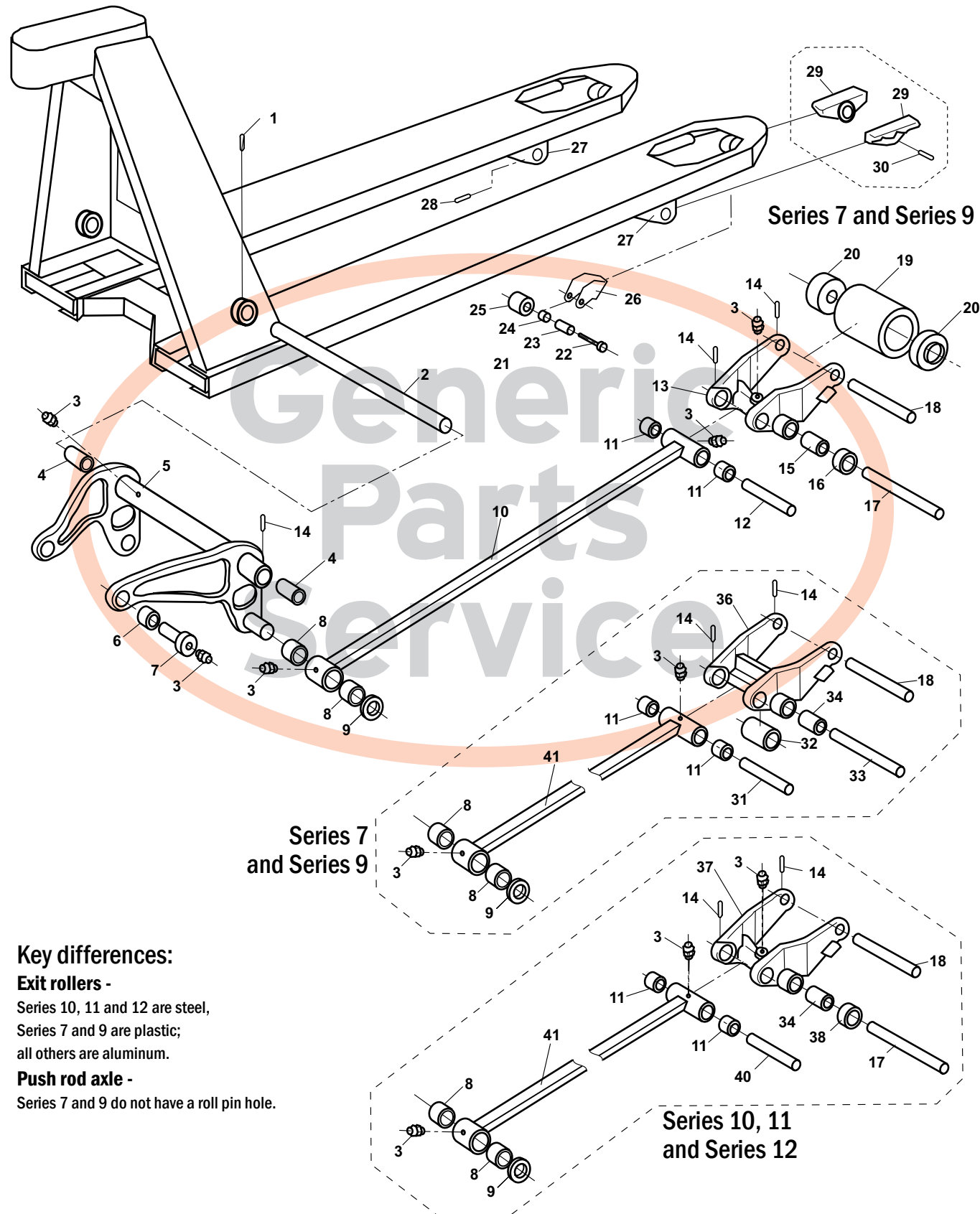
Load Wheel Kit



***Brake Parts for Brake Option Only**



BT L 2000-U and L 2300-U Frame



Key differences:

Exit rollers -
Series 10, 11 and 12 are steel,
Series 7 and 9 are plastic;
all others are aluminum.

Push rod axle -
Series 7 and 9 do not have a roll pin hole.

BT L 2000-U and L 2300-U Frame

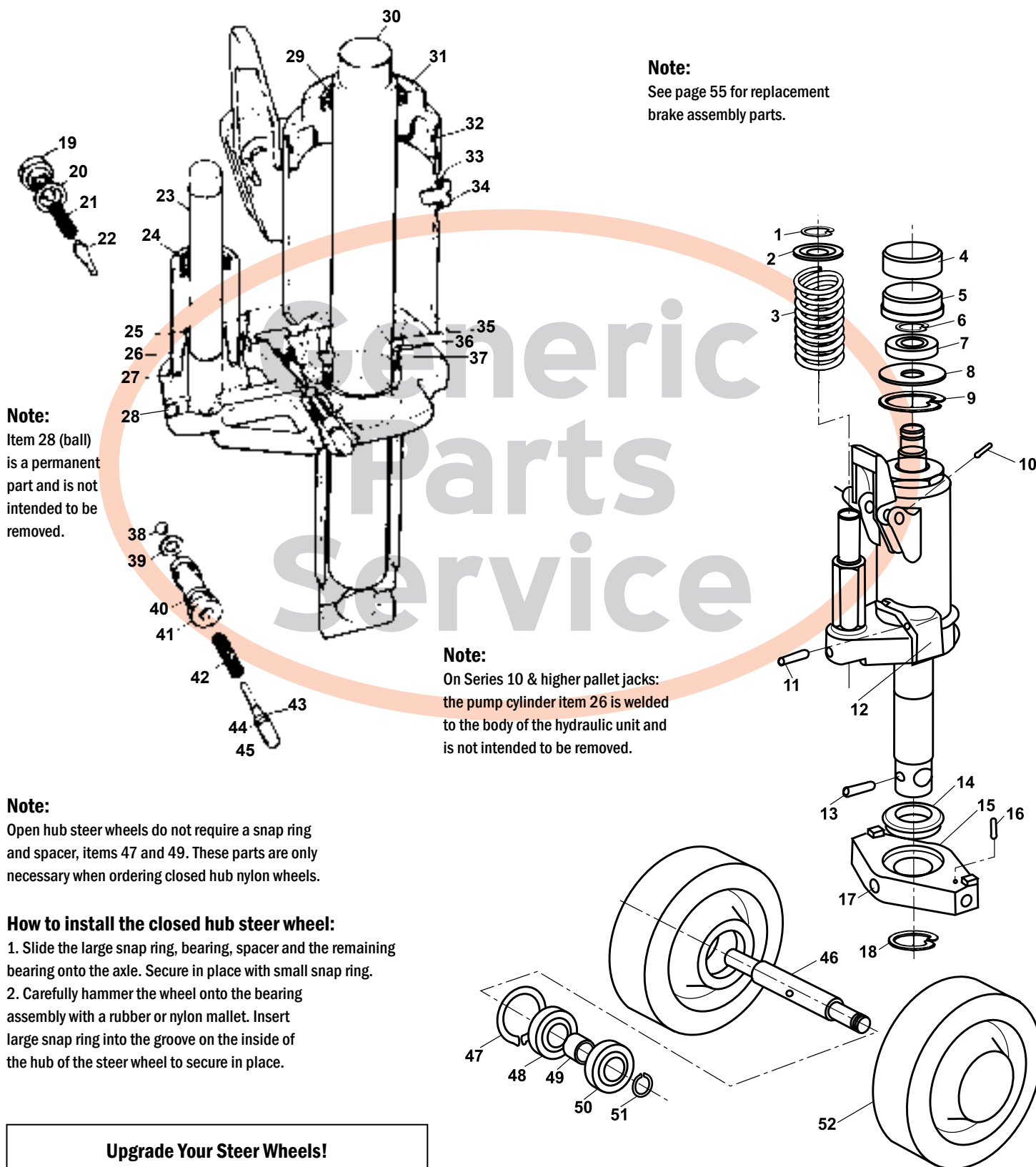
Item	Part No.	Description
1	22128	Roll Pin
2	47157	Lifting Link Shaft, 27" Wide Jack
3	20026	Grease Fitting (Threaded)
	27662	Grease Fitting (Press-In)
4	47167	Bushing
5	64183	Lifting Link, 27" Wide Jack
6	30018	Bushing
7	127304	Shoulder Pin, Series 10
	166701	Shoulder Pin, Series 11 and 12
8	30023	Bushing
9	20013	Washer
10	48264	Push Rod, 48" Forks
11	47117	Bushing
12	47120	Push Rod Axle
13	47137	Load Roller Bracket
14	20001	Roll Pin
15	30024	Bushing
16	58027	Exit Roller (Steel, 11.5 to 12mm Thick)
17	47134	Pivot Axle
18	179393	Load Roller Axle (Stainless Steel)
	111257	Load Roller Axle
19	167609-D	Load Roller Assembly, Red Ultra-Poly On Aluminum Hub W/ Bearings, 2.9" Diameter
	167609	Load Roller Assembly, Black Ultra-Poly On Steel Hub W/ Bearings, 2.9" Diameter
GWK-BTL-LW	167600	Load Roller Assembly, Nylon W/ Bearings, 2.9" Diameter
	15881-D-WA	Load Roller Assembly, Red Ultra-Poly On Aluminum Hub W/ Bearings, 2.9" Diameter Wet Application
	15881-WA	Load Roller Assembly, Black Ultra-Poly On Steel Hub W/ Bearings, 2.9" Diameter, Wet Application
	55002-A	Load Roller Assembly - 2.9" Diameter, Steel
	GWK-BTU-LW	Load Wheel Kit, (2) Black Ultra-Poly (70D), Load Roller Assemblies, W/ Bearings, Axles & Fasteners

Item	Part No.	Description
20	167630	Bearing, 47 mm OD (Newer Style)
	22053	Bearing, Older Style Wheel
21	21385-A	Axle Assembly
22	21385	Bolt
23	47151	Sleeve
24	20433	Nut
25	47150	Entry Roller
26	47110	Entry Roller Bracket
27	47135	See Item 29, Part #119911
28	20014	See Item 30, Part #27921
29	119911	Ear-Weldment
	47135	Ear-Weldment
30	27921	Roll Pin
31	110777	Push Rod Axle
32	105369	Exit Roller (Nylon)
33	109478	Pivot Axle
34	51805	Bushing
36	128539	Load Roller Bracket
37	130750	Load Roller Bracket, Series 10
	149466	Load Roller Bracket, Series 11 and 12
38	65601	Exit Roller (Steel, 9.5 to 10mm Thick)
40	126131	Push Rod Axle
41	109566-122	Push Rod, 48" Forks, Series 10
	157213	Push Rod, 48" Forks, Series 11 and 12

Load Wheel Kit



BT L 2000, L 2300, L 2000-U and L 2300-U Hydraulic Unit



Note:
See page 55 for replacement brake assembly parts.

Note:
Item 28 (ball) is a permanent part and is not intended to be removed.

Note:
On Series 10 & higher pallet jacks: the pump cylinder item 26 is welded to the body of the hydraulic unit and is not intended to be removed.

Note:
Open hub steer wheels do not require a snap ring and spacer, items 47 and 49. These parts are only necessary when ordering closed hub nylon wheels.

How to install the closed hub steer wheel:
1. Slide the large snap ring, bearing, spacer and the remaining bearing onto the axle. Secure in place with small snap ring.
2. Carefully hammer the wheel onto the bearing assembly with a rubber or nylon mallet. Insert large snap ring into the groove on the inside of the hub of the steer wheel to secure in place.

Upgrade Your Steer Wheels!
Try Our Aluminum Hub/Ultra-Poly Tread Wheels

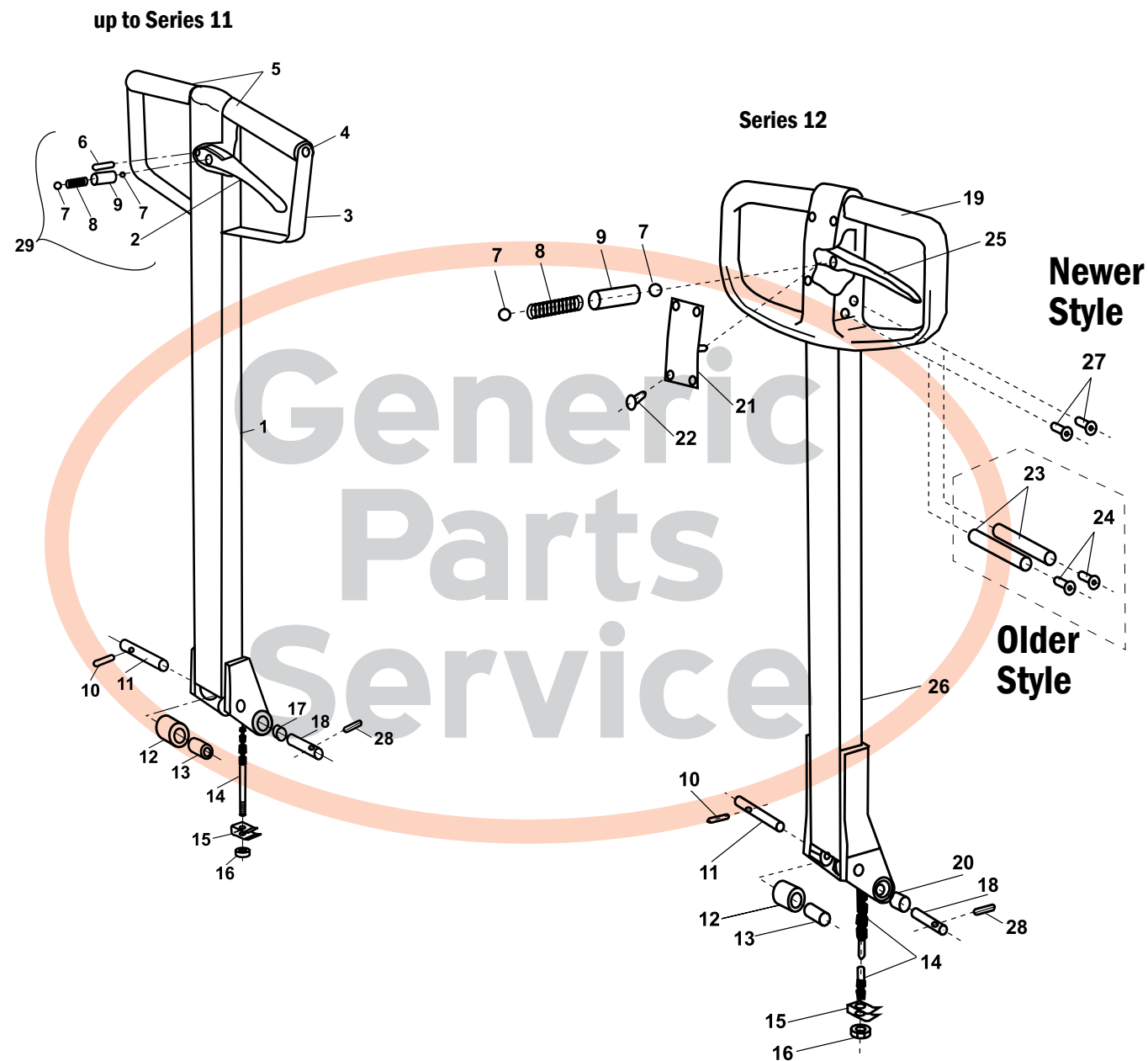
BT L 2000, L 2300, L 2000-U and L 2300-U Hydraulic Unit

Item	Part No.	Description
1	20043	Snap Ring
2	47450	Washer
3	65245	Spring
4	47997	Insert
5	47996	Bearing Cap, Steel
	164675	Bearing Cap (Series 12), Nylon
6	20041	Snap Ring
7	20018	Bearing
8	47995	Washer
9	20076	Snap Ring
10	20071	Roll Pin
11	A B 20104	Roll Pin
12	47070	Release Lever
13	20868	Roll Pin
14	22052	Traverse Bearing
15	47092	Traverse
16	20001	Roll Pin
17	20026	Grease Fitting (Threaded)
18	20011	Snap Ring
19	43713	Screw Plug
20	ABCF 37218	Washer
21	A B 39106	Spring
22	A B 47049	Valve
23	47043	Piston
	130168	Piston (Series 10, 11 and 12)
24	ABCD 21060	Scraper
25	ABCD 21065	U-Cup (Series 10)
	ABCD 22033	U-Cup
26	47042	Pump Cylinder
27	ABCD 47044	Washer
28	N/A	Ball (Do Not Remove)
29	ABCE 20066	Scraper
30	47985	Ram
31	47037	Top Nut
32	ABCE 21024	O-Ring
33	ABCE 21742	Washer
34	20345	Filler Plug
35	A B 20101	Snap Ring
36	A B 47039	Bushing
37	ABCE 22034	U-Cup
38	ABCF 20065	Ball
39	ABCF 47050	Washer
40	ABCF 22032	O-Ring
41	A 129209	Release Pin Guide

Item	Part No.	Description
42	A B 47071	Spring
43	A B 49513	Spring Guide
44	ABCF 22318	Scraper
45	A B 47051	Release Pin
46	47144	Steer Wheel Axle
47	20923	Snap Ring
48	22123	Bearing
49	47149	Spacer
50	20332	Bearing
51	20019	Snap Ring
52	102665-A	Steer Wheel Assembly, Nylon W/ Bearings, Closed Hub
	160422-HD	Steer Wheel Assembly, Red Ultra-Poly On Aluminum Hub W/ Bearings
	160422-ST	Steer Wheel Assembly, Black Poly On Nylon Hub W/ Bearings
	160421	Steer Wheel Assembly, Nylon W/ Bearings
	160433	Steer Wheel Assembly, Steel W/ Bearings
	GWK-BTL-CK	Complete Wheel Kit, 3-1/4" Diameter, (2) Load Roller Assembly, (2) Steer Wheel Assembly W/ Bearings, Axles and Fasteners, Open Hub
	GWK-BTU-CK	Complete Wheel Kit, 2.9" Diameter (2) Ultra-Poly Load Roller Assemblies (70D), (2) Poly Steer Wheel Assemblies, W/Bearings, Axles & Fasteners
53	65245-KIT	Return Spring Kit (Includes Items 1, 2 and 3)
KITS A	129883-SUPER	Super Seal Kit
KITS B	129883	Complete Seal Kit
KITS C	129883-SLIM	Slim Seal Kit
KITS D	130784	Pump Cylinder Kit
KITS D	22306	Pump Cylinder Kit
KITS E	129881	Lift Cylinder Kit
KITS F	129882	Valve Packing Kit
	HU BTL 2000	Rebuilt Hydraulic Unit - Exchange
	BT 131866-AM	New After Market Hydraulic Unit



BT L Series Handles



Note:

Series 11 Handle Assembly (#1) and Series 12 Handle (#26) Assemblies are interchangeable.

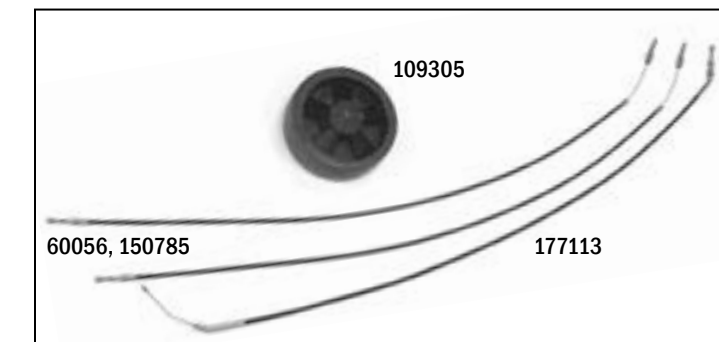
Item #29 can be used as replacement for both handle styles.

BT L Series Handles

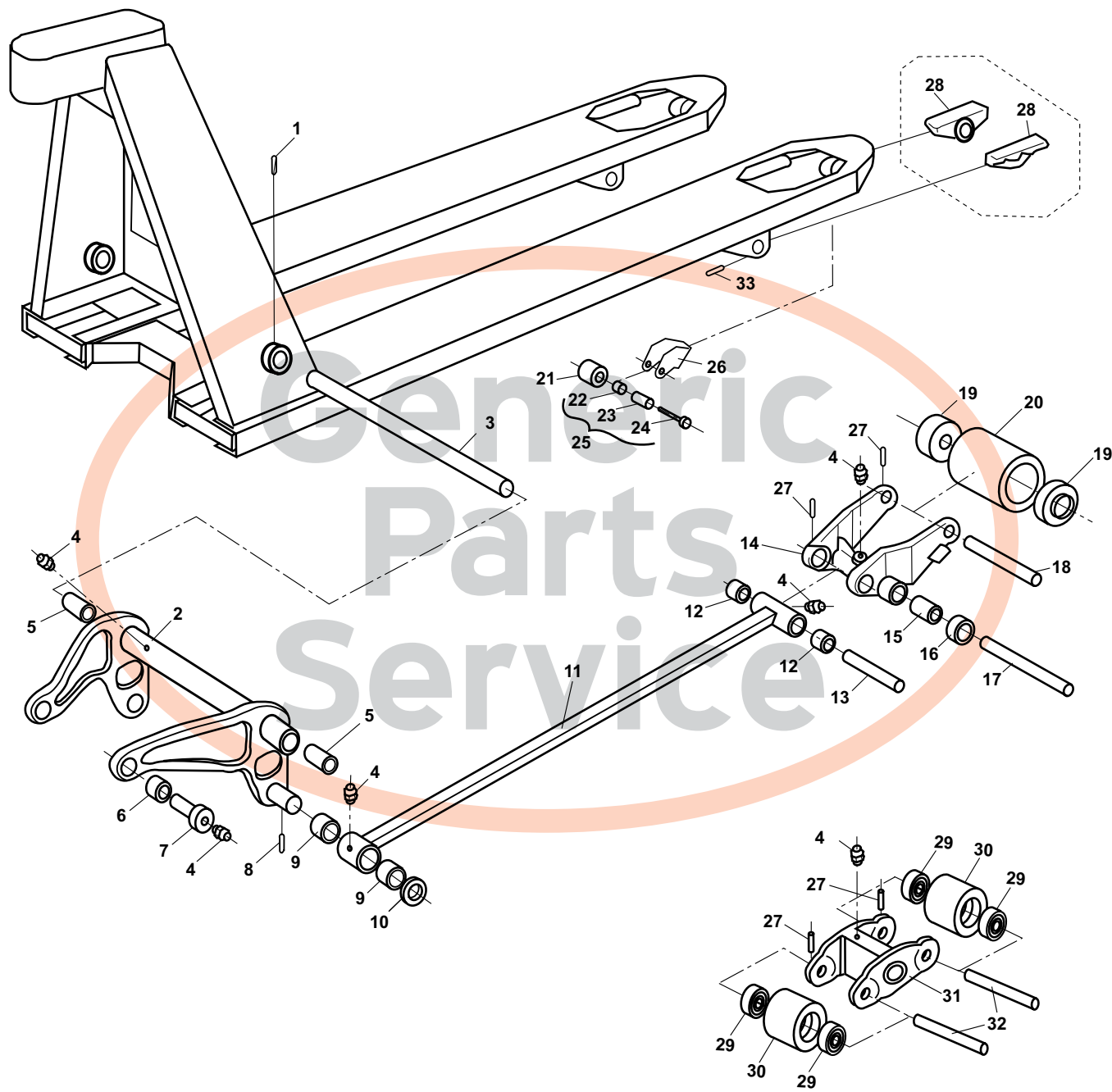
Item	Part No.	Description
1	17470	Handle Assembly (Includes Items 1 - 14; 17)
3	47083	Control Lever
2	47082	Clamp
4	24470	Screw
5	47074	Handle Grip
6	20105	Roll Pin
7	22757	Ball
8	47089	Spring
9	54140	Sleeve
10	20461	Roll Pin
11	47930	Pin
12	47929	Roller
13	22108	Bushing
14	17469	Control Rod and Chain Assembly
	17469-A	Master Link
	17469-B	Chain
	17469-C	Pin
15	42631	Spring Clip
16	21094	Adjusting Nut

Item	Part No.	Description
17	22107	Bushing
18	47931	Handle Pin
19	173752	Handle Loop
20	176827	Bushing
21	173753	Cap
22	177154	Screw
23	176838	Sleeve
24	176914	Screw
25	173754	Control Lever
26	175753	Handle Assembly (Includes 7-14 & 19-27)
27	173764	Plastic Plug
28	20071	Roll Pin
29	210717	Control Lever Kit (Includes items 2, 6-9)
	60056	Brake Cable Assembly (up to Series 10)
	150785	Brake Cable Assembly (Series 11)
	177113	Brake Cable Assembly (Series 12)
	109305	Brake Wheel, Poly On Steel, Closed Hub
	156142	Brake Wheel, Poly On Steel, Open Hub

Brake Parts



BT LHM-230 Frame



BT LHM-230 Frame

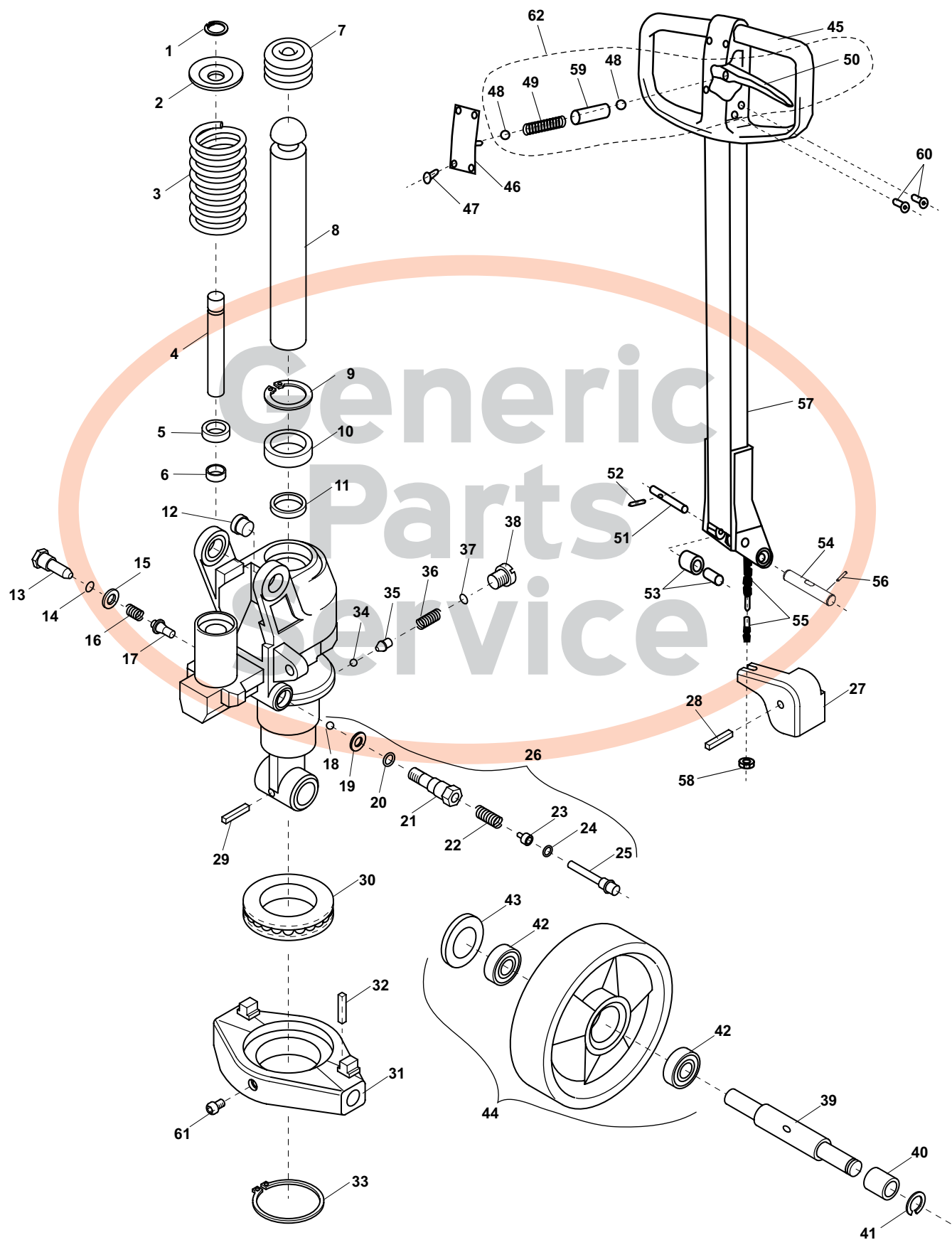
Item	Part No.	Description
1	22128	Roll Pin
2	47157	Lifting Link, 27" Wide Jack
3	64183	Lifting Link Shaft, 27" Wide Jack
4	27662	Grease Fitting (Press-In)
5	47167	Bushing
6	30018	Bushing
7	166701	Shoulder Pin
8	20001	Roll Pin
9	51805	Bushing
10	20013	Washer
11	157213	Push Rod, 48" Forks
12	47117	Bushing
13	126131	Push Rod Axle
14	149466	Load Roller Bracket
15	51805	Bushing
16	66367	Exit Roller
17	47134	Pivot Axle
18	47133	Load Roller Axle
	179393	Load Wheel Axle (Stainless Steel)
19	167630	Bearing
20	167609-D	Load Roller Assembly, Red Ultra-Poly On Aluminum Hub W/ Bearings
	167609	Load Roller Assembly, Black Ultra-Poly On Steel Hub W/ Bearings
	167600	Load Roller Assembly, Nylon W/ Bearings
	15881-D-WA	Load Roller Assembly, Red Ultra-Poly On Aluminum W/ Bearings, Wet Application
	15881-WA	Load Roller Assembly, Black Ultra-Poly On Steel Hub W/ Bearings, Wet Application
	55002-A	Load Roller Assembly, Steel
	GWK-LHM-LW	Load Wheel Kit, (2) Black Ultra-Poly (70D), Load Roller Assemblies, W/ Bearings, Axles & Fasteners

Item	Part No.	Description
21	47150	Entry Roller
22	20433	Nut
23	47151	Sleeve
24	21385	Bolt
25	21385-A	Axle Assembly
26	47110	Entry Roller Bracket
27	20001	Roll Pin
28	47135	Ear-Weldment
29	167630	Bearing
30	167612	Load Roller Assembly, Tandem Black Ultra-Poly On Steel Hub, W/ Bearings
31	179206	Tandem Load Roller Bracket
32	47162	Load Roller Axle, Tandem
33	27921	Roll Pin

Load Wheel Kit



BT LHM-230 Hydraulic Unit



BT LHM-230 Hydraulic Unit

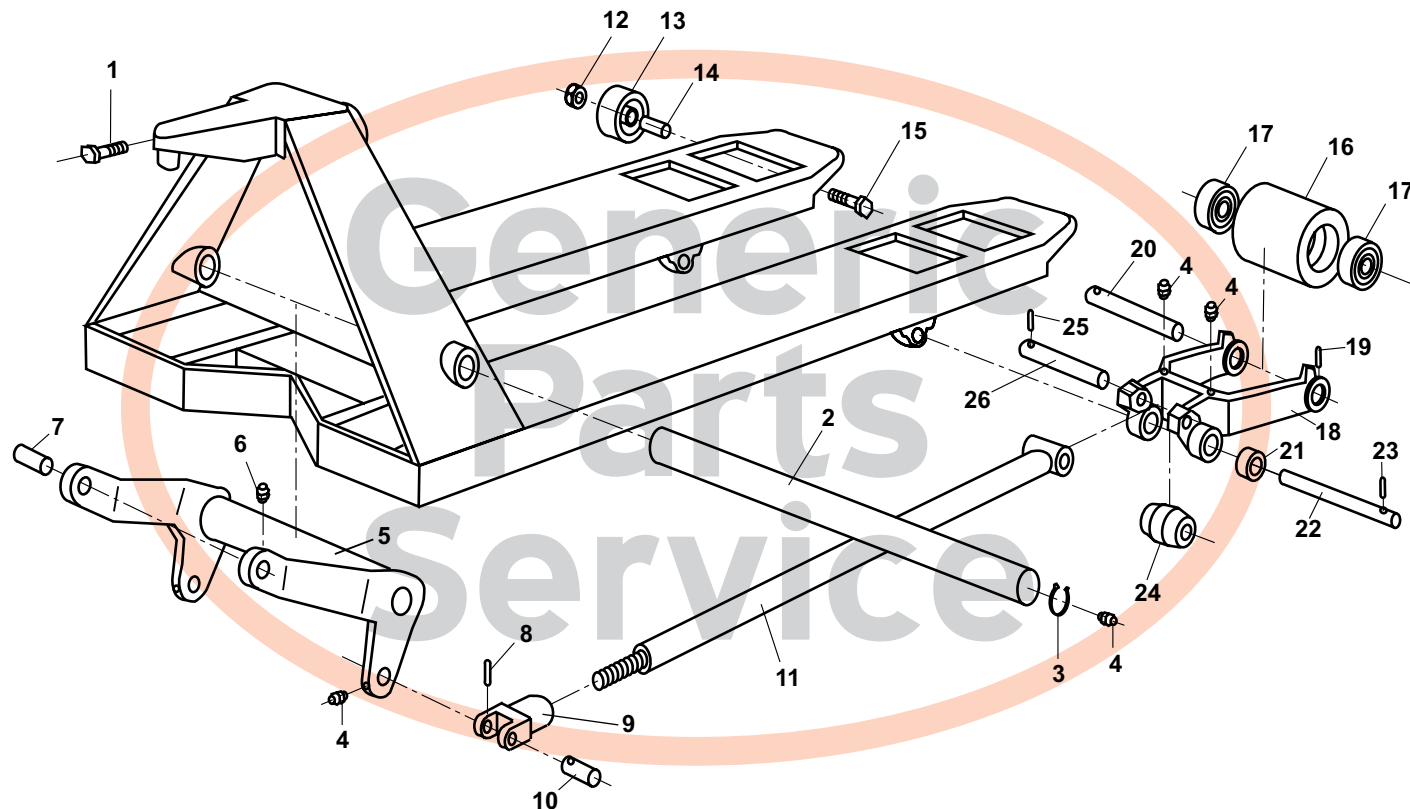
Item	Part No.	Description
1	20043	Snap Ring
2	215282	Washer
3	215156	Spring
4	215286	Piston
5	A 21060	Scraper
6	A 215866	U-Cup
7	215803	Sleeve
8	215030	Piston
9	A 20642	Lock Ring
10	A 20066	Scraper
11	A 215867	U-Cup
12	215913	Bushing
13	221586	Valve Plug
14	A 24213	O-Ring
15	A 219201	Washer
16	A 39106	Spring
17	A 223935	Valve Cone
18	A 20065	Ball
19	A 215288	Washer
20	A 22032	O-Ring
21	223977	Valve Body
22	A 47071	Spring
23	A 49513	Guide
24	A 22318	Scraper
25	A 47051	Release Pin
26	215776	Lowering Valve, Complete (Includes 18 - 25)
27	215128	Lowering Arm
28	A 220312	Roll Pin
29	20001	Roll Pin
30	228275	Thrust Bearing
31	215092	Traverse
32	20001	Roll Pin
33	228129	Lock Ring
34	22055	Ball
35	221231	Guide Pin
36	221227	Spring
37	A 22032	O-Ring
38	223922	Screw
39	220310	Steer Wheel Axle
40	161637	Spacer
41	20019	Lock Ring
42	210062	Bearing
43	156623	Dust Cover

Item	Part No.	Description
44	160422-HD	Steer Wheel Assembly, Red Ultra-Poly On Aluminum Hub W/ Bearings
	160422-ST	Steer Wheel Assembly, Black Poly On Nylon Hub W/ Bearings
	160421	Steer Wheel Assembly, Black Nylon W/ Bearings
	160433	Steer Wheel Assembly, Steel W/ Bearings
	GWK-LHM-CK	Complete Wheel Kit, (2) Ultra-Poly Load Roller Assemblies (70D), (2) Poly Steer Wheel Assemblies, W/ Bearings, Axles & Fasteners
45	173752	Handle Loop
46	173753	Cover
47	177154	Screw
48	20065	Ball
49	218182	Spring
50	173754	Handle Lever
51	47930	Axle
52	20461	Roller Pin
53	202755	Roller / Bushing
54	227911	Axle
55	215775	Control Rod and Chain Assembly
56	20041	Roll Pin
57	215131	Complete Handle Assembly
58	21094	Adjusting Nut
59	54140	Sleeve
60	173764	Plastic Plug
61	27662	Grease Fitting
62	210717	Control Lever Assembly
KITS	A 243772	Seal Kit, Complete
	HU BT LHM230	Rebuilt Hydraulic Unit - Exchange

Complete Wheel Kit



Clark CJ55 Frame



Clark CJ55 Frame

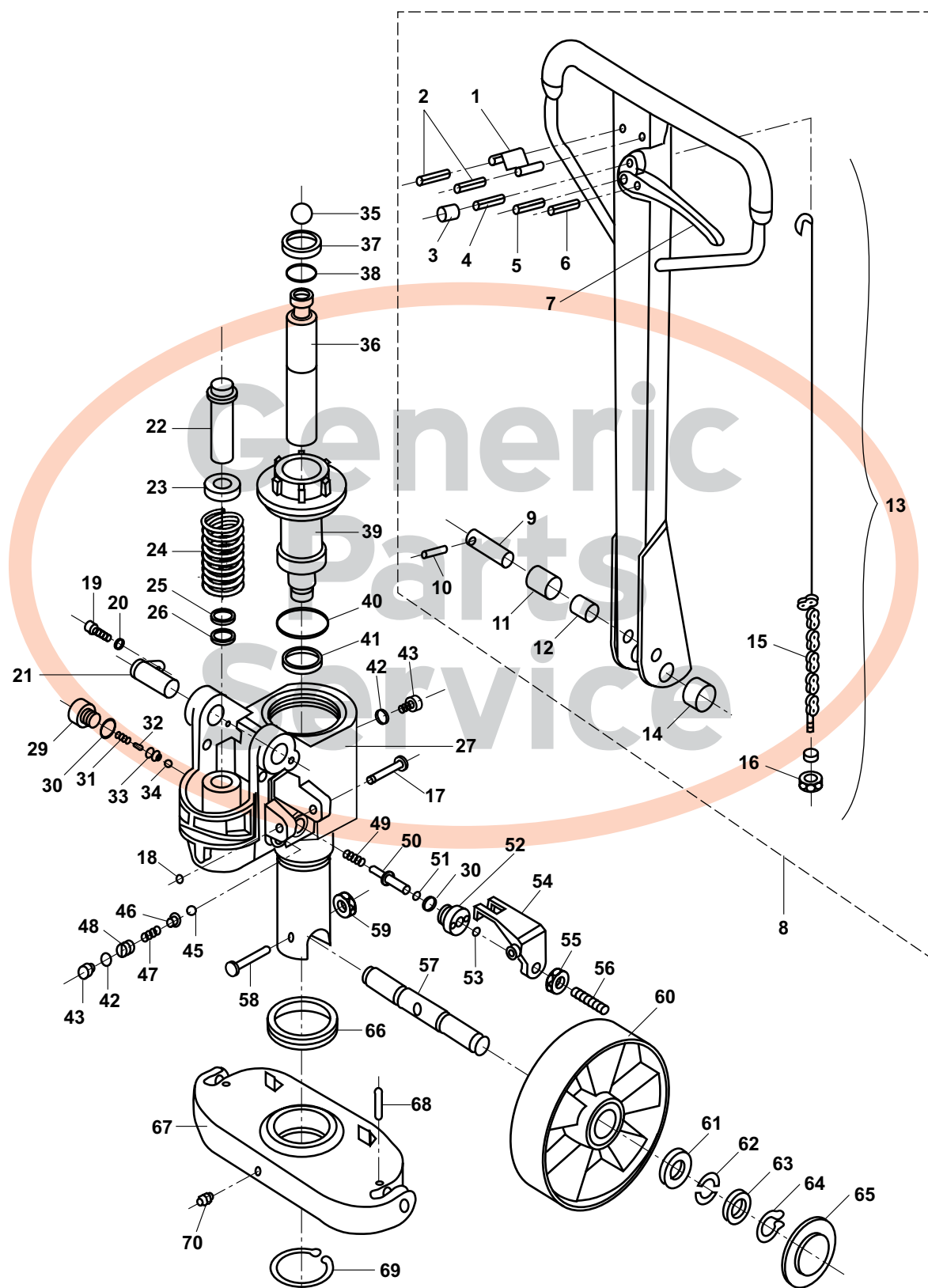
Item	Part No.	Description
1	1808308	Set Screw
2	1808284	Bell Crank Shaft (20.5" Frame)
	1808285	Bell Crank Shaft (27" Frame)
3	1808286	Locking Ring
4	1808279	Oiler
5	1808309	Bell Crank, 20.5" Fork
	1808310	Bell Crank, 27" Fork
6	1808287	Oiler
7	1808278	Bell Crank Pin
8	1808280	Roll Pin
9	1808281	Joint
10	1808282	Joint Pin
11	1808283	Push Rod
12	1808306	Nut
13	1808305	Entry Roller
14	1808304	Sleeve
15	1808303	Bolt

Item	Part No.	Description
16	1808300	Load Roller Assembly, Black Ultra Poly (70D) on Steel Hub W/Bearings & Washers
	1808301	Load Roller Assembly, Nylon W/Bearings & Washers
	1808302	Load Roller Assembly, Steel W/Bearings & Washers
	GWK-CJ55-LW	Load Wheel Kit (2) Black Ultra-Poly (70D) Load Roller Assemblies W/Bearings, Axles & Fasteners
17	1808273	Bearing
18	1808296	Load Roller Bracket
19	1808295	Roll Pin
20	1808294	Load Wheel Axle
21	1808293	Rear Guild Roller
22	1808291	Hanger Axle
23	1808292	Roll Pin
24	1808288	Exit Roller
25	1808289	Roll Pin
26	1808290	Push Rod Axle

Load Wheel Kit



Clark CJ55 Hydraulic Unit



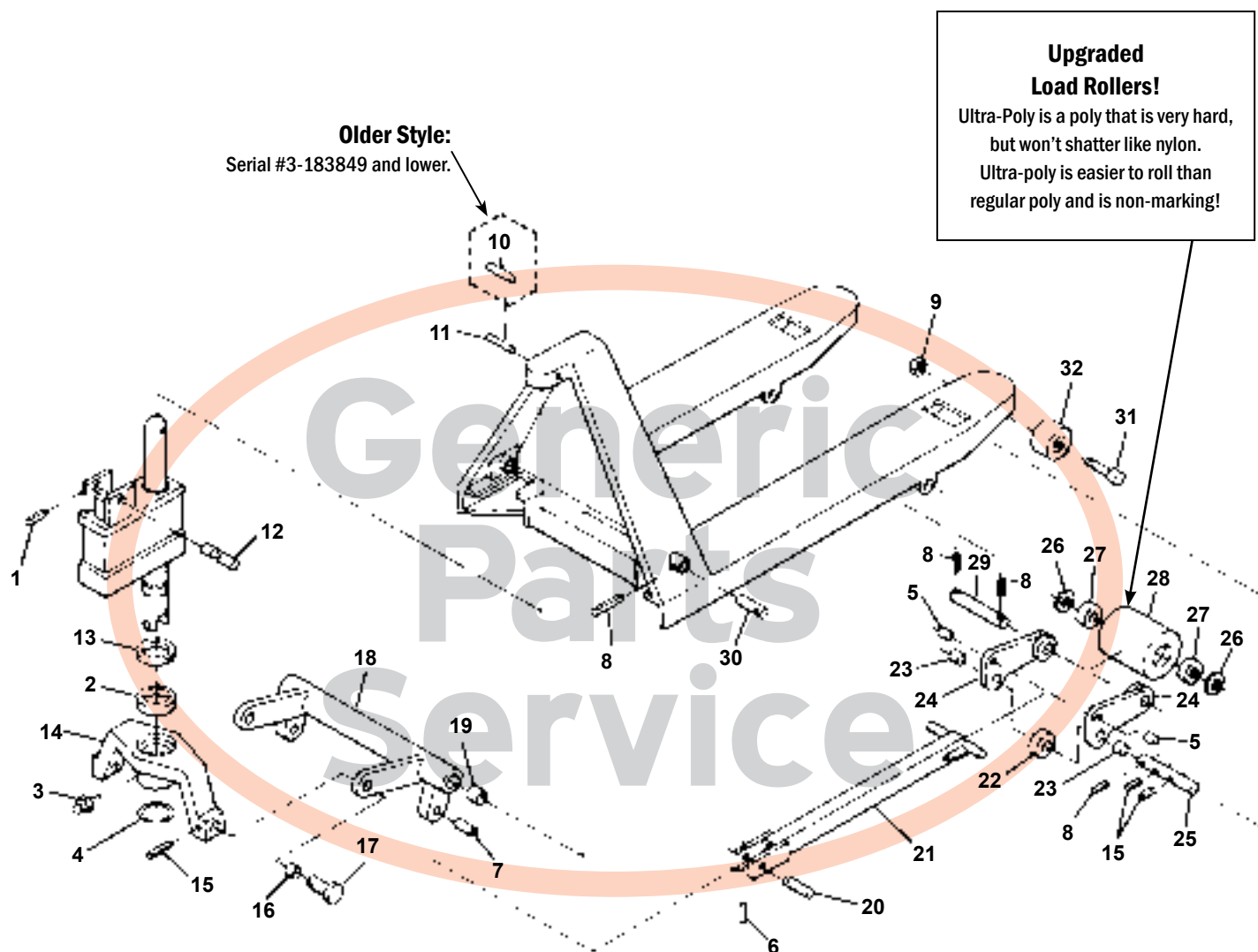
Clark CJ55 Hydraulic Unit

Item	Part No.	Description
1	1808101	Handle Spring
2	1808102	Roll Pin
3	1808103	Nylon Roller
4	1808104	Roll Pin
5	1808105	Roll Pin
6	1808106	Roll Pin
7	1808107	Control Lever
8	1808263	Handle Assembly Complete
9	1808109	Handle Roller Pin
10	1808110	Roll Pin
11	1808111	Pressure Roller
12	1808112	Handle Roller Bushing
13	1808113-A	Control Rod Assembly, Includes Lever #7
14	1808114	Handle Bushing
15	1808115	Chain
16	1808116	Adjustment Nut
17	1808140	Lever Plate Bolt
18	1808154	Retaining Ring
19	1808117	Screw
20	1808153	Lock Washer
21	1808118	Handle Pivot Pin
22	1808147	Pump Piston
23	1808148	Spring Cap
24	1808149	Handle Return Spring
25	1808150	Wiper
26	1808151	U-Cup
27	1808262	Pump Assembly Complete, Inc 17-34 & 36-56
29	1808119	Screw Plug
30	1808120	Seal Washer
31	1808121	Spring
32	1808122	Valve Spindle
33	1808123	Valve Seat
34	1808124	Chrome Ball
35	1808146	Chrome Ball
36	1808152	Lift Piston
37	1808145	Wiper
38	1808144	O-Ring
39	1808143	Cylinder Cap
40	1808142	O-Ring
41	1808141	U-Cup
42	1808126	Seal Washer
43	1808127	Bolt
45	1808139	Chrome Ball
46	1808138	Ball Valve Seat
47	1808137	Spring
48	1808136	Bolt
49	1808128	Spring
50	1808129	Strike Pin
51	1808130	O-Ring
52	1808131	Sleeve
53	1808132	O-Ring
54	1808135	Lever Plate
55	1808134	Nut
56	1808133	Adjustment Screw
57	1808264	Steer Wheel Axle
58	1808265	Steer Wheel Axle Bolt
59	1808311	Nut
60	1808270	Steer Wheel Assembly, Black Ultra Poly on Nylon W/Bearings
	1808271	Steer Wheel Assembly, Nylon W/Bearings
	1808272	Steer Wheel Assembly, Steel W/Bearings
	GWK-CJ55-CK	Complete Wheel Kit, (2) Ultra Poly Load Roller Assemblies (70D) (2) Poly Steer Wheel Assemblies W/Bearings, Axles & Fasteners
61	1808273	Bearing
62	1808274	Locking Ring, Half Round
63	1808275	Washer
64	1808276	Snap Ring
65	1808277	Hub Cap
66	1808266	Thrust Bearing
67	1808267	Thrust Plate
68	1808268	Roll Pin
69	1808269	Snap Ring
KITS		
A	1808155	Seal Kit

Item	Part No.	Description
40	1808142	O-Ring
41	1808141	U-Cup
42	1808126	Seal Washer
43	1808127	Bolt
45	1808139	Chrome Ball
46	1808138	Ball Valve Seat
47	1808137	Spring
48	1808136	Bolt
49	1808128	Spring
50	1808129	Strike Pin
51	1808130	O-Ring
52	1808131	Sleeve
53	1808132	O-Ring
54	1808135	Lever Plate
55	1808134	Nut
56	1808133	Adjustment Screw
57	1808264	Steer Wheel Axle
58	1808265	Steer Wheel Axle Bolt
59	1808311	Nut
60	1808270	Steer Wheel Assembly, Black Ultra Poly on Nylon W/Bearings
	1808271	Steer Wheel Assembly, Nylon W/Bearings
	1808272	Steer Wheel Assembly, Steel W/Bearings
	GWK-CJ55-CK	Complete Wheel Kit, (2) Ultra Poly Load Roller Assemblies (70D) (2) Poly Steer Wheel Assemblies W/Bearings, Axles & Fasteners
61	1808273	Bearing
62	1808274	Locking Ring, Half Round
63	1808275	Washer
64	1808276	Snap Ring
65	1808277	Hub Cap
66	1808266	Thrust Bearing
67	1808267	Thrust Plate
68	1808268	Roll Pin
69	1808269	Snap Ring
KITS		
A	1808155	Seal Kit

Crown PTH Frame

Serial #3-118400 and higher



Key differences:

Push rods -

PTH has ears, PTH50 has no ears.

Lifting Link -

PTH pins (item 20) are removable, PTH50 pins are welded.

Load rollers -

PTH - 3-1/4" diameter, PTH50 - 3" diameter.

Traverse -

PTH has long ears, PTH50 has a lip and short, heavy-duty ears.

Crown Roll Pin Kits

Contain enough roll pins to repair two newer style Crown PTH pallet jacks.

Crown PTH Frame

Serial #3-118400 and higher

Item	Part No.	Description
1	50000-015	Roll Pin
2	55018-001	Traverse Bearing
3	54011-001	Lube Fitting
4	50012-024	Snap Ring
5	41201	Bushing
6	50000-016	Roll Pin
7	41139	Bushing
8	50000-017	Roll Pin
9	50008-025	Nut
10	50000-034	Roll Pin
11	50000-036	Roll Pin
12	41252	Handle Axle
13	79850	Washer
14	41249	Traverse
15	50000-012	Roll Pin
16	41138	Bushing
17	41149	Shoulder Pin
18	41129-002	Lifting Link, 27" Wide Jack
19	41137	Bushing
20	41148	Pin
21	41141-002	Push Rod, 36" Forks
	41141-004	Push Rod, 42" Forks
	41141-006	Push Rod, 48" Forks

Item	Part No.	Description
22	41127	Exit Roller
23	55007-001	Bushing
24	41241	Load Roller Bracket (Pair) (Includes Items 5 and 23)
25	41126	Pivot Axle
26	41203	Washer
27	65081-020	Bearing
28	82283-1-D	Load Roller Assembly, Red Ultra-Poly On Aluminum Hub W/ Bearings
	82283-1	Load Roller Assembly, Black Ultra-Poly On Steel Hub W/ Bearings
	82283-2	Load Roller Assembly, Nylon W/ Bearings
	82283-3	Load Roller Assembly, Steel W/ Bearings
	GWK-PTH-LW	Load Wheel Kit, (2) Black Ultra-Poly (70D), Load Roller Assemblies, W/ Bearings, Axles & Fasteners
	GWK-PTH-CK	Complete Wheel Kit, (2) Ultra-Poly Load Roller Assemblies (70D), (2) Poly Steer Wheel Assemblies, W/ Bearings, Axles & Fasteners
29	41202	Load Roller Axle
30	41140	Lifting Link Pin
31	50007-021	Bolt
32	82203	Entry Roller
KITS	CR RPK	Roll Pin Kit

Load Wheel Kit



Complete Wheel Kit



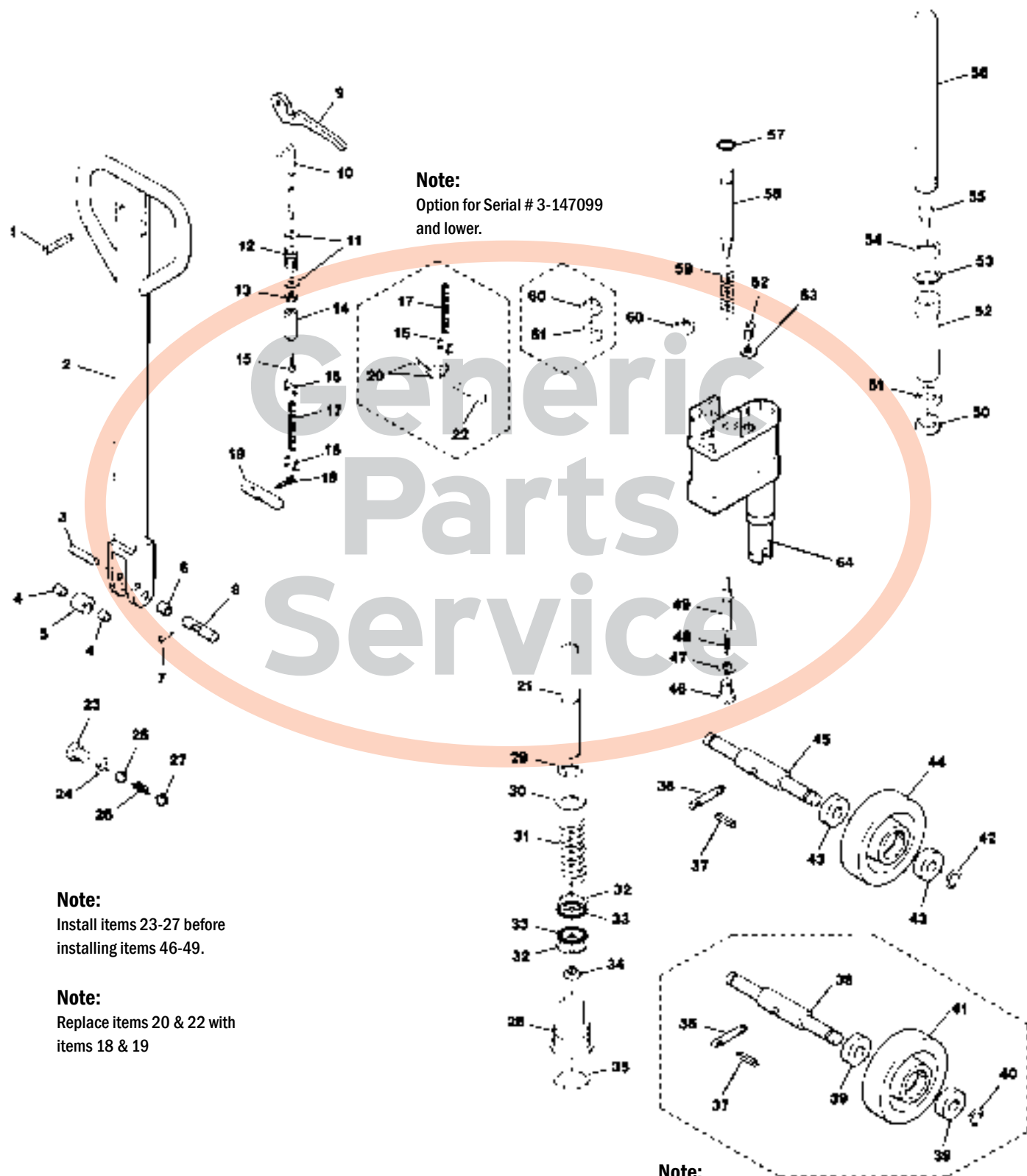
Note:

Please confirm measurements before ordering:

Load Roller 3.250" Diameter
Steer Wheel 8" Diameter

Crown Older PTH Hydraulic Unit

Serial #3-118400 to #3-183849



Note:
Option for Serial # 3-147099 and lower.

Note:
Install items 23-27 before installing items 46-49.

Note:
Replace items 20 & 22 with items 18 & 19

Note:
Option for Serial # 3-147099 and lower
25mm bearing ID, Item # 41 (Old Style)

Crown Older PTH Hydraulic Unit

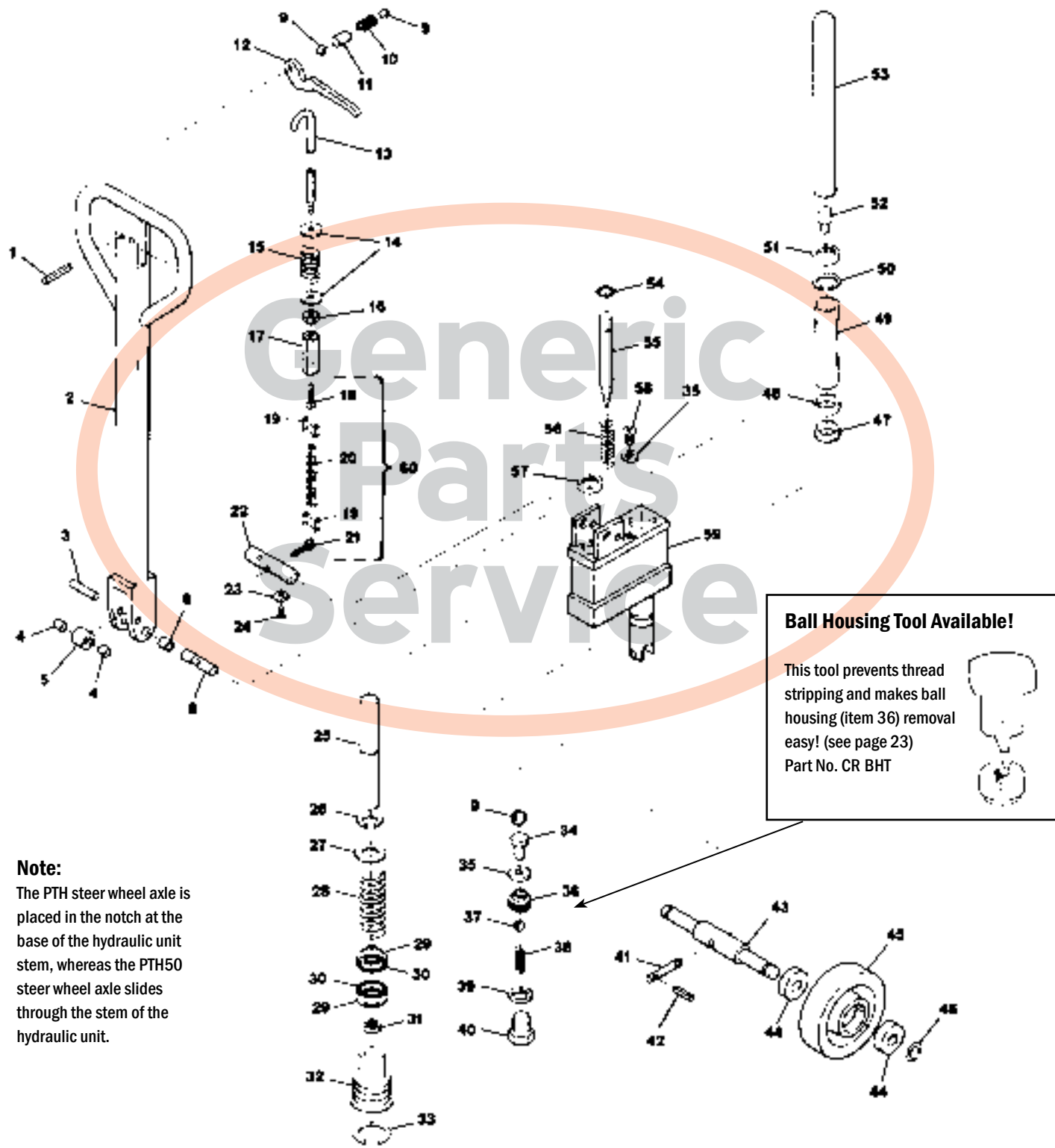
Serial #3-118400 to #3-183849

Item	Part No.	Description
1	50000-012	Roll Pin
2	41182	Handle Assembly, (Includes Items 1-6 and 9-14)
3	41191	Roller Axle
4	55017-002	Roller Bearing
5	41192	Roller
6	41194	Bushing
7	50000-015	Roll Pin
8	41252	Handle Axle
9	79873	Control Lever
10	41189	Control Rod
11	41193	Washer
12	79918	Spring
13	50008-008	Nut
14	41190	Adjusting Nut
15	41180	Chain Connector
16	79905	Master Link
17	79904	Chain
18	41272	Chain Connector
19	41271	Pin
20	-	Replace W/ Items 18 & 19
21	A 41996	Piston
	41999	Piston and Cylinder Assembly (Includes Items 25,29,30,31,32)
22	41176	Pin
23	A 41171	Screw Plug
24	A B 50011-018	Washer
25	A B 65002-005	Ball
26	A B 79914	Spring
27	A B 65002-007	Ball
28	41995	Pump Cylinder
29	A 50012-021	Snap Ring
30	41170	Washer
31	79908	Spring
32	A B 64074-005	Back-Up Ring
33	A B 54002-012	O-Ring
34	A B 54015-004	U-Cup
35	A 50012-026	Snap Ring
36	41195	Pin
37	50000-001	Roll Pin
38	41197	Steer Wheel Axle
39	65081-021	Bearing

Item	Part No.	Description
40	50012-022	Snap Ring
41	82274-1-HD	Steer Wheel Assembly, Red Ultra-Poly On Aluminum Hub W/ Bearings
	82274-1-ST	Steer Wheel Assembly, Black Poly On Nylon Hub W/ Bearings
	82274-2	Steer Wheel Assembly, Nylon W/ Bearings
	82274-3	Steer Wheel Assembly, Steel W/ Bearings
42	50012-021	Snap Ring
43	65081-020	Bearing
44	41275-1-HD	Steer Wheel Assembly, Red Ultra-Poly On Aluminum Hub W/ Bearings
	41275-1-ST	Steer Wheel Assly, Black Poly On Nylon Hub W/ Bearings
	41275-2	Steer Wheel Assembly, Nylon W/ Bearings
	41275-3	Steer Wheel Assembly, Steel W/ Bearings
	GWK-PTH-CK	Complete Wheel Kit, (2) Ultra-Poly Load Roller Assemblies (70D), (2) Poly Steer Wheel Assemblies, W/ Bearings, Axles & Fasteners
45	41270	Steer Wheel Axle
46	A 41172	Screw Plug
47	A B 50011-015	Washer
48	A B 79913	Spring
49	A B 41174	Valve
50	A B 41166	Bushing
51	A B 54015-001	U-Cup
52	41165	Bushing
53	A 50012-025	Snap Ring
54	A B 54001-008	Scraper
55	41254	Magnet and Sleeve Assembly
56	41163	Ram Assembly (Includes Item 55)
57	A B 54002-011	O-Ring
58	41175	Release Pin
59	A B 79915	Spring
60	A B 54001-002	Scraper
61	41162	Bushing
62	A 41181	Filler Plug
63	A B 50011-011	Washer
64	HU CR PTH-2PC	Rebuilt Hydraulic Unit - Exchange (Serial # 3-118400 to #3-183849)
KITS	A 41246-SUPER	Super Seal Kit
KITS	B 41246	Seal Kit

Crown Later PTH Hydraulic Unit

Serial #3-183850 and higher



Note:

The PTH steer wheel axle is placed in the notch at the base of the hydraulic unit stem, whereas the PTH50 steer wheel axle slides through the stem of the hydraulic unit.

Crown Later PTH Hydraulic Unit

Serial #3-183850 and higher

Item	Part No.	Description
1	50000-012	Roll Pin
2	41293	Handle Assembly, (Includes Items 1-6 and 9-17)
3	41191	Roller Axle
4	55017-002	Roller Bearing
5	41192	Roller
6	41194	Bushing
8	41252	Handle Axle
9	A B 55001-007	Ball
10	41292	Spring
11	41326	Sleeve
12	41325	Control Lever
13	41295	Control Rod
14	41193	Washer
15	79918	Spring
16	50008-008	Nut
17	41190	Adjusting Nut
18	41180	Chain Connector
19	79905	Master Link
20	79904	Chain
21	41272	Chain Connector
22	41302	Pin
23	A 41303	Actuating Plate
24	A 50003-012	Screw
25	A 41996	Piston
	41999	Piston and Cylinder Assembly (Includes Items 25, 29-32)
26	A 50012-021	Snap Ring
27	41170	Washer
28	79908	Spring
29	A B 64074-005	Back-Up Ring
30	A B 54002-012	O-Ring
31	A B 54015-004	U-Cup
32	41995	Pump Cylinder
33	A 50012-026	Snap Ring
34	A B 41286	Tappet
35	A B 50011-010	Washer
36	A B 41289	Ball Housing
37	A B 55001-002	Ball
38	A B 41288	Spring
39	A B 50011-020	Washer
40	A 41301	Screw Plug
41	41195	Pin
42	50000-001	Roll Pin

Item	Part No.	Description
43	41270	Steer Wheel Axle
44	65081-020	Bearing
45	41275-1-HD	Steer Wheel Assembly, Red Ultra-Poly On Aluminum Hub W/Bearings
	41275-1-ST	Steer Wheel Assembly, Black Poly On Nylon Hub W/ Bearings
	41275-2	Steer Wheel Assembly, Nylon W/ Bearings
	41275-3	Steer Wheel Assembly, Steel W/ Bearings
	GWK-PTH-CK	Complete Wheel Kit, (2) Ultra-Poly Load Roller Assemblies (70D), (2) Poly Steer Wheel Assemblies, W/ Bearings, Axles & Fasteners
46	50012-021	Snap Ring
47	A B 41166	Bushing
48	A B 54015-001	U-Cup
49	41165	Bushing
50	A 50012-025	Snap Ring
51	A B 54001-008	Scraper
52	41254	Magnet and Sleeve Assembly
53	41163	Ram Assembly (Includes Item 52)
54	A B 54002-011	O-Ring
55	41284	Release Pin
56	A B 79915	Spring
57	A B 54001-002	Scraper
58	A 41181	Filler Plug
59	HU CR PTH-1PC	Rebuilt Hydraulic Unit - Exchange
60	79904-A	Chain Assembly (Includes Items 18 - 21)
61	41295-A	Pull Rod Chain Assembly (Includes Items 13-21)
KITS A	43023-SUPER	Super Seal Kit
KITS B	43023	Seal Kit

Complete Wheel Kit

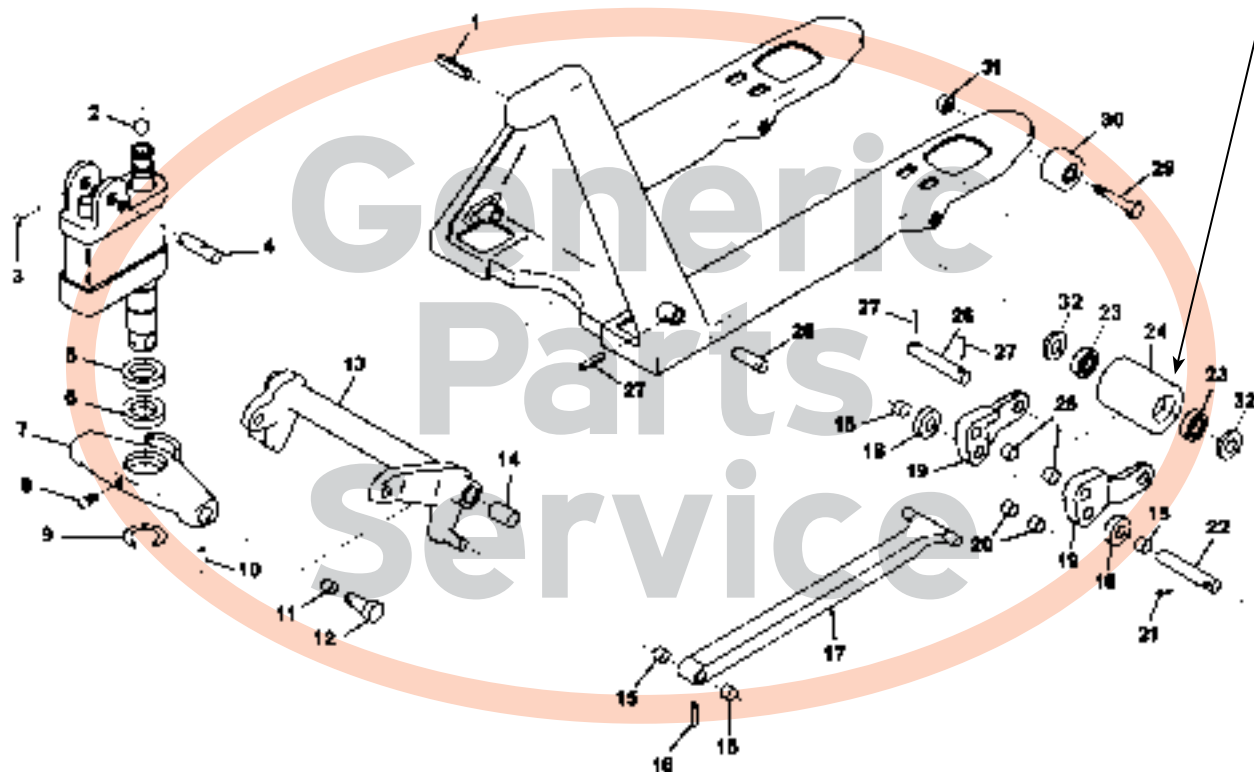


Crown PTH50 Frame

Serial #7-000000 to Serial #7-512501

Upgraded Load Rollers Available!

Ultra-Poly is a poly that is very hard, but won't shatter like nylon. Ultra-Poly is easier to roll than regular poly and is non-marking!



Key differences:

Push rods -

PTH has ears, PTH50 has no ears.

Lifting link -

PTH pins (item 20 on page 54) are removable, PTH50 pins are welded.

Load rollers -

PTH - 3-1/4" diameter, PTH50 - 3" diameter.

Traverse -

PTH has long ears, PTH50 has a lip and short, heavy-duty ears.

Crown Roll Pin Kit

Contains enough roll pins to repair one Crown PTH50

Crown PTH50 Frame

Serial #7-000000 to Serial #7-512501

Item	Part No.	Description
1	50000-014	Roll Pin
2	55001-010	Ball
3	50000-015	Roll Pin
4	44519	Handle Axle
5	44468	Washer
6	55018-001	Traverse Bearing
7	44466	Traverse
8	54011-001	Lube Fitting
9	50012-024	Snap Ring
10	50000-010	Roll Pin
11	41201	Bushing
12	44467	Pin
13	44472	Lifting Link, 20" Wide Jack
	44473	Lifting Link, 27" Wide Jack
14	55084-002	Bushing
15	42053-011	Bushing
16	50000-016	Roll Pin
17	44488-002	Push Rod, 36" Forks
	44488-004	Push Rod, 42" Forks
	44488-006	Push Rod, 48" Forks (Includes Item 15)
18	44777	Exit Roller
19	44501	Load Roller Bracket (Pair) (Includes Items 20 & 25)

Item	Part No.	Description
20	42053-012	Bushing
21	50000-011	Roll Pin
22	44464	Pivot Axle
23	65081-020	Bearing
24	44506-001-D	Load Roller Assembly, Red Ultra-Poly On Aluminum Hub W/ Bearings
	44506-001	Load Roller Assembly, Black Ultra-Poly On Steel Hub W/ Bearings
	44506-002	Load Roller Assembly, Nylon W/ Bearings
	44506-003	Load Roller Assembly, Steel W/ Bearings
	GWK-PTH50-LW	Load Wheel Kit, (2) Black Ultra-Poly (70D), Load Roller Assemblies, W/ Bearings, Axles & Fasteners
25	41139	Bushing
26	44509	Load Roller Axle
27	50000-017	Roll Pin
28	44463	Lifting Link Pin
29	50007-023	Bolt
30	44461	Entry Roller
31	50008-025	Nut
32	44516	Washer
KITS	RPK50	Roll Pin Kit

Load Wheel Kit

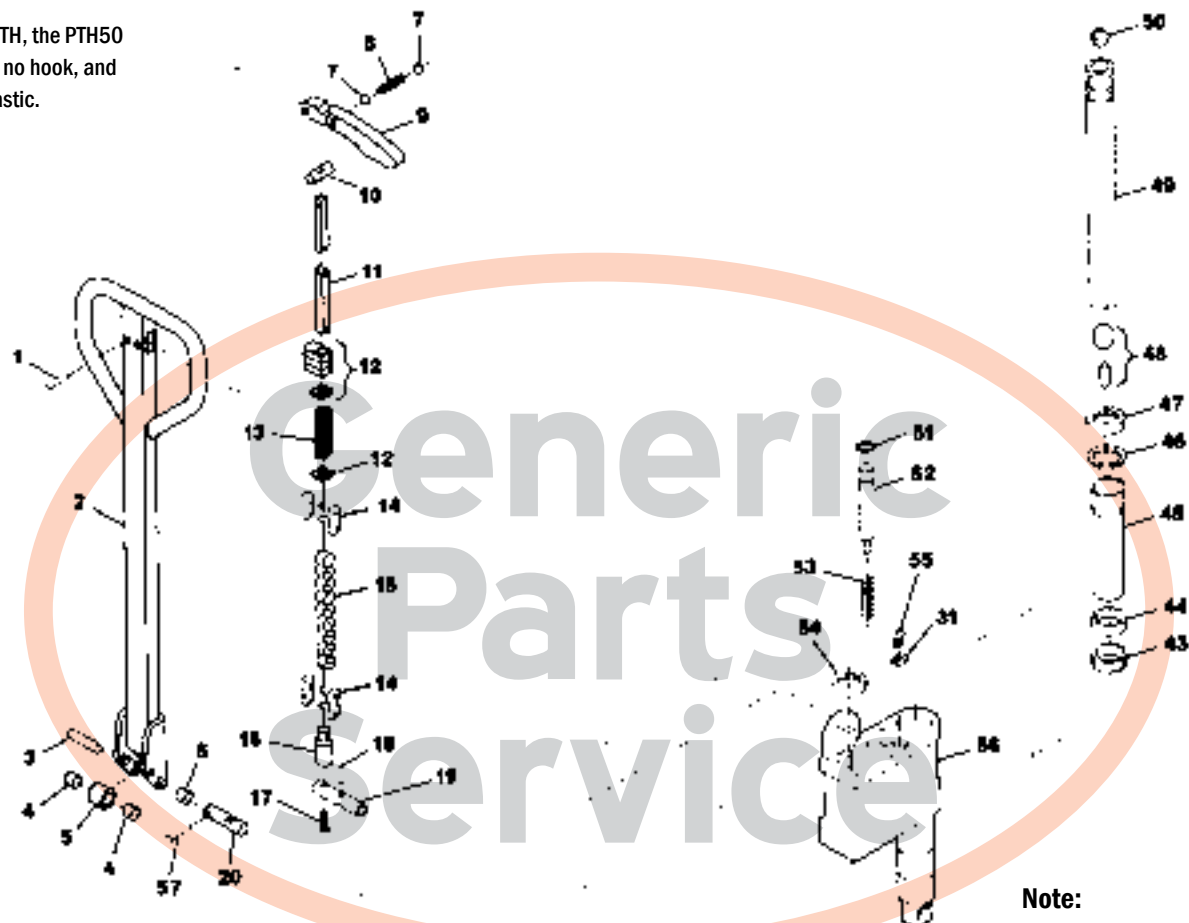


Crown PTH50 Hydraulic Unit

Serial #7-000000 to Serial #7-512501

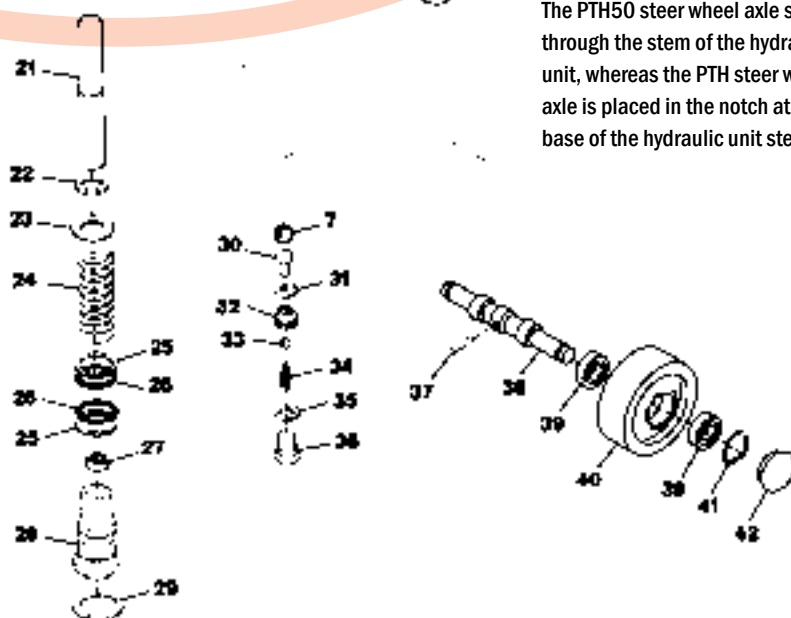
Note:

Unlike the PTH, the PTH50 item 11 has no hook, and item 9 is plastic.



Note:

The PTH50 steer wheel axle slides through the stem of the hydraulic unit, whereas the PTH steer wheel axle is placed in the notch at the base of the hydraulic unit stem.



The Easiest ID Point for PTH50 Jacks
(as opposed to "PTH").
All PTH50 jacks have a serial # that starts with "7".

Crown PTH50 Hydraulic Unit

Serial #7-000000 to Serial #7-512501

Item	Part No.	Description
1	50000-012	Roll Pin
2	44521-012	Handle Assembly (Includes Items 1 - 17)
3	44537	Roller Axle
4	55084-001	Bushing
5	44536	Roller
6	55084-003	Bushing
7	A B 55001-007	Ball
8	41292	Spring
9	44600	Control Lever
10	44531	Barrel Nut
11	44527	Control Rod
	44527-A	Rod and Chain Assembly (Includes Items 10 - 17)
12	44586	Insert Assembly
13	79918	Spring
14	44534	Master Link
	44532	Chain and Link Kit (Includes Items 14, 15)
15	44533	Chain
	44533-A	Chain Assembly (Includes Items 14 - 17)
16	44535	Chain Connector
17	50005-002	Screw
18	A 50000-070	Roll Pin
19	44457	Pin
20	44519	Handle Axle
21	A 44453	Piston
	44709	Piston and Cylinder Assembly (Includes Items 21, 25-28)
22	A 50012-033	Snap Ring
23	44452	Washer
24	44570	Spring
25	A B 64074-005	Back-Up Ring
26	A B 54002-012	O-Ring
27	A B 54015-005	U-Cup
28	44454	Pump Cylinder
29	A 50012-026	Snap Ring
30	A B 41286	Tappet
31	A B 50011-010	Washer
32	A B 41289	Ball Housing
33	A B 55001-002	Ball
34	A B 41288	Spring
35	A B 50011-020	Washer
36	A 41301	Screw Plug
37	50000-039	Roll Pin
38	44499	Steer Wheel Axle
39	65081-020	Bearing

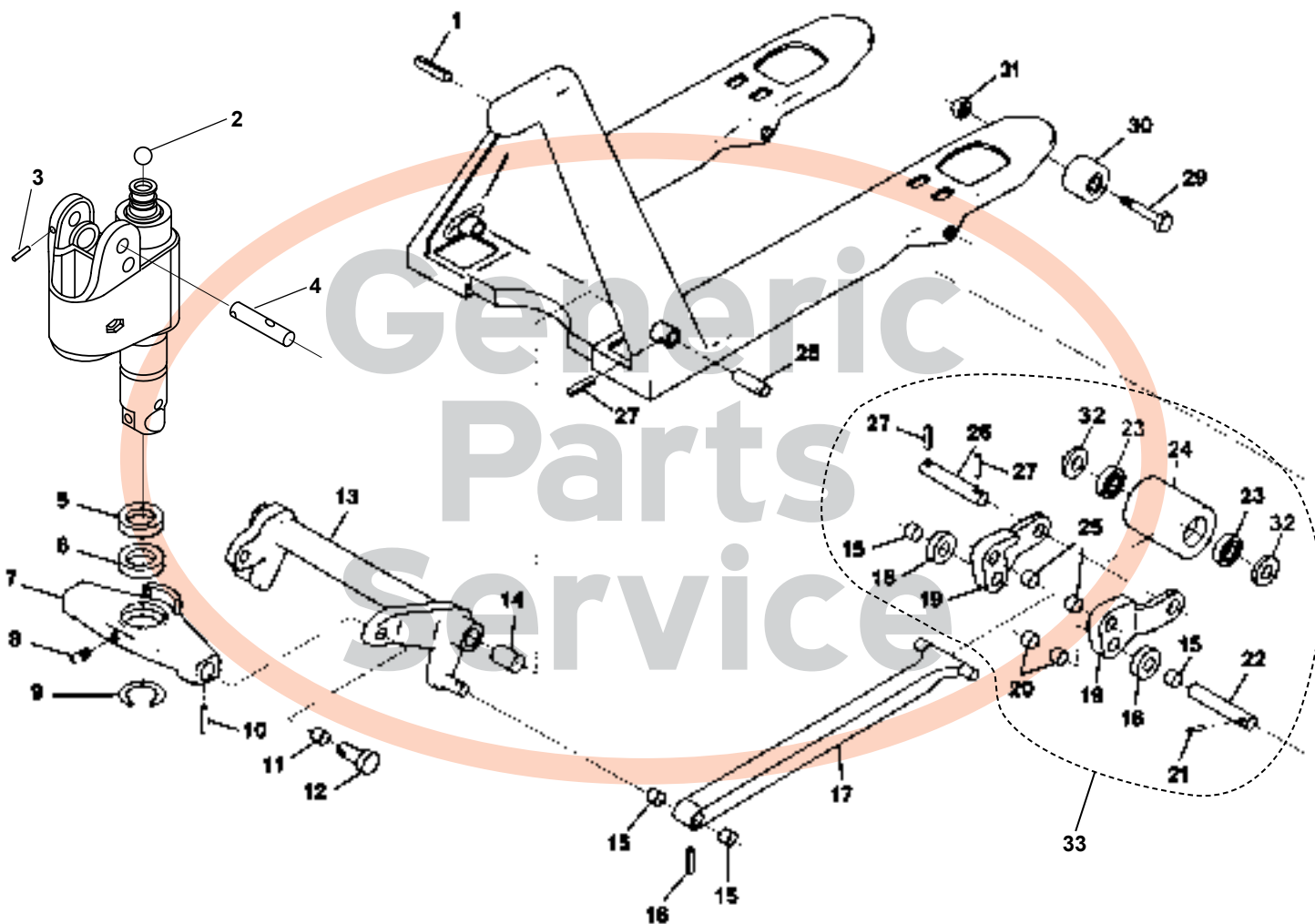
Item	Part No.	Description
40	44495-001-HD	Steer Wheel Assembly, Red Ultra-Poly On Aluminum Hub W/ Bearings
	44495-001-ST	Steer Wheel Assembly, Black Poly On Nylon Hub W/ Bearings
	44495-002	Steer Wheel Assembly, Nylon W/ Bearings
	44495-003	Steer Wheel Assembly, Steel W/ Bearings
	GWK-PTH50-CK	Complete Wheel Kit, (2) Ultra-Poly Load Roller Assemblies (70D), (2) Poly Steer Wheel Assemblies, W/ Bearings, Axles & Fasteners
41	50012-021	Snap Ring
42	44437	Hub Cap (OEM Wheel Only)
	44437-1	Hub Cap (GPS Wheel Only)
43	A B 41166	Bushing
44	A B 54015-001	U-Cup
45	41165	Bushing
46	A 50012-025	Snap Ring
47	A B 54001-008	Scraper
48	41254	Magnet and Sleeve Assembly
49	44708	Ram Assembly (Includes Item 48)
50	55001-010	Ball
51	A B 54002-024	O-Ring
52	44455	Release Pin
53	A B 44456	Spring
54	A B 54001-009	Scraper
55	A 41181	Filler Plug
56	HU CR PTH-50	Rebuilt Hydraulic Unit - Exchange
57	50000-015	Roll Pin
KITS A	44648-SUPER	Super Seal Kit
KITS B	44648	Complete Seal Kit

Complete Wheel Kit



Crown Newer PTH50 Frame

Serial #7-512501 and Higher



Crown Newer PTH50 Frame

Serial #7-512501 and Higher

Item	Part No.	Description
1	50000-014	Roll Pin
2	55001-010	Ball
3	50000-015	Roll Pin
4	816817	Handle Axle
5	44468	Washer
6	55018-001	Traverse Bearing
7	45671	Traverse
8	54011-001	Lube Fitting
9	50012-024	Snap Ring
10	50000-010	Roll Pin
11	41201	Bushing
12	44467	Pin
13	819177	Lifting Link, 27" Wide Jack
14	55084-002	Bushing
15	42053-011	Bushing
16	50000-016	Roll Pin
17	44488-006	Push Rod, 48" Forks
18	44777	Exit Roller
19	44501	Load Roller Bracket (Pair)
20	42053-012	Bushing
21	50000-010	Roll Pin

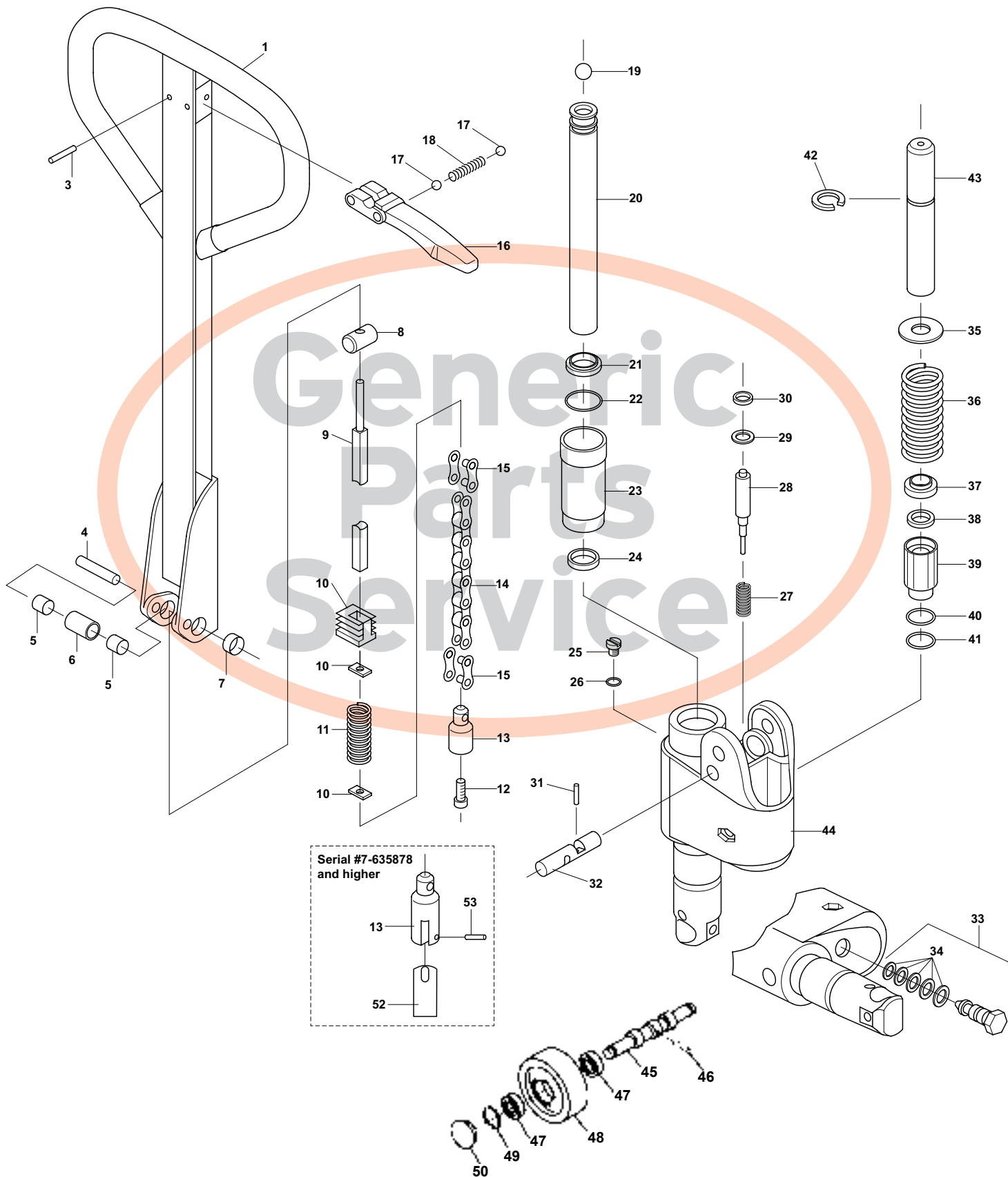
Item	Part No.	Description
22	45670	Pivot Axle
23	55002-004	Bearing
24	44506-001-D	Load Roller Assembly, Red Ultra-Poly On Aluminum Hub W/ Bearings
	44506-001	Load Roller Assembly, Black Ultra-Poly On Steel Hub W/ Bearings
	44506-002	Load Roller Assembly, Nylon W/ Bearings
	44506-003	Load Roller Assembly, Steel W/ Bearings
	GWK-PTH50-LW	Load Wheel Kit, (2) Black Ultra-Poly (70D), Load Roller Assemblies, W/ Bearings, Axles & Fasteners
25	41139	Bushing
26	45676	Axle
27	50000-017	Roll Pin
28	45669	Lift Link Pin
29	50007-023	Bolt
30	44461	Entry Roller
31	50008-049	Nut
32	44516	Washer
33	44500-001	Load Wheel & Bracket Assembly (Includes Items 15, 18 - 27)

Load Wheel Kit



Crown Newer PTH50 Hydraulic Unit

Serial #7-512501 and Higher



Crown Newer PTH50 Hydraulic Unit

Serial #7-512501 and Higher

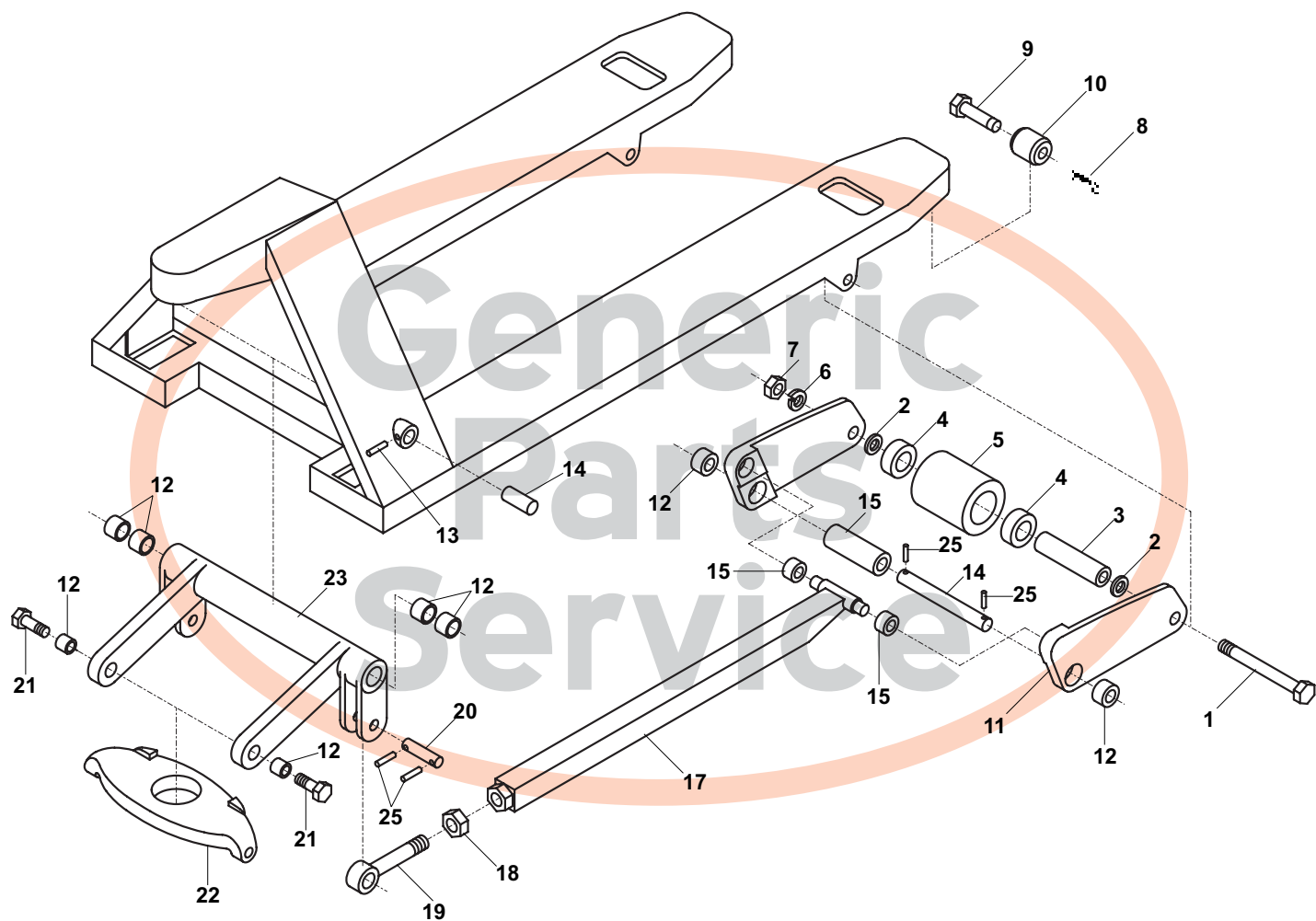
Item	Part No.	Description
1	44521-012	Handle Assembly (Includes Items 3-18) Serial #7-512501 - 7-635877
	144546-012	Handle Assembly (Includes Items 3-18, 52-53) Serial #7-635878 & Higher
3	50000-012	Roll Pin
4	46235	Roller Axle
5	55084-001	Bushing
6	46236	Roller
7	55084-003	Bushing
8	44531	Barrel Nut
9	44527	Control Rod
KITS	144545	Control Rod Assembly (Includes Items 9, 13-15, 52, 53)
10	44586	Insert
11	79918	Spring
12	50005-002	Screw
13	44535	Chain Connector Serial #7-512501 - 7-635877
	144081	Chain Connector, Serial #7-635878 & Higher
14	46128	Chain Assembly
15	46127	Master Link
16	44600	Release Lever
17	55001-007	Ball
18	41292	Spring
19	55001-010	Ball
20	46234	Ram
21	A B 54001-008	Scraper
22	A B 50012-025	Snap Ring
23	41165	Ram Cylinder
24	A B 54015-001	U-Cup
25	41181	Filler Plug
26	A B 50011-010	Washer
27	A B 44456	Spring
28	B 816819	Control Piston
29	A B 818263	O-Ring
30	A B 818261	Wiper
31	A B 50000-070	Roll Pin
32	816818	Pin, Serial #7-512501 - 7-635877
	144080	Camshaft, Serial #7-635878 & Higher
33	B 818252	Pump Cartridge Assembly
34	A B 819180	Kit: 3 O-Rings & 2 Backuprings
35	44452	Washer
36	44570	Spring
37	A B 54001-009	Scraper

Item	Part No.	Description
38	A B 54015-005	U-Cup
39	816815	Pump Cylinder
40	A B 818262	Back-up Ring
41	A B 818260	O-Ring
42	50012-033	Snap Ring
43	B 816816	Pump Piston
44	816814-001	Pump Assembly
45	44499	Steer Wheel Axle
46	50000-039	Roll Pin
47	065081-020	Bearing
48	44495-001-HD	Steer Wheel Assembly, Red Ultra-Poly On Aluminum Hub W/ Bearings
	44495-001-ST	Steer Wheel Assembly, Black Poly On Nylon Hub W/ Bearings
	44495-002	Steer Wheel Assembly, Nylon W/ Bearings
	44495-003	Steer Wheel Assembly, Steel W/ Bearings
	GWK-PTH50-CK	Complete Wheel Kit, (2) Ultra-Poly Load Roller Assemblies (70D), (2) Poly Steer Wheel Assemblies, W/ Bearings, Axles & Fasteners
49	50012-021	Snap Ring
50	44437	Hub Cap (OEM Wheel Only)
	44437-1	Hub Cap (GPS Wheel Only)
52	144452	Spring Stopper
53	060106-010	Roll Pin
KITS A	819934	Seal Kit
KITS B	819934-SUPER	Super Seal Kit
	HU CR PTH50-1	Hydraulic Unit Serial #7-512501 - 7-635877
	HU CR PTH50-2	Hydraulic Unit Serial #7-635878 & Higher

Complete Wheel Kit



Dayton 3KR84 Frame

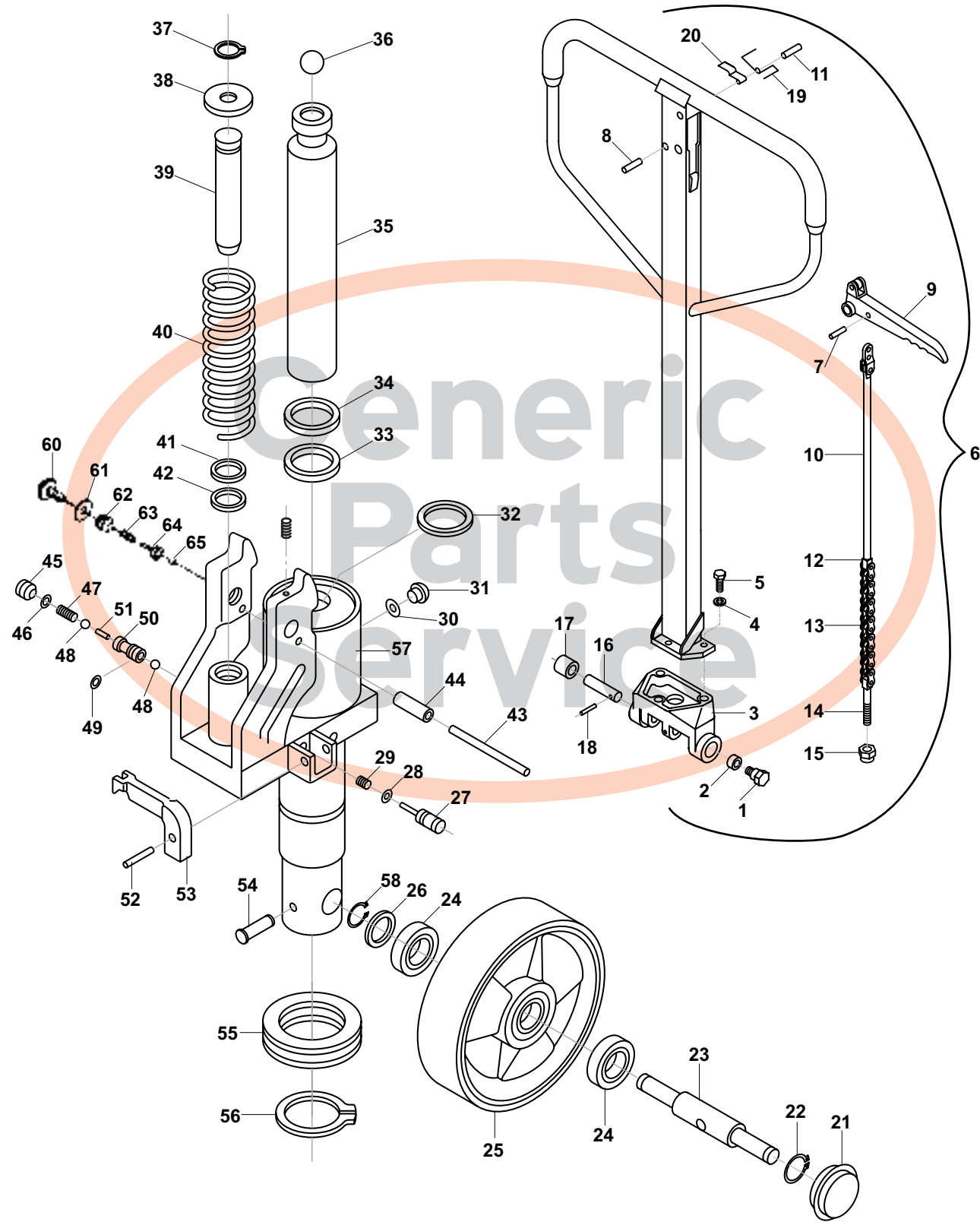


Dayton 3KR84 Frame

Item	Part No.	Description
1	PM-1F	Bolt , LW Axle
2	PM-2F	Washer
3	PM-3F	Shaft, Sleeve
4	PM-4F	Bearing
5	PM-5F-A	Load Wheel Assembly, Black Ultra Poly on Steel Hub W/Bearings
	PM-5F-N-A	Load Wheel Assembly, Nylon W/Bearings
	PM-5F-S-S	Load Wheel Assembly, Solid Steel W/Bearings
6	PM-6F	Lock Washer
7	PM-7F	Nut
8	PM-8F	Cotter Pin
9	PM-9F	Pin
10	PM-10F	Entry Roller
11	PM-11F	Bracket Assembly, Set LH & RH

Item	Part No.	Description
12	PM-12F	Bushing
13	PM-13F	Roll Pin
14	PM-14F	Roll Pin
15	PM-15F	Bushing
16	PM-16F	Exit Roller
17	PM-17F	Push Rod
18	PM-18F	Jam Nut
19	PM-19F	Eye Bolt
20	PM-20F	Pin
21	PM-21F	Shoulder Bolt
22	PM-22F	Traverse Plate
23	PM-23F	Lifting Link
24	PM-24F	Pin
25	PM-25F	Roll Pin

Dayton 3KR84 Hydraulic Unit

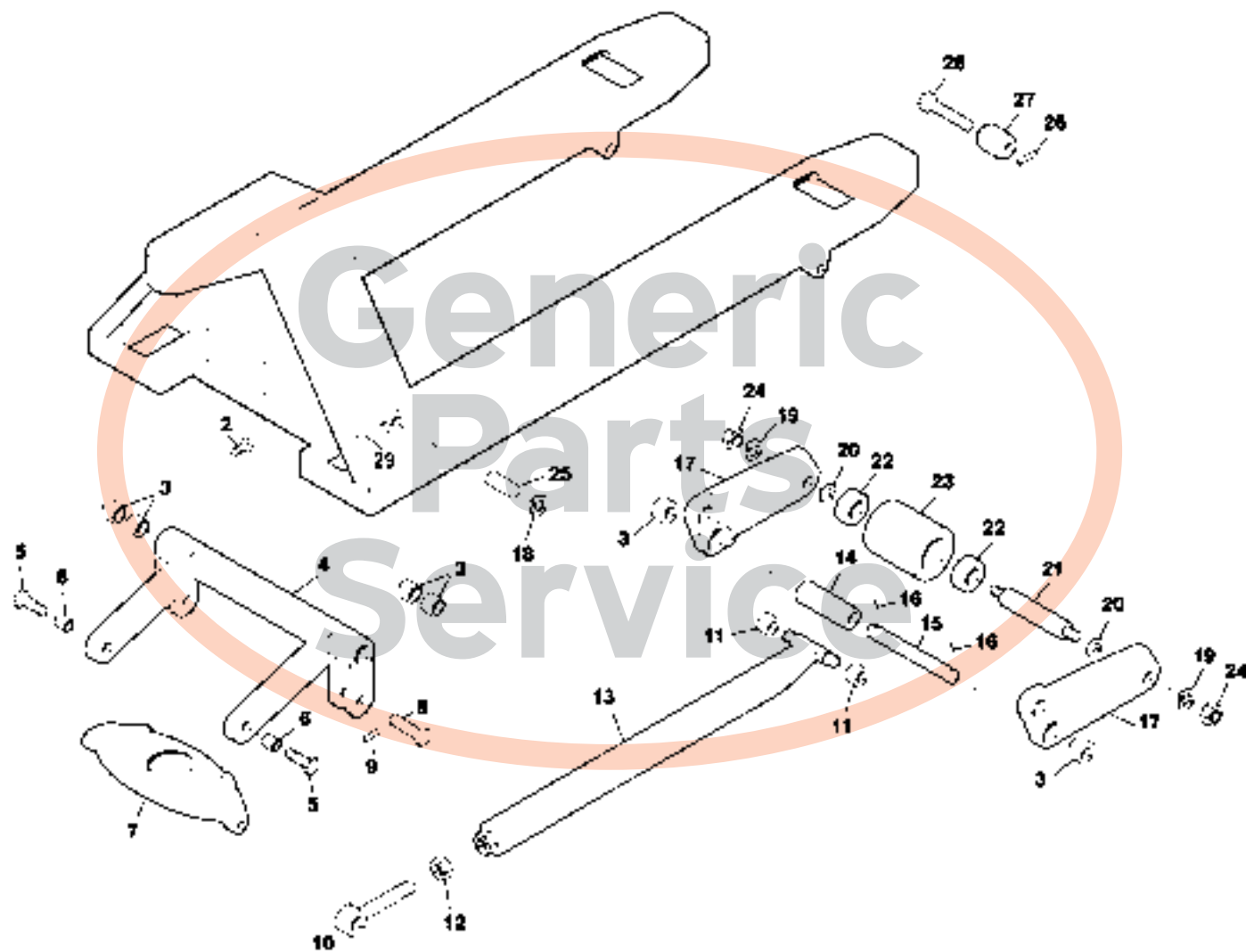


Dayton 3KR84 Hydraulic Unit

Item	Part No.	Description
1	PM-1HB	Shoulder Bolt
2	PM-2HB	Bushing
3	PM-3HB	Handle Bracket
4	PM-4HB	Lock Washer
5	PM-5HB	Bolt
6	PM-6HB	Handle Frame
	PM-HCA	Handle Assembly
7	PM-7HB	Roll Pin
8	PM-8HB	Roll Pin
9	PM-9HB	Control Lever
	PM-CLK	Control Linkage Assembly, Includes Items 7,9,10, 12-15
10	PM-11HB	Control Rod
11	PM-12HB	Roll Pin
12		Pin, Chain Link
13	PM-14HB	Chain
14	PM-15HB	Ajustment Pin
15	PM-16HB	Ajustment Nut
16	PM-17HB	Pin, Pressure Roller
17	PM-18HB	Pressure Roller
18	PM-19HB	Roll Pin
19	PM-20HB	Spring
20	PM-21HB	Spring Plate
21	PM-1P	Hub Cap
22	PM-2P	Snap Ring
23	PM-3P	Axle
24	PM-4P	Bearing
25	PM-5P	Steer Wheel Assembly, Black Poly on Nylon Hub, W/Bearings
26	PM-6P	Washer
27	PM-7P	Release Pin
28	A PM-8P	O-ring
29	PM-9P	Spring
30	A PM-10P	Nylon Washer
31	PM-11P	Srew Plug
32	A PM-12P	U-cup

Item	Part No.	Description
33	A PM-13P	U-cup
34	A PM-14P	Wiper
35	PM-15P	Lift Ram
36	PM-16P	Ball
37	PM-17P	Snap Ring
38	PM-18P	Spring Cap
39	PM-19P	Pump Piston
40	PM-20P	Spring
41	A PM-21P	Wiper
42	A PM-22P	U-cup
43	PM-23P	Roll Pin
44	PM-24P	Chain Roller
45	PM-25P	Valve Plug
46	A PM-26P	O-ring
47	PM-27P	Spring
48	PM-28P	Valve Ball
49	A PM-29P	O-ring
50	PM-30P	Ball
51	PM-31P	Pin
52	PM-32P	Roll Pin
53	PM-33P	Release Lever
54	PM-34P	Pivot Pin
55	PM-35P	Thrust Bearing
56	PM-36P	Snap Ring
57	PM-37P	Hydraulic Pump Assembly, Rebuilt
58	PM-38P	Snap Ring
59	PM-39P	Set Screw
60	PM-41P	Adjustment Bolt
61	PM-42P	Overload Spring
62	PM-43P	Plunger
63	PM-44P	Check Ball
64	PM-45P	Plug Bolt
65	PM-46P	O-ring
Kit A	PM-SK	Seal Kit

Eagleman A Frame

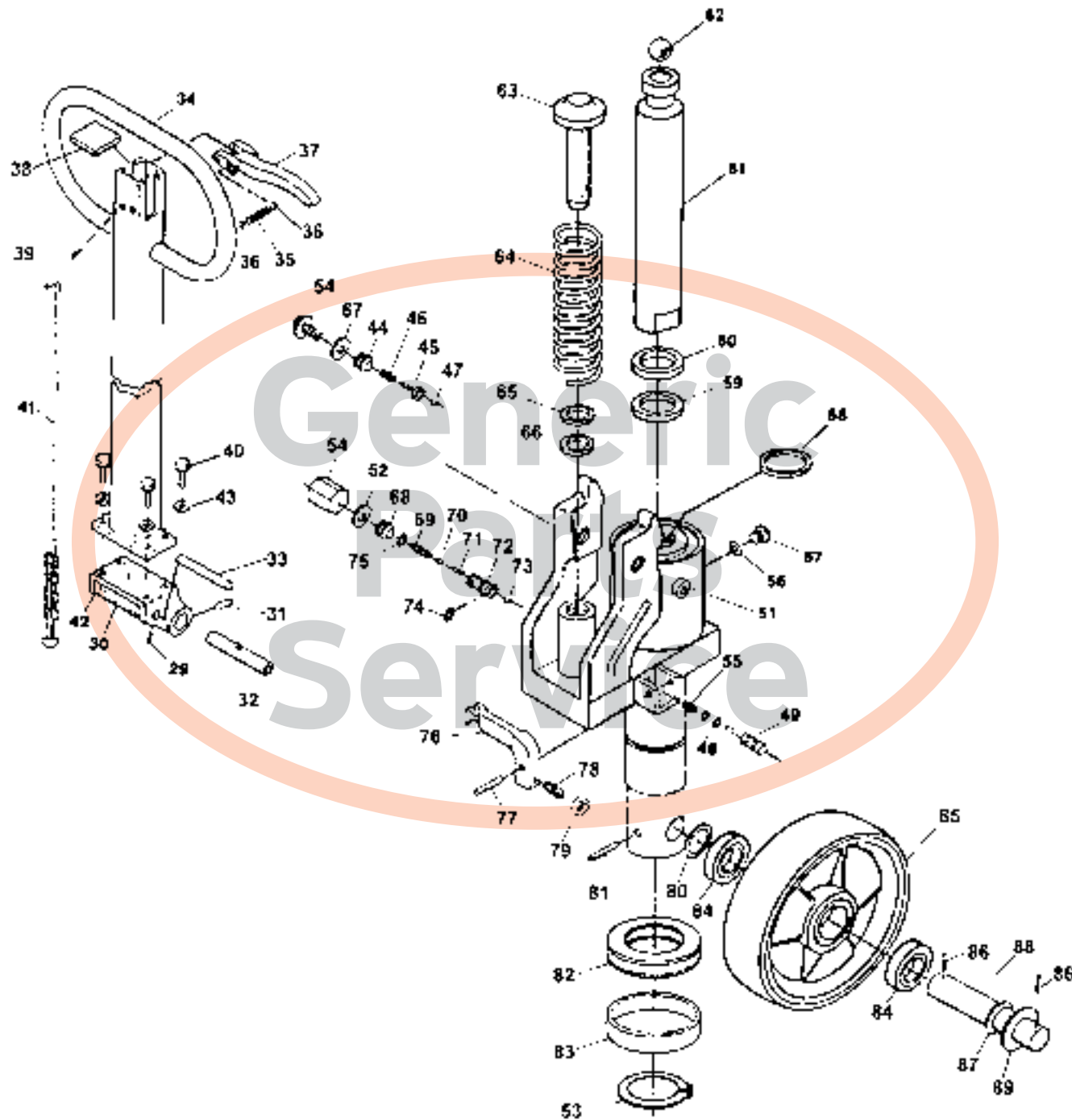


Eagleman A Frame

Item	Part No.	Description
2	A102	Lock Bolt
3	A103	Bushing
4	A104	Torsion Tube
5	A105	Shoulder Bolt
6	A106	Bushing
7	A107	Traverse
8	A108-New	Pin
9	A109-New	Cotter Pin
10	A110	Eye Bolt with Bushing
11	A111	Bushing
12	A112	Lock Nut
13	A113	Push Rod, 48" Forks
14	A114	Exit Roller
15	A115	Pivot Axle
16	A116	Roll Pin
17	A117	L/R Bracket (Pair, Includes Bushing)
18	A118	Snap Ring
19	A119	Lock Washer

Item	Part No.	Description
20	A120	Washer
21	A121	Load Shaft
22	A122	Bearing
23	A123-B	Load Roller Assembly, Red Ultra Poly On Aluminum Hub W/ Bearings, 3" Diameter
	A123-A	Load Roller Assembly, Black Ultra Poly On Steel Hub W/ Bearings, 3" Diameter
	A123-C	Load Roller Assembly, Nylon W/ Bearings, 3" Diameter
	A123-D	Load Roller Assembly, Steel W/ Bearings, 3" Diameter
24	A124	Lock Nut
25	A125	Pin
26	A126	Cotter Pin
27	A127	Entry Roller
28	A128	Entry Roller Shaft
29	A190	Roll Pin

Eagleman A Hydraulic Unit

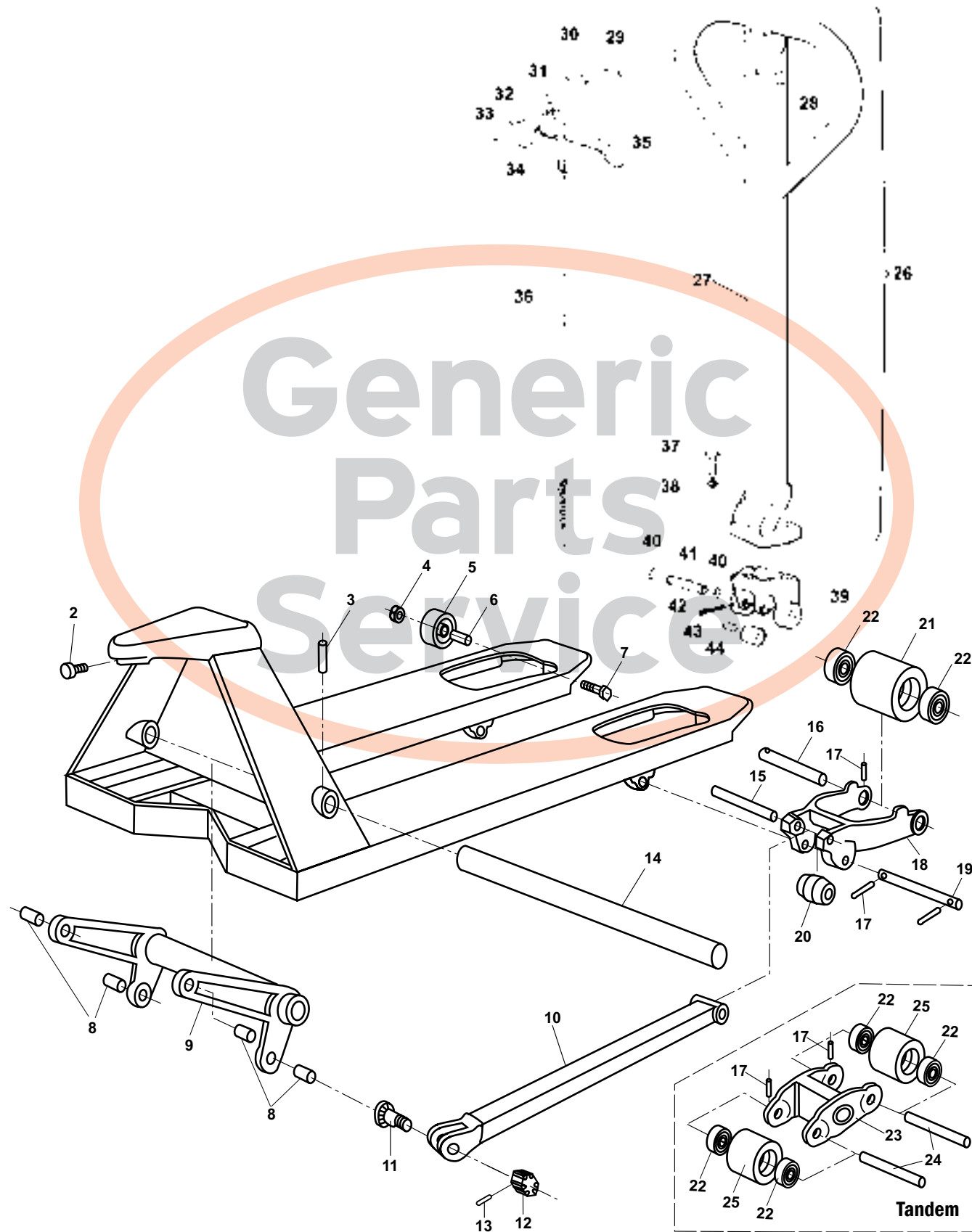


Eagleman A Hydraulic Unit

Item	Part No.	Description
29	A129	Pin
30	A130	Roller
31	A131	Roll Pin
32	A132	Handle Axle
33	A133	Roller Pin
34	A134	Handle Frame
	A194	Handle Assembly
35	A135	Spring
36	A136	Ball
37	A137	Control Lever
38	A138	Cap
39	A139	Roll Pin
40	A140	Bolt
41	A141	Rod and Chain (Orange Jack)
	A141-New	Rod and Chain (Grey Jack)
42	A142	Bracket
43	A143	Lock Washer
44	C A144	Plug
45	C A145	Overload Valve
46	C A146	Spring
47	C A147	Ball
48	A148	O-Ring
49	A149	Release Valve
50	A150	Nut
51	A151	Bushing
52	B A152	Washer
53	A153	Snap Ring
54	A154	Plug Bolt
55	A155	Spring
56	A156	O-Ring
57	A157	Filler Screw
58	A A158	Top Seal
59	A A159	Bottom Seal
60	A A160	Wiper
61	A161	Lift Piston
62	A162	Ball
63	A163	Piston
64	A164	Spring
65	A A165	Wiper

Item	Part No.	Description
66	A A166	Seal
67	C A167	O-Ring
68	B A168	Plug Bolt
69	B A169	Spring
70	B A170	Ball
71	B A171	Pin
72	B A172	Valve
73	B A173	Ball
74	B A174	O-Ring
75	B A175	O-Ring
76	A176	Release Valve Lever
77	A177	Roll Pin
78	A178	Adjust Screw
79	A179	Lock Nut
80	A180	Washer
81	A181	Roll Pin
82	A182	Thrust Bearing
83	A183	Bearing Holder
84	A184	Bearing
85	A185-A	Steer Wheel Assembly, Red Ultra Poly On Aluminum Hub W/ Bearings, 8" Diameter
	A185-B	Steer Wheel Assembly, Poly On Nylon Hub W/ Bearings, 8" Diameter
	A185-C	Steer Wheel Assembly, Nylon W/ Bearings, 8" Diameter
	A185-D	Steer Wheel Assembly, Steel W/ Bearings, 8" Diameter
86	A186	Roll Pin
87	A187	Washer
88	A188	Steer Wheel Axle
89	A189	Washer
KITS	A A191	Seal Kit
KITS	B A192	Valve Kit
KITS	C A193	Overload Kit
	HU EA A195	Rebuilt Hydraulic Unit - Exchange

Global 334475 Frame

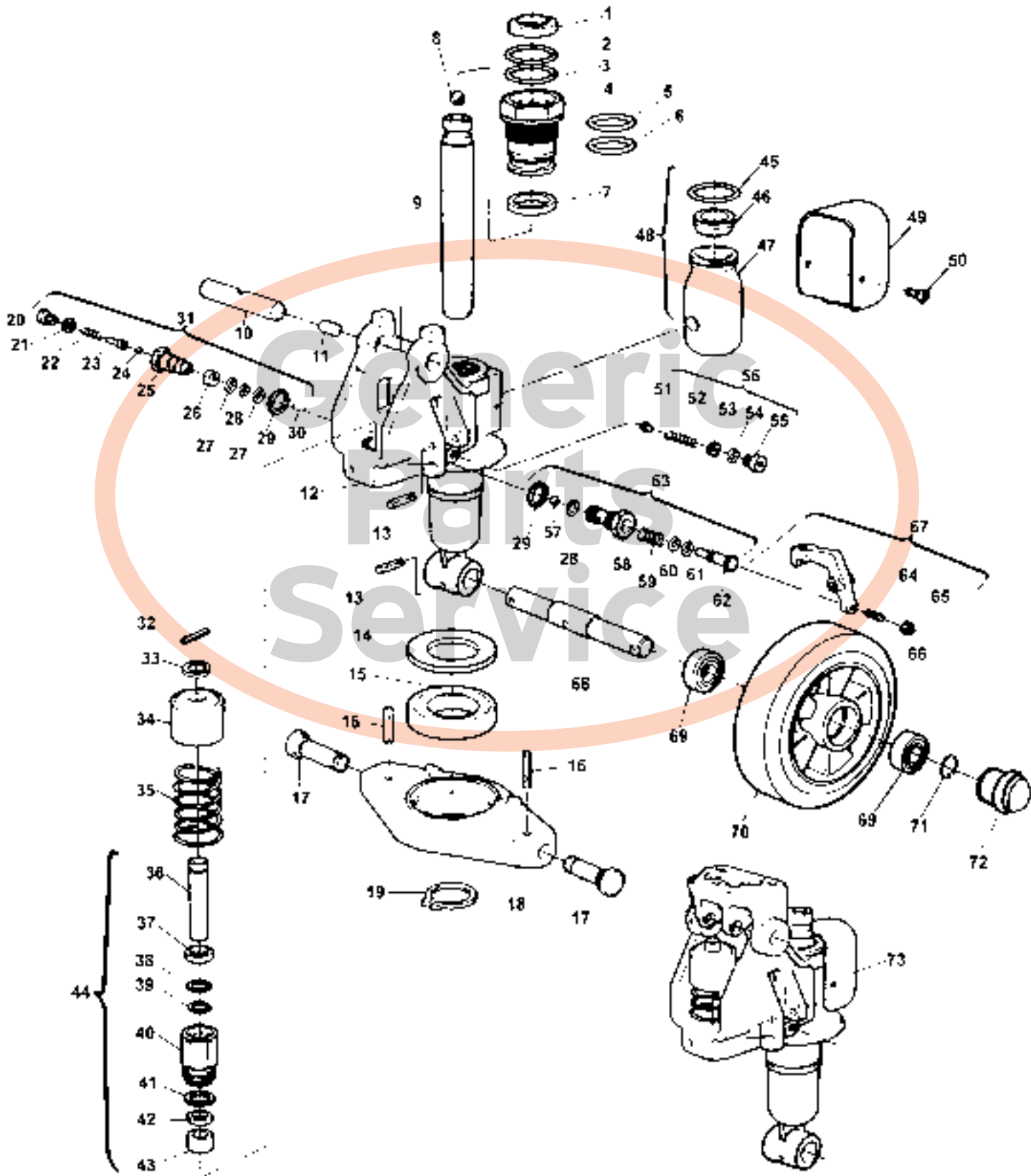


Global 334475 Frame

Item	Part No.	Description
2	F103	Screw
3	F1502	Roll Pin
4	F106	Nut
5	F108	Entry Roller
6	F109	Sleeve
7	F111	Bolt
8	F102	Bushing
9	F1501	Lifting Link Assembly, 27" wide frame
10	F1518	Push Rod, 48" fork
11	F126	Eccentric Pin
12	F123	Nut
13	F124	Spring Pin
14	F1503	Lifting Link Shaft, 27" wide frame
15	F1516	Shaft
16	F1515	Load Wheel Axle
17	F112	Spring Pin
18	F1514	Load Wheel Bracket
19	F1512	Pivot Axle
21	F1511B	Load Roller Assembly (Single) Black Ultra Poly on Steel
22	F115	Bearing
23	F1507	Load Wheel Bracket (Tandem)

Item	Part No.	Description
24	F1505	Axle Bolt Assembly, Includes Sleeve & Lock Nut
25	F1510B	Load Roller Assembly (Tandem) Black Ultra Poly on Steel
26	H101-A	Handle Assembly
27	H101	Handle Frame
28	H108	Rubber Cushion
29	H103	Blade Spring
30	H104	Spring Pin
31	H111	Roller
32	H105	Spring Pin
33	H102	Spring Pin
34	H112	Spring Pin
35	H106	Control Lever
36	H107	Rod and Chain Assembly
37	H109	Handle Bolt
38	H110	Lock Washer
39	H103	Handle Bracket
40	H108	Snap Ring
41	107	Shaft
42	106	Spring Pin
43	105	Bushing
44	104	Steel Roller

Global 334475 Hydraulic Unit

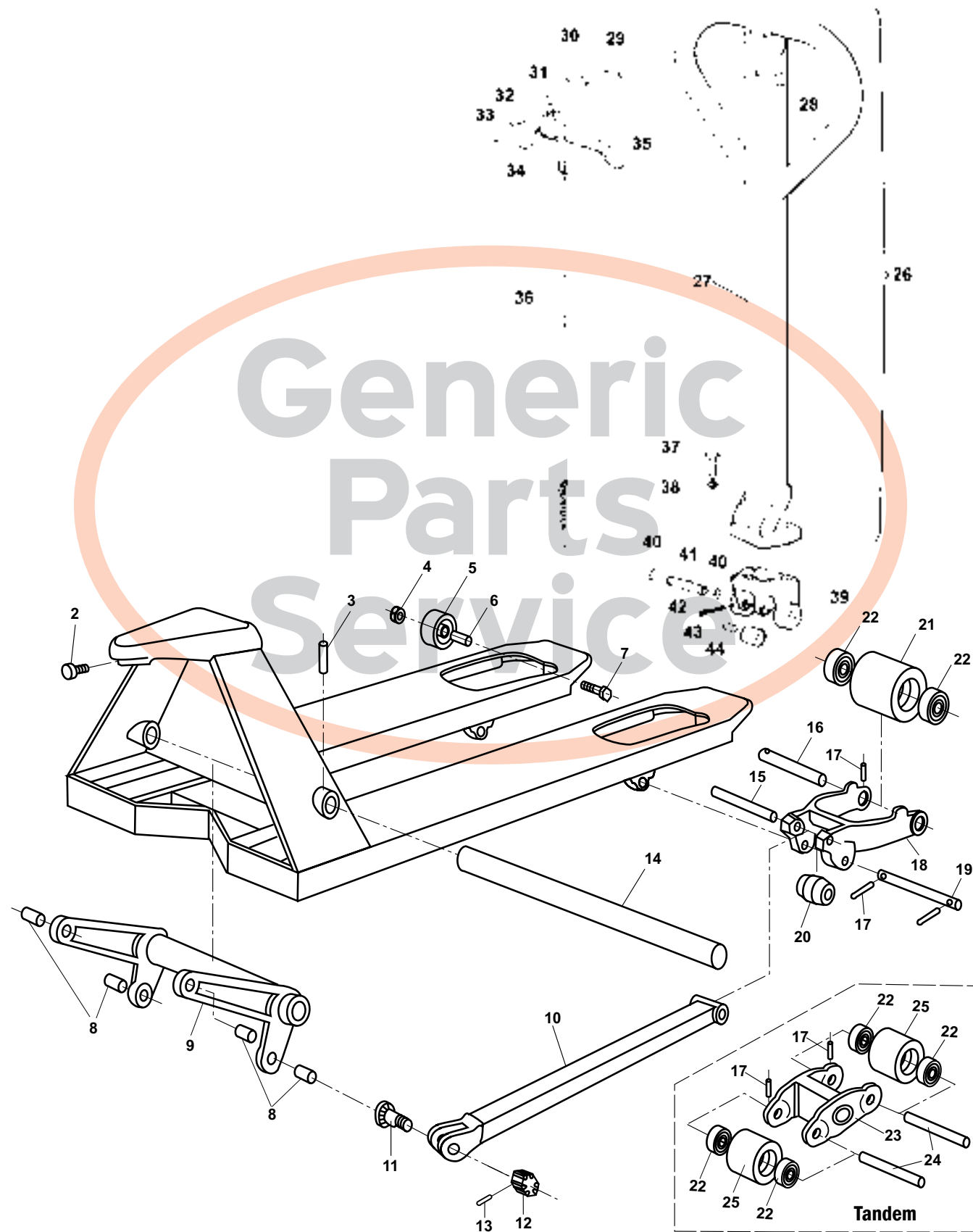


Global 334475 Hydraulic Unit

Item	Part No.	Description
1	A 156	Scraper
2	170	Retainer
3	A 157	O-Ring
4	159H	Top Nut
5	A 157-1	O-Ring
6	A 158H	O-Ring
7	A 160H	U-Cup
8	101	Ball
9	102	Ram
10	109	Handle Pin
11	120	Bushing
12	122H	Pump Body
13	121	Roll Pin
14	123	Dust Cover
15	124	Thrust Bearing
16	154	Roll Pin
17	155	Shoulder Pin
18	153	Traverse
	153-A	Traverse Assembly (Includes Item 15)
19	152	Snap Ring
20	110	Screw Plug
21	A 111	Washer
22	112	Spring
23	113	Spring Guide
24	114	Ball
25	115	Valve Body
26	116	Spring
27	166	Retainer
28	A 117	O-Ring
29	A 118	Washer
30	119	Valve Pin
31	115-A	Valve Assembly
32	142	Roll Pin
33	143	Retaining Cover
34	144	Spring Cap
	144-A	Spring Cap Assembly (Includes Items 32-34)
35	145	Spring
36	146	Piston
37	A 147	Scraper
38	A 168	Retainer
39	A 169	O-Ring
40	148	Pump Cylinder
41	A 151	Washer
42	A 149	U-Cup

Item	Part No.	Description
43	150	Nylon Bushing
44	146-A	Pump Piston Assembly (Includes Items 36-43)
45	A 161H	O-Ring
46	162H	Filler Plug
47	165H	Reservoir
48	165H-A	Reservoir Assembly (Includes Items 45,46,47 & Pint of Oil)
49	163H	Cowling
	163H-A	Cowling Assembly (Includes Items 49 & 50)
50	164H	Screw
51	134	Valve
52	135	Spring
53	136	Adjusting Screw
54	A 137	O-Ring
55	138	Screw
56	138-A	Safety Valve Assembly (Includes Items 51-55)
57	129	Ball
58	130	Release Valve Body
59	131	Spring
60	A 132	O-Ring
61	167	Retainer
62	133	Release Pin
63	130-A	Plunger Assembly (Incl. Items 28, 29 & 57-62)
64	139H	Release Lever
65	140H	Adjusting Screw
66	141	Nut
67	139H-A	Activator (Includes Items 64 - 66)
68	125	Steer Wheel Axle
69	126	Bearing
70	127-A-HD	Steer Wheel Assembly, Ultra-Poly On Aluminum Hub W/ Bearings
	127-A-ST	Steer Wheel Assembly, Poly On Nylon Hub W/ Bearings
	127-A-N	Steer Wheel Assembly, Nylon W/ Bearings
	GWK-334475-CK	Complete Wheel Kit, Poly on Nylon SW's Poly on Steel LW's w/Bearings Axles & Fasteners
71	128	Snap Ring
72	171	Dust Cover
73	100-AM	Hydraulic Unit, New After-Market Replacement
	HU HL100	Rebuilt Hydraulic Unit - Exchange
KITS	A 99	Seal Kit

Hu-Lift HP25L Frame

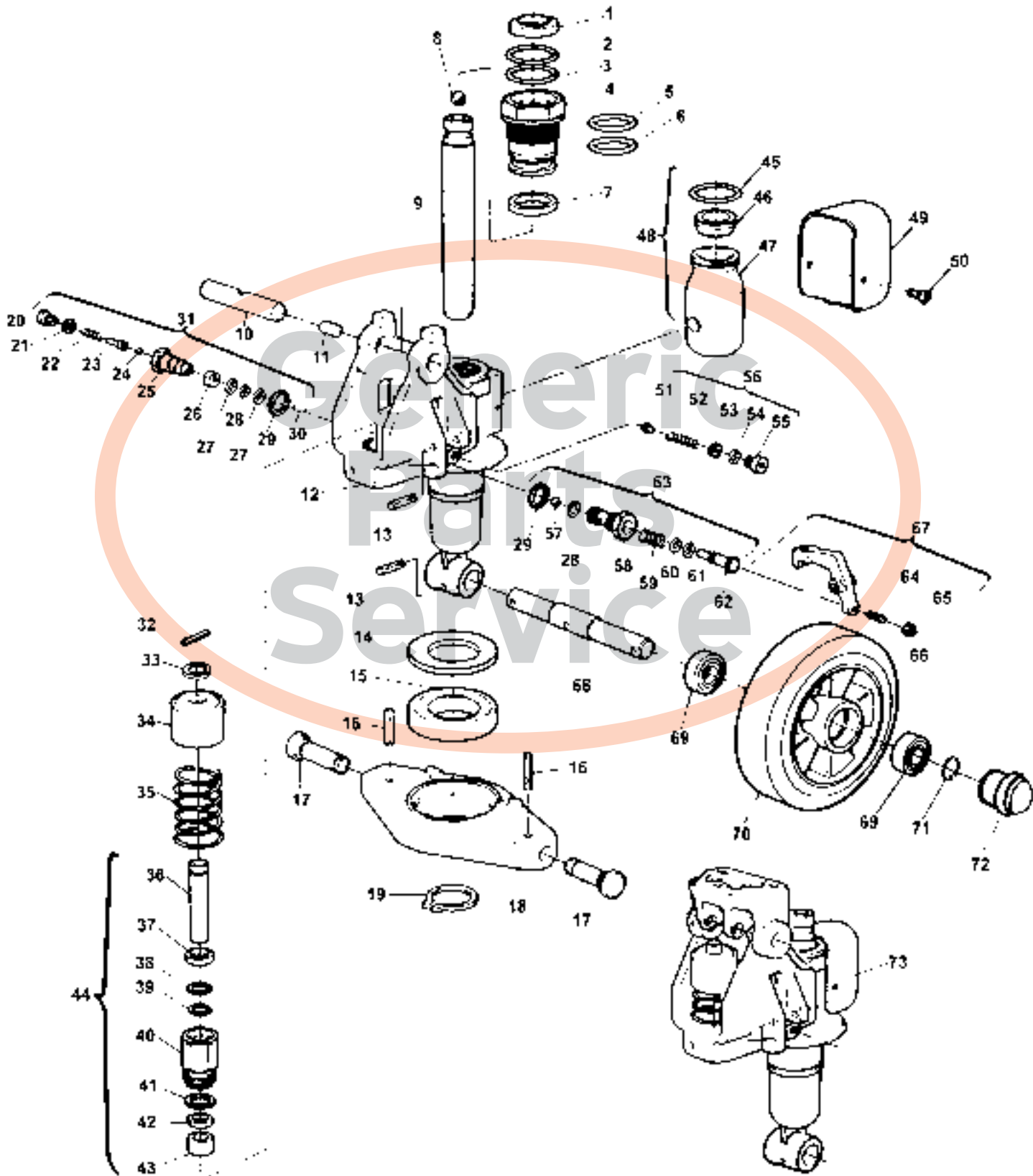


Hu-Lift HP25L Frame

Item	Part No.	Description
2	F103	Hex Socket Screw
3	F104	Roll Pin
4	F106	Nut
5	F108	Entry Roller
6	F109	Sleeve
7	F111	Bolt
8	F102	Bushing
9	F101	Lifting Link Assembly, 27" Wide Jack
10	F125	Push Rod, 48" Fork
11	F126	Eccentric Pin
12	F123	Nut
13	F124	Split Pin
14	F105	Lifting Link Shaft, 27" Wide Jack
15	F122	Push Rod Axle
16	F121	Load Wheel Axle
17	F112	Roll Pin
18	F120	Load Roller Bracket (Single)
19	F118	Axle
20	F119	Exit Roller
21	F117B-A	Load Roller Assembly, Black Ultra-Poly On Steel Hub W/ Bearings,
	F117A-A	Load Roller Assembly, Nylon W/ Bearings
22	F115	Bearing
23	F113	Load Roller Bracket (Tandem)

Item	Part No.	Description
24	F114	Load Roller Axle (Tandem)
25	F116B-A	Load Roller Assembly (Tandem), Black Ultra-Poly On Steel Hub W/ Bearings
26	H101-A	Handle Assembly (Includes Items 27 through 36)
27	H101	Handle (See Item 26)
28	H108	Rubber Cushion
29	H103	Handle Spring
30	H104	Roll Pin
31	H111	Nylon Roller
32	H105	Roll Pin
33	H102	Roll Pin
34	H112	Roll Pin
35	H106	Control Lever
36	H107	Rod and Chain
37	H109	Handle Bolt
38	H110	Lock Washer
39	103	Handle Bracket
	103-A	Bracket Assembly (Includes Items 39-41, 43, 44)
40	108	Snap Ring
41	107	Shaft
42	106	Roll Pin
43	105	Bushing
44	104	Steel Roller

Hu-Lift HP25L Hydraulic Unit

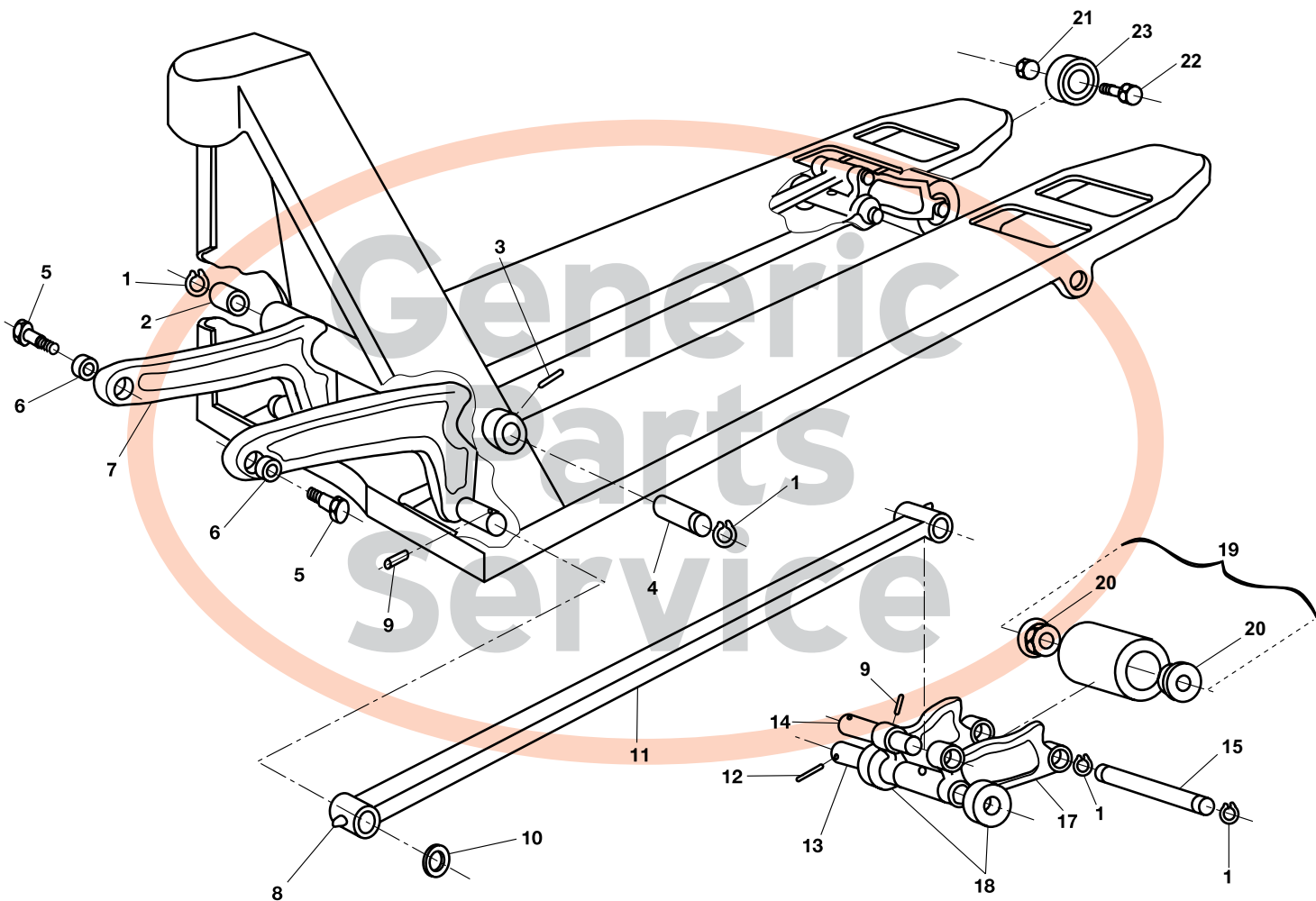


Hu-Lift HP25L Hydraulic Unit

Item	Part No.	Description
1	A 156	Scraper
2	170	Retainer
3	A 157	O-Ring
4	159H	Top Nut
5	A 157-1	O-Ring
6	A 158H	O-Ring
7	A 160H	U-Cup
8	101	Ball
9	102	Ram
10	109	Handle Pin
11	120	Bushing
12	122H	Pump Body
13	121	Roll Pin
14	123	Dust Cover
15	124	Thrust Bearing
16	154	Roll Pin
17	155	Shoulder Pin
18	153	Traverse
	153-A	Traverse Assembly (Includes Item 15)
19	152	Snap Ring
20	110	Screw Plug
21	A 111	Washer
22	112	Spring
23	113	Spring Guide
24	114	Ball
25	115	Valve Body
26	116	Spring
27	166	Retainer
28	A 117	O-Ring
29	A 118	Washer
30	119	Valve Pin
31	115-A	Valve Assembly
32	142	Roll Pin
33	143	Retaining Cover
34	144	Spring Cap
	144-A	Spring Cap Assembly (Includes Items 32-34)
35	145	Spring
36	146	Piston
37	A 147	Scraper
38	A 168	Retainer
39	A 169	O-Ring
40	148	Pump Cylinder
41	A 151	Washer
42	A 149	U-Cup

Item	Part No.	Description
43	150	Nylon Bushing
44	146-A	Pump Piston Assembly (Includes Items 36-43)
45	A 161H	O-Ring
46	162H	Filler Plug
47	165H	Reservoir
48	165H-A	Reservoir Assembly (Includes Items 45,46,47 & Pint of Oil)
49	163H	Cowling
	163H-A	Cowling Assembly (Includes Items 49 & 50)
50	164H	Screw
51	134	Valve
52	135	Spring
53	136	Adjusting Screw
54	A 137	O-Ring
55	138	Screw
56	138-A	Safety Valve Assembly (Includes Items 51-55)
57	129	Ball
58	130	Release Valve Body
59	131	Spring
60	A 132	O-Ring
61	167	Retainer
62	133	Release Pin
63	130-A	Plunger Assembly (Includes Items 28, 29; & 57-62)
64	139H	Release Lever
65	140H	Adjusting Screw
66	141	Nut
67	139H-A	Activator (Includes Items 64 - 66)
68	125	Steer Wheel Axle
69	126	Bearing
70	127-A-HD	Steer Wheel Assembly, Ultra-Poly On Aluminum Hub W/ Bearings
	127-A-ST	Steer Wheel Assembly, Poly On Nylon Hub W/ Bearings
	127-A-N	Steer Wheel Assembly, Nylon W/ Bearings
71	128	Snap Ring
72	171	Dust Cover
73	100-AM	Hydraulic Unit, New After-Market Replacement
	HU HL100	Rebuilt Hydraulic Unit - Exchange
KITS	A 99	Seal Kit

Interthor K77 and K85 Frame

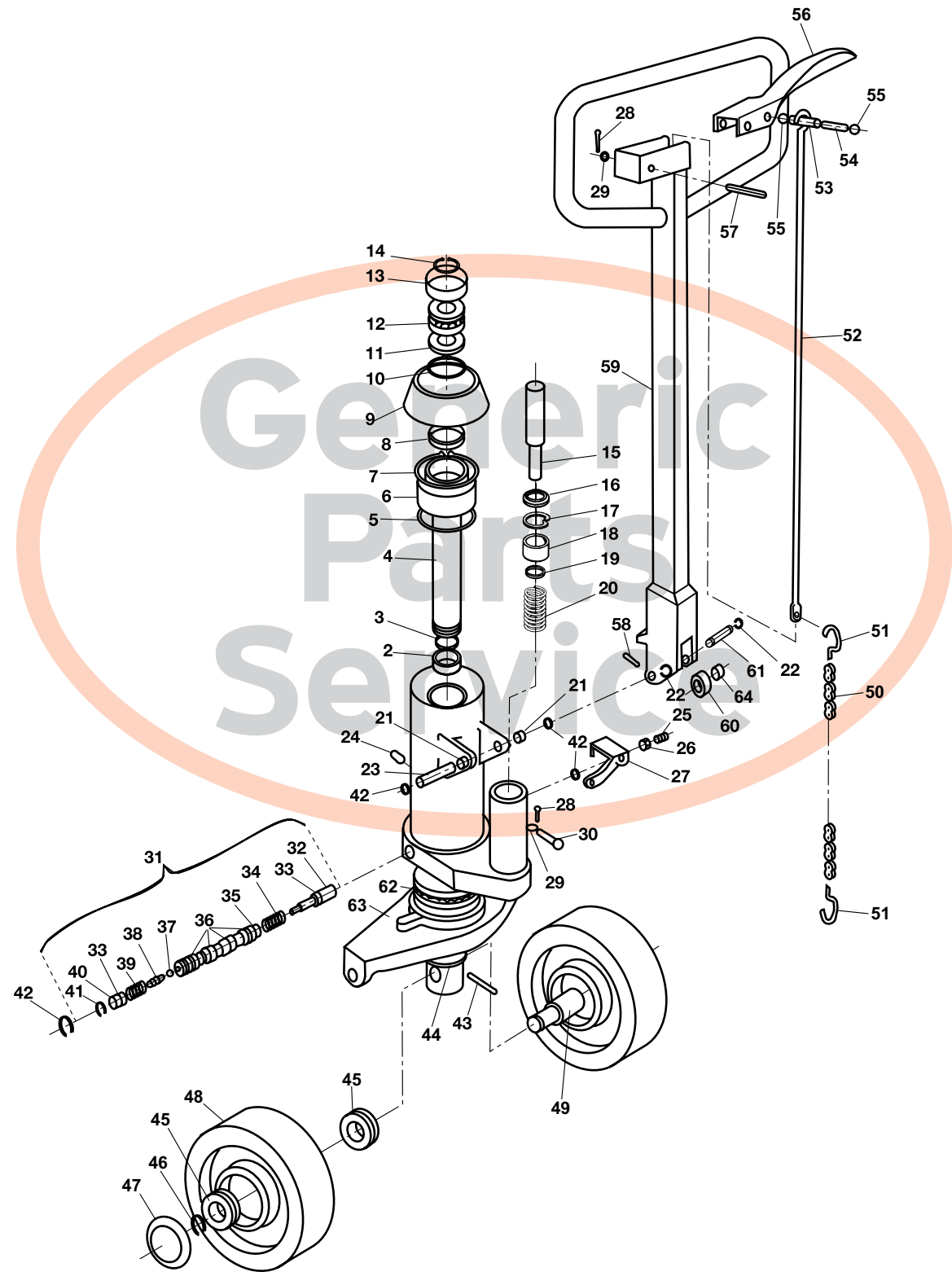


Interthor K77 and K85 Frame

Item	Part No.	Description
1	435.0015	Snap Ring
2	524.5040	Bushing
3	427.0440	Roll Pin
4	140.5153	Lifting Link Pins (Pair), 27" Wide Jack
5	140.5229	Shoulder Bolt
6	524.0014	Bushing
7	130.5156	Lifting Link, 27" Wide Jack
8	640.0002	Grease Fitting (Threaded)
9	427.0102	Roll Pin
10	140.5098	Washer
11	130.5086-D	Push Rod, 48" Forks
12	427.6127	Roll Pin
13	140.5095	Pivot Axle

Item	Part No.	Description
14	140.5099	Push Rod Axle
15	140.5094	Load Roller Axle
17	130.5068	Load Roller Bracket
18	140.5101	Exit Roller
19	140.5234-A	Load Roller Assembly, Black Ultra-Poly On Steel Hub W/ Bearings
	140.5233-A	Load Roller Assembly, Nylon W/ Bearings
	140.5235-A	Load Roller Assembly, Steel W/ Bearings
20	520.0001	Bearing
21	410.0004	Nut
22	300.0039	Bolt
23	140.5172	Entry Roller

Interthor K77 and K85 Hydraulic Unit

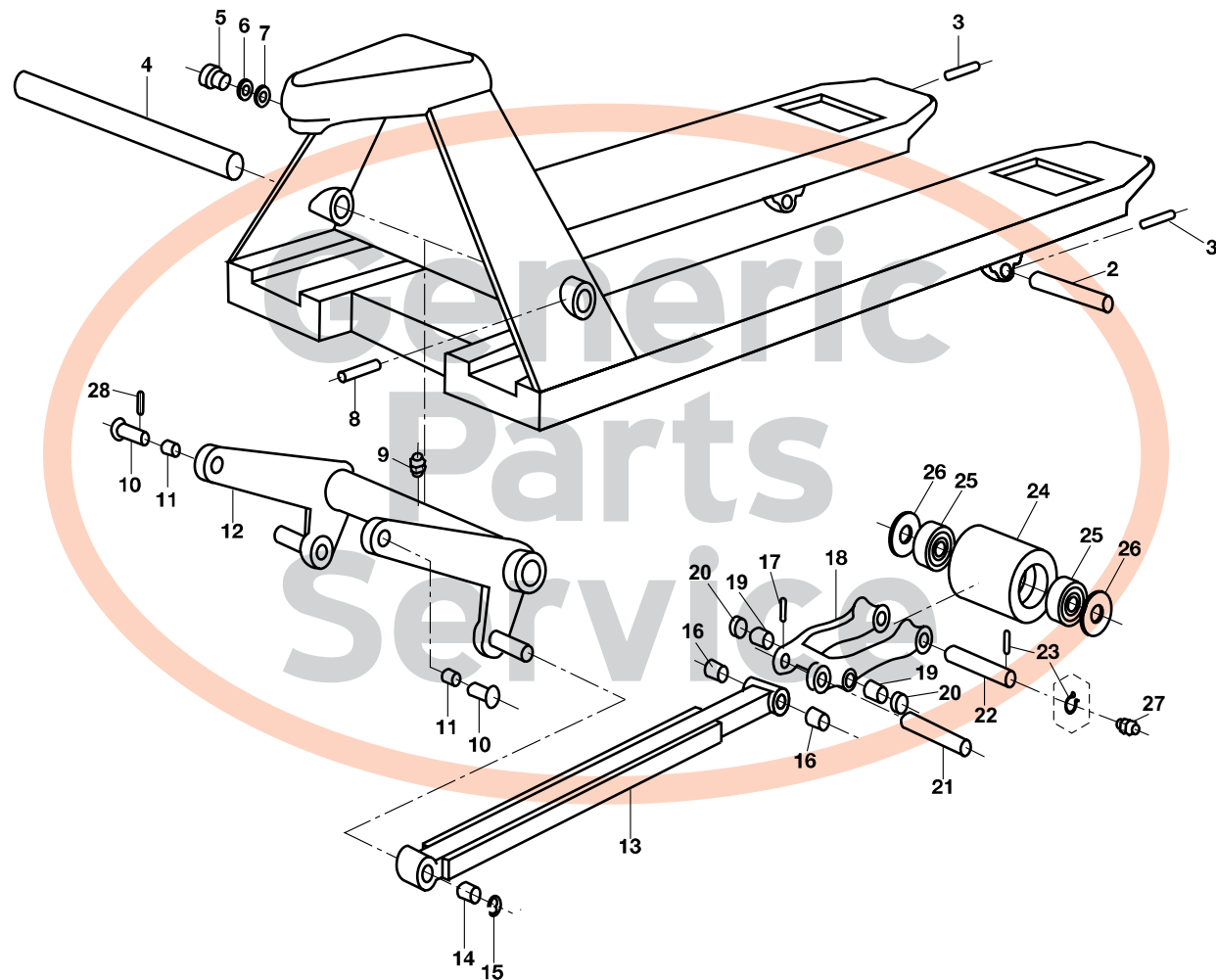


Interthor K77 and K85 Hydraulic Unit

Item	Part No.	Description
2	A 605.5080	U-Cup
3	A 140.6017	Nylon Bushing
4	140.6014	Ram
5	A 600.5028	O-Ring
6	140.6001	Bushing
7	430.0034	Snap Ring
8	A 611.0020	Scraper
9	140.6035	Cover
10	430.0029	Snap Ring
11	140.5111	Thrust Collar
12	518.0015	Thrust Bearing
13	140.5110	Bushing
14	435.0021	Snap Ring
15	140.6460	Piston
16	A 610.0006	Scraper
17	A 430.0070	Snap Ring
18	140.6461	Bushing
19	A 606.0010	U-Cup
20	A 140.6470	Handle Return Spring
21	524.0014	Bushing
22	435.0008	Snap Ring
23	140.6420	Handle Pin
24	630.2002	Filler Plug
25	315.0650	Set Screw
26	400.0003	Nut
27	130.6465	Release Lever
28	450.0020	Cotter Pin
29	415.0004	Washer
30	452.0032	Pin
31	140.6478	Valve Assembly (Includes Items 32-41)
32	140.6458	Plunger
33	A 600.0002	O-Ring
34	A 140.6471	Spring
35	130.6456	Valve Housing
36	A 600.0008	O-Ring

Item	Part No.	Description
37	A 549.0018	Ball
38	140.6459	Pin
39	A 140.6439	Spring
40	140.6457	Plug
41	430.0000	Snap Ring
42	435.0012	Snap Ring
43	427.0165	Roll Pin
44	435.0025	Snap Ring
45	512.0035	Bearing
46	435.0015	Snap Ring
47	140.5070	Hub Cap
48	130.5179-A	Steer Wheel Assembly, Poly On Nylon Hub W/ Bearings
	140.6149-A	Steer Wheel Assembly, Nylon W/ Bearings
	150.0000-A	Steer Wheel Assembly, Steel W/ Bearings
49	140.6050	Steer Wheel Axle
50	140.6479	Chain
51	140.6416	Hook
52	140.6474	Control Rod
53	140.6473	Sleeve
54	140.6472	Spring
55	549.0025	Ball
56	130.6467	Control Lever
57	452.0025-R	Roll Pin
58	427.0065	Roll Pin
59	130.6476	Handle Assembly
60	143.0005	Roller
61	140.6414	Pin
62	518.0022	Traverse Bearing
63	130.5133	Traverse
64	524.0008	Bushing
KITS	A K-77	Complete Seal Kit
	HU IN K77	Rebuilt Hydraulic Unit - Exchange

Jet A, L and J Frame



Jet A, L and J Frame

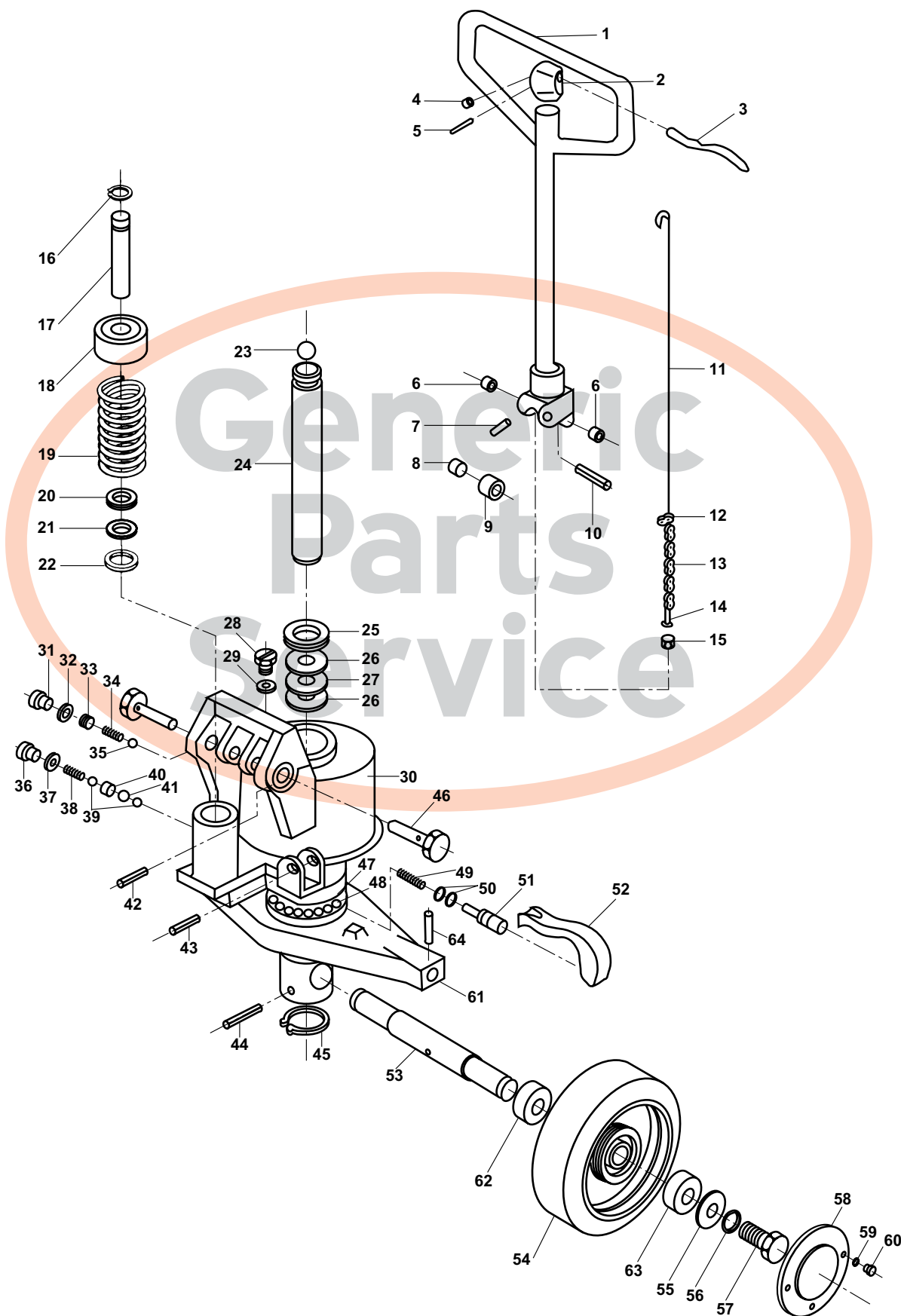
Item	Part No.	Description
2	PT2748L-078	Pivot Axle
	PT2748J-078	Pivot Axle
3	PT2748A-079	Spring Pin
	PT2748J-079	Spring Pin
4	PT2748A-071	Lifting Link Shaft, 27" Wide Jack
	PT2048A-071	Lifting Link Shaft, 20" Wide Jack
5	PT2748A-070	Bolt
6	PT2748A-069	Lock Washer
7	PT2748A-068	Washer
8	PT2748A-077	Spring Pin
9	PT2748A-073	Grease Fitting
10	PT2748A-074	Shoulder Pin
11	PT2748A-075	Bushing
12	PT2748A-076	Lifting Link, 27" Wide Jack
	PT2048A-076	Lifting Link, 20" Wide Jack
13	PT2736L-088	Push Rod, 36" Fork
	PT2742L-088	Push Rod, 42" Fork
	PT2748L-088	Push Rod, 48" Fork
	PT2748J-088	Push Rod, 48" Fork
14	PT2748A-090	Bushing
15	PT2748A-089	E-Ring
16	PT2748A-087	Bushing
	PT2748J-087	Bushing
17	PT2748A-081	Roll Pin
18	PT2748L-083	Load Wheel Bracket
	PT2748J-083	Load Wheel Bracket
19	PT2748L-085	Bushing
	PT2748J-085	Bushing
20	PT2748L-084	Exit Roller
21	PT2748L-086	Push Rod Pin Axle
	PT2748J-086	Push Rod Pin Axle
22	PT2748A-082	Load Roller Axle W/ Zerk, Before Serial # 704xxx
	PT2748J-082	Load Roller Axle W/ Zerk, After Serial #704xxx
23	PT2748L-081	Roll Pin, Use W/ PT2748A-082
	PT2748J-081	Snap Ring, Use W/ PT2748J-082

Item	Part No.	Description
24	PT2748A-080-D	Load Roller Assembly, Model A, Red Ultra-Poly On Aluminum Hub W/ Bearings
	PT2748A-080	Load Roller Assembly, Model A, Black Ultra-Poly On Steel Hub W/ Bearings
	GWK-JETA-LW	Load Wheel Kit, Model A, (2) Ultra-Poly Load Roller Assemblies, W/ Bearings, Axles & Fasteners
	GWK-JETA-CK	Complete Wheel Kit, Model A, (2) Load Roller Assemblies, (2) Steer Wheel Assemblies W/ Bearings, Axles and Fasteners
	PT2748L-080	Load Roller Assembly, Model L, Black Ultra-Poly On Steel Hub W/ Bearings
	GWK-JETL-LW	Load Wheel Kit, Model L, (2) Ultra-Poly Load Roller Assemblies, W/ Bearings, Axles & Fasteners
	GWK-JETL-CK	Complete Wheel Kit, Model L, (2) Load Roller Assemblies, (2) Steer Wheel Assemblies W/ Bearings, Axles and Fasteners
	PT2748J-080	Load Roller Assembly, Model J, Black Ultra-Poly On Steel Hub W/ Bearings
	PT2748J-080-N	Load Wheel Assembly, Model J, Nylon W/ Bearings
	GWK-JETJ-LW	Load Wheel Kit, Model J, (2) Ultra-Poly Load Roller Assemblies, W/ Bearings, Axles & Fasteners
	GWK-JETJ-CK	Complete Wheel Kit, Model J, (2) Load Roller Assemblies, (2) Steer Wheel Assemblies W/ Bearings, Axles and Fasteners
25	PT2748L-080-BS	Bearing, OEM Wheel Only
26	PT2748L-080BNS	Washer
27	PT2748A-082B	Grease Fitting, Use W/ PT2748J-082 Before Serial # 704xxx
28	PT2748A-054	Roll Pin

Load Wheel Kit



Jet A, L and J Hydraulic Unit

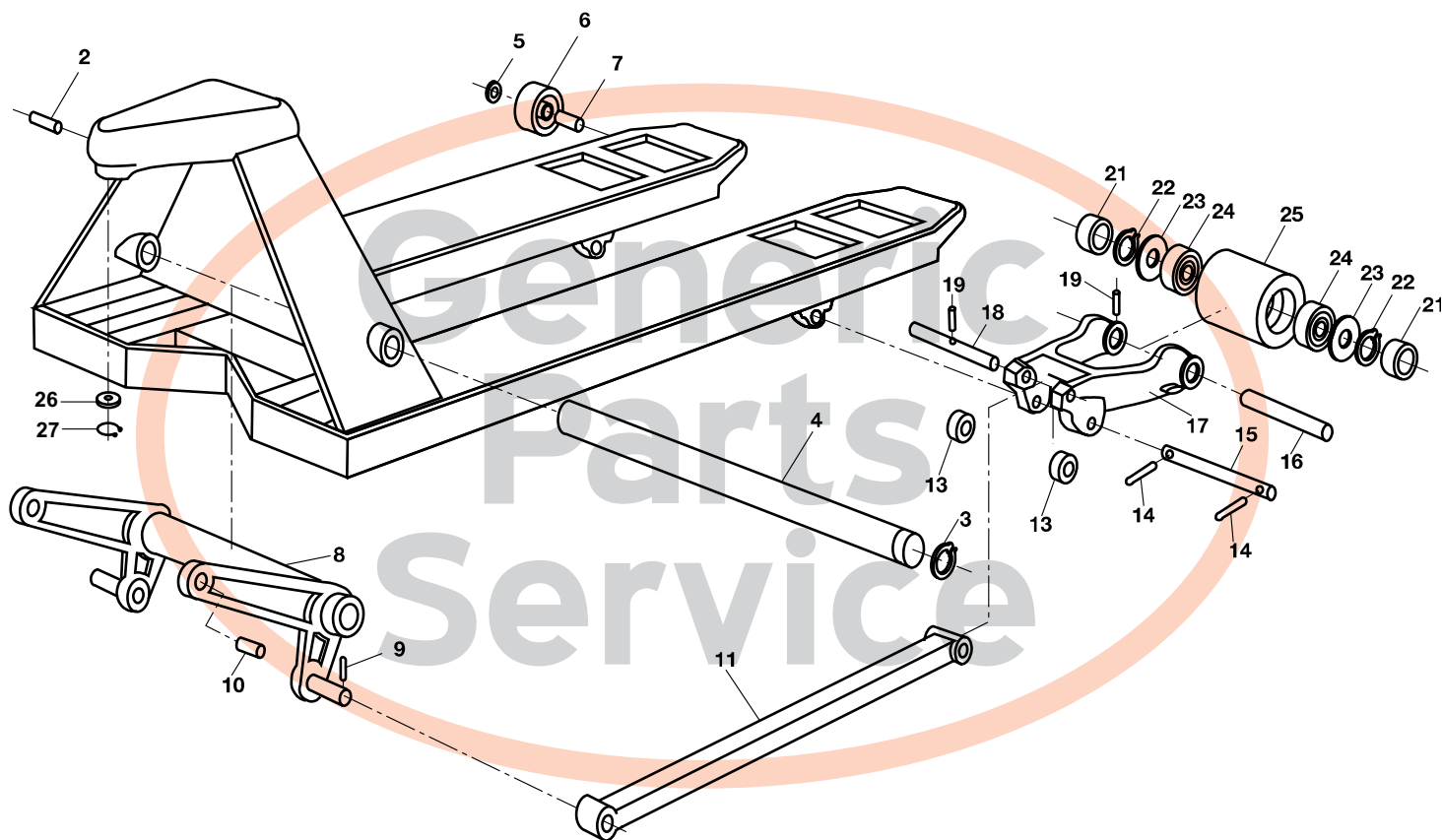


Jet A, L and J Hydraulic Unit

Item	Part No.	Description
1	PT2748A-001	Handle Assembly (Includes Items 1-15)
2	PT2748A-002	Handle Cap
3	PT2748A-003	Control Lever
4	PT2748A-004	Screw
5	PT2748A-005	Roll Pin
6	PT2748A-006	Bushing
7	PT2748A-007	Spring Pin
8	PT2748A-008	Bushing
9	PT2748A-009	Roller
10	PT2748A-010	Roller Pin
11	PT2748A-011	Release Rod
12	PT2748A-012	Chain Joint
13	PT2748A-013	Chain
14	PT2748A-014	Anchor Bolt
15	PT2748A-015	V-Nut
16	PT2748A-032	Snap Ring
17	PT2748A-033	Pump Piston
18	PT2748A-034	Spring Cap
19	PT2748A-035	Spring
20	A PT2748A-020	Dust Seal
21	A PT2748A-021	Back-Up Ring
22	A PT2748A-022	O-Ring
	A PT2748J-020	U-Cup
23	PT2748A-024	Ball
24	PT2748A-025	Ram Piston, Before Serial #704xxx (Located On Pump)
	PT2748A-025A	Ram Piston, After Serial #704xxx (Located On Pump)
	PT2748J-025	Ram Piston (J Model)
25	A PT2748A-016	Dust Seal
26	A PT2748A-017	O-Ring
	A PT2748J-016	U-Cup
27	A PT2748A-018	Back-Up Ring
28	PT2748A-026	Oil Plug
29	A PT2748A-023	O-Ring
30	PT2748A-109	Pump Housing, New (Replaces PT2748-109)
	HU JT PT2748A/L	Rebuilt Hydraulic Unit - Exchange
31	PT2748A-027	Pressure Adjustment Screw
32	A PT2748A-028	O-Ring
33	PT2748A-029	Release Screw
34	PT2748A-030	Spring
35	PT2748A-031	Steel Ball
36	PT2748A-036	Release Plug

Item	Part No.	Description
37	PT2748A-037	Washer
38	PT2748A-038	Outer Spring
	PT2748A-038A	Inner Spring (Not Shown)
39	PT2748A-040	Ball
40	PT2748A-039	Valve Housing
41	PT2748A-040A	Steel Ball
42	PT2748A-041	Spring Pin
43	PT2748A-042	Spring Pin
44	PT2748A-044	Spring Pin
45	PT2748A-043	Snap Ring
46	PT2748A-048	Handle Pin
47	PT2748A-049	Washer
48	PT2748A-050	Thrust Bearing
49	PT2748A-051	Spring
50	A PT2748A-019	O-Ring
51	PT2748A-052	Release Pin
52	PT2748A-053	Actuator
53	PT2748A-046	Wheel Shaft
54	PT2748L-103	Steer Wheel Assembly, Model L, Black Ultra-Poly W/ Bearings
	GWK-JETL-CK	Complete Wheel Kit, Model L, (2) Ultra-Poly Load Roller Assemblies, (2) Poly Steer Wheel Assemblies, W/ Bearings, Axles & Fasteners
	PT2748A-060-HD	Steer Wheel Assembly, Model A or J, Red Ultra-Poly On Aluminum Hub W/ Bearings
	PT2748A-060-ST	Steer Wheel Assembly, Model A or J, Black Ultra-Poly On Nylon W/ Bearings
	GWK-JETA-CK	Complete Wheel Kit, Model A, (2) Ultra-Poly Load Roller Assemblies, (2) Poly Steer Wheel Assemblies, W/ Bearings, Axles & Fasteners
	GWK-JETJ-CK	Complete Wheel Kit, Model J, (2) Ultra-Poly Load Roller Assemblies, (2) Poly Steer Wheel Assemblies, W/ Bearings, Axles & Fasteners
55	PT2748A-062	Washer
56	PT2748A-063	Lock Washer
57	PT2748A-064	Bolt
58	PT2748A-061	Hub Cap (OEM Wheel Only)
59	PT2748A-065	Lock Washer (OEM Wheel Only)
60	PT2748A-066	Screw (OEM Wheel Only)
61	PT2748A-055	Traverse
62	PT2748A-103-BS-1	Steer Wheel Ball Bearing, 25mm ID
63	PT2748A-103-BS-2	Steer Wheel Ball Bearing, 25mm ID
64	PT2748A-054	Roll Pin
KITS	A PT2748A-101	Complete Seal Kit, Model A,L & J

Jet W Frame



Jet W Frame

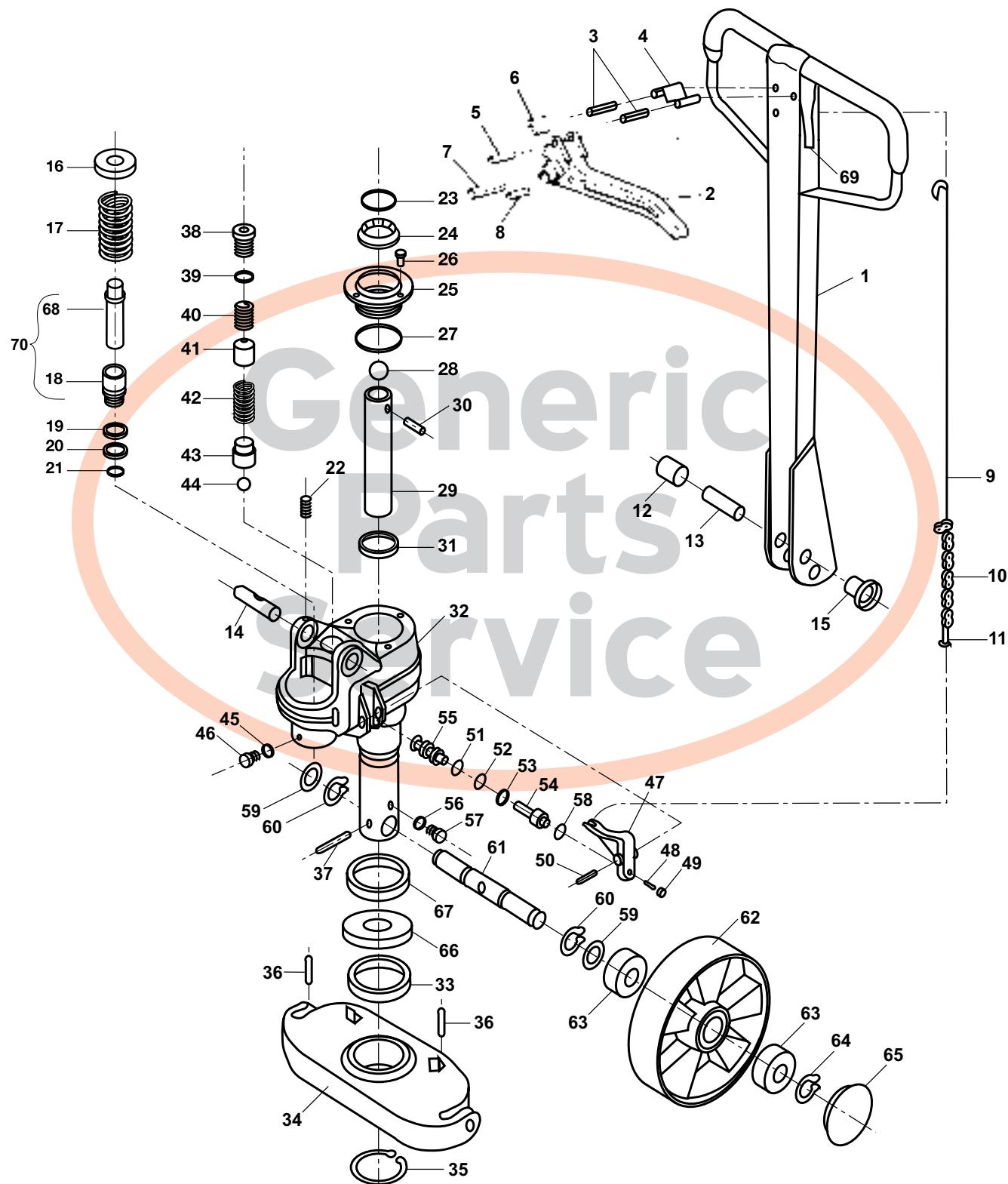
Item	Part No.	Description
2	PT2748W-02	Roll Pin
3	PT2748W-33	Snap Ring
4	PT2748W-34	Lifting Link Shaft, 27" Wide Jack
	PT2048W-34	Lifting Link Shaft, 20" Wide Jack
5	PT2748W-36	Snap Ring
6	PT2748W-37	Entry Roller
7	PT2748W-38	Shaft
8	PT2748W-14	Lifting Link, 27" Wide Jack
	PT2048W-14	Lifting Link, 20" Wide Jack
9	PT2748W-04	Roll Pin
10	PT2748W-13	Shoulder Pin
11	PT2748W-17	Push Rod, 48" Forks
	PT2742W-17	Push Rod, 42" Forks
	PT2736W-17	Push Rod, 36" Forks
13	PT2748W-19	Exit Roller
14	PT2748W-18	Spring Pin

Item	Part No.	Description
15	PT2748W-26	Pivot Shaft
16	PT2748W-27	Load Roller Axle
17	PT2748W-22	Load Wheel Bracket
18	PT2748W-21	Push Rod Axle
19	PT2748W-18	Spring Pin
21	PT2748W-28	Spacer (OEM Wheel Only)
22	PT2748W-31	Locking Ring (OEM Wheel Only)
23	PT2748W-30	Washer (OEM Wheel Only)
24	PT2748W-29-BS	Bearing
25	PT2748W-29	Load Roller Assembly, Black Ultra-Poly on Steel Hub W/ Bearings
	PT2748W-29-N	Load Roller Assembly, Nylon W/ Bearings
	GWK-JETW-LW	Load Wheel Kit, (2) Ultra-Poly Load Roller Assemblies, W/ Bearings, Axles & Fasteners
26	PT2748W-69A	Washer
27	PT2748W-69B	Snap Ring

Load Wheel Kit



Jet W Hydraulic Unit

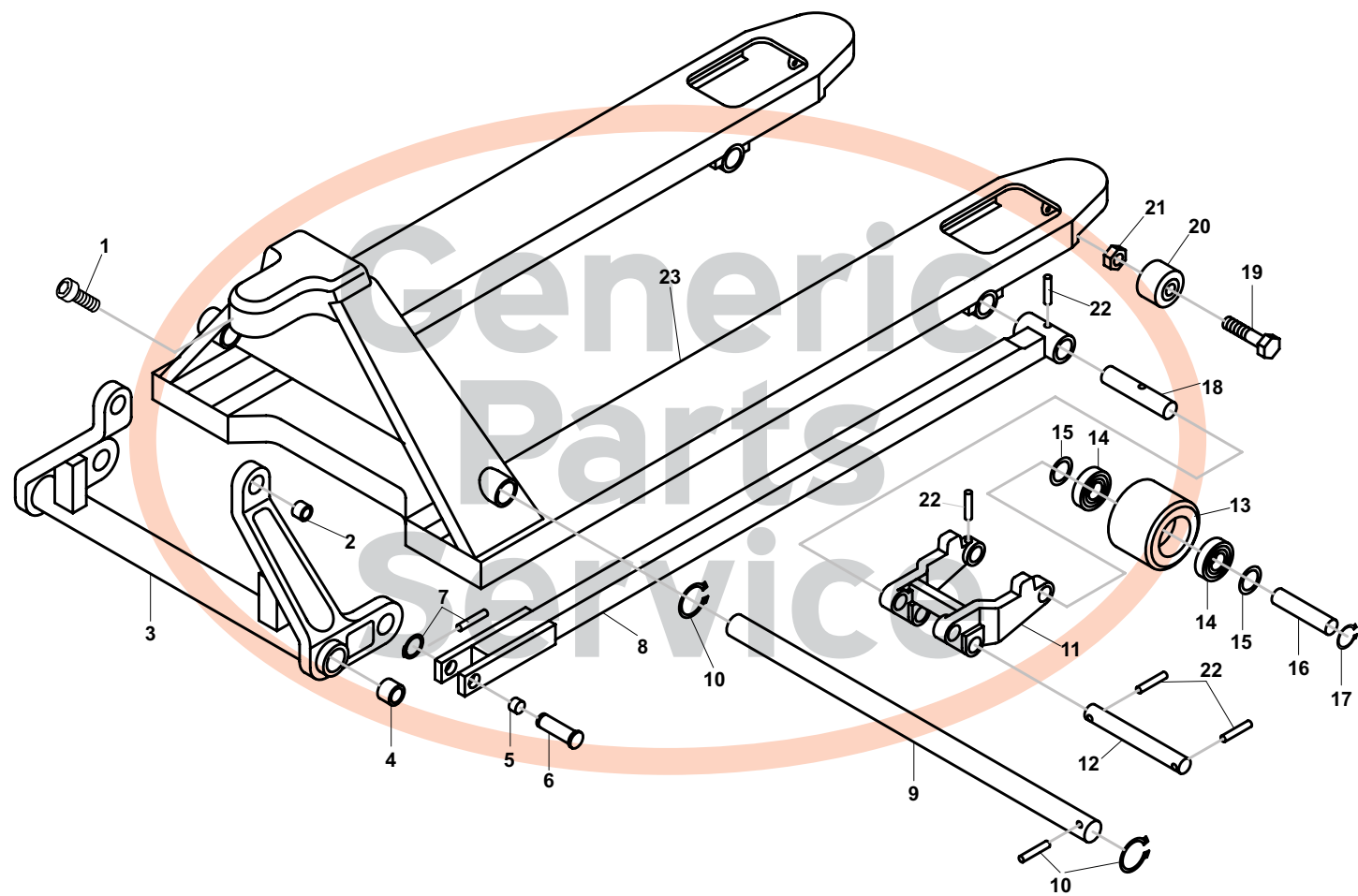


Jet W Hydraulic Unit

Item	Part No.	Description
1	PT2748W-01	Handle Assembly (Includes Items 1 - 13, 69)
2	PT2748W-44	Control Lever
3	PT2748W-51	Roll Pin
4	PT2748W-52	Spring For Control Lever
5	PT2748W-40	Roll Pin
6	PT2748W-39	Stop Roller (Cam)
7	PT2748W-42	Roll Pin
8	PT2748W-43	Roll Pin
9	PT2748W-45	Lowering Linkage
10	PT2748W-46	Chain
11	PT2748W-47	Anchor Pin
12	PT2748W-48	Pressure Roller
13	PT2748W-49	Pressure Roller Shaft
14	PT2748W-50	Handle Axle
15	PT2748W-53	Flanged Bushing
16	PT2748W-54	Spring Cap
17	PT2748W-55	Plunger Spring
18	PT2748W-56	Plunger
19	A PT2748W-57	Seal
20	A PT2748W-58	U-Cup
21	A PT2748W-70	O-Ring
22	PT2748W-59	Spring Pin
23	A PT2748W-63	O-Ring
24	A PT2748W-64	Seal
25	PT2748W-66	Pump Cap
26	PT2748W-65	Screw
27	A PT2748W-67	O-Ring
28	PT2748W-68	Ball
29	PT2748W-69	Ram
30	PT2748W-72	Pin
31	A PT2748W-71	U-Cup
32	PT2748W-60	Pump Body, New
	PT2748W-93	Complete Pump Assembly, New
33	PT2748W-03	Thrust Bearing
34	PT2748W-05	Traverse Plate
35	PT2748W-06	Snap Ring
36	PT2748W-04	Spring Pin
37	PT2748W-02	Roll Pin
38	B PT2748W-85	Screw
39	B PT2748W-86	Washer
40	B PT2748W-87	Fixed Screw
41	B PT2748W-88	Spring Guide

Item	Part No.	Description
42	B PT2748W-89	Overload Spring
43	B PT2748W-90	Spring Guide Bolt
44	B PT2748W-91	Steel Ball
45	PT2748W-61	Washer
46	PT2748W-62	Screw Plug
47	PT2748W-76	Lowering Lever
48	PT2748W-77	Threaded Pin
49	PT2748W-78	Hex Nut
50	PT2748W-79	Roll Pin
51	A PT2748W-73	O-Ring
52	A PT2748W-74	O-Ring
53	A PT2748W-75	O-Ring
54	PT2748W-80	Valve Cartridge (Includes O-Ring)
55	PT2748W-80A	Valve Cartridge (Includes O-Ring)
56	PT2748W-82	Washer
57	PT2748W-83	Bolt
58	A PT2748W-81	O-Ring
59	PT2748W-09	Washer
60	PT2748W-08	C-Clip
61	PT2748W-07	Steer Wheel Axle
62	PT2748W-10-HD	Steer Wheel Assembly, Red Poly On Aluminum Hub W/ Bearings
	PT2748W-10-ST	Steer Wheel Assembly, Black Ultra-Poly On Nylon Hub W/ Bearings
	GWK-JETW-CK	Complete Wheel Kit, (2) Ultra-Poly Load Roller Assemblies, (2) Poly Steer Wheel Assemblies, W/ Bearings, Axles & Fasteners
63	PT2748W-29-BS	Steer Wheel Bearing
64	PT2748W-11	Snap Ring
65	PT2748W-12	Steer Wheel Hub Cap (OEM Wheel Only)
	BU 47mm HC	Steer Wheel Hub Cap
66	PT2748W-099	Dust Boot
67	PT2748W-097	Bearing Washer
68	PT2748W-53A	Pump Piston
69	PT2748W-RS	Rubber Stop
70	PT2748W-56-A	Piston Assembly (Includes Items 18 and 68)
KITS	A PT2748W-94	O-Ring and Seal Kit
KITS	B PT2748W-84	Overload Valve Kit
	HU JT PT2748W	Rebuilt Hydraulic Unit - Exchange

Jet PTX & JTX Frame

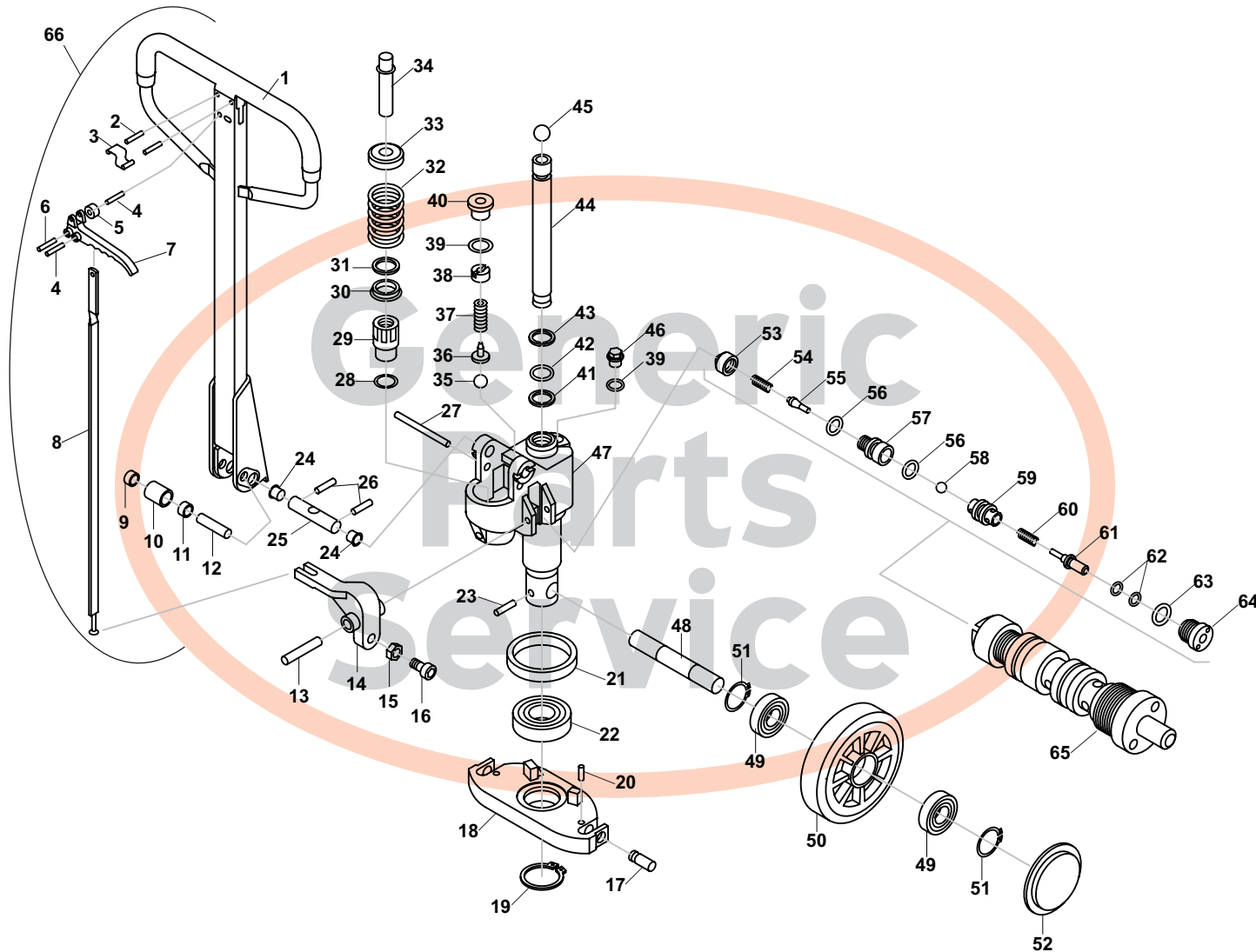


Jet PTX & JTX Frame

Item	Part No.	Description
1	TS-1503041	Socket Head Cap Screw
2	PTX2748-083	Bushing
3	PTX2036-084	Lifting Link, 20" Wide Jack
	PTX2748-084	Lifting Link, 27" Wide Jack
	JTX2748-084	Lifting Link, 27" Wide Jack
4	PTX2748-085	Oil Lite Bushing
5	PTX2748-086	Oil Lite Bushing
	JTX2748-086	Oil Lite Bushing (JTX)
6	PTX2748-086A	Crank Pin 70A
	JTX2748-086A	Crank Pin (JTX)
7	PTX2748-086B	Roll Pin 70B
	JTX2748-086B	Snap Ring (JTX)
8	PTX2036-087	Push Rod, 36" Fork (PTX)
	PTX2748-087	Push Rod, 48" Fork (PTX)
	JTX2748-087	Push Rod, 48" Fork (JTX)
9	PTX2036-088	Lifting Link Shaft, 20" Wide Jack
	PTX2748-088	Lifting Link Shaft, 27" Wide Jack
	JTX2748-088	Lifting Link Shaft, 27" Wide Jack
10	TS-0367061	Roll Pin (PTX)
	JTX2748-089A	Snap Ring (JTX)
11	PT2748J-083	Load Wheel Bracket
	JTX2748-090	Load Wheel Bracket (JTX)

Item	Part No.	Description
12	PT2748J-078A	Pivot Axle
	JTX2748-092	Pivot Axle (JTX)
13	PT2748J-080BN	Load Wheel Assembly, Nylon W/ Bearings (PTX)
	JTX2748-094	Load Roller Assembly, Black Ultra-Poly on Steel Hub W/ Bearings (JTX)
	JTX2748-094BN	Load Roller Assembly, Nylon W/ Bearings (JTX)
14	BB-6004	Bearing
	JTX2748-095	Bearing (JTX)
15	JTX2748-097	Washer (JTX only)
16	PT2748J-082	Load Wheel Axle
	JTX2748-097	Load Wheel Axle (JTX)
17	PT2748J-081A	Snap Ring
18	PT2748J-086A	Push Rod Axle
	JTX2748-098	Push Rod Axle (JTX)
19	TS-1490101	Hex Cap Bolt
20	PTX2748-100	Entry Roller
21	PT2748A-015	Nut
22	PT2748J-081	Spring Pin
23	PTX2036-102	Fork (for PTX-2036)
	PTX2048-102	Fork (for PTX-2048)
	PTX2748-102	Fork (for PTX-2748)

Jet PTX & JTX Hydraulic Unit

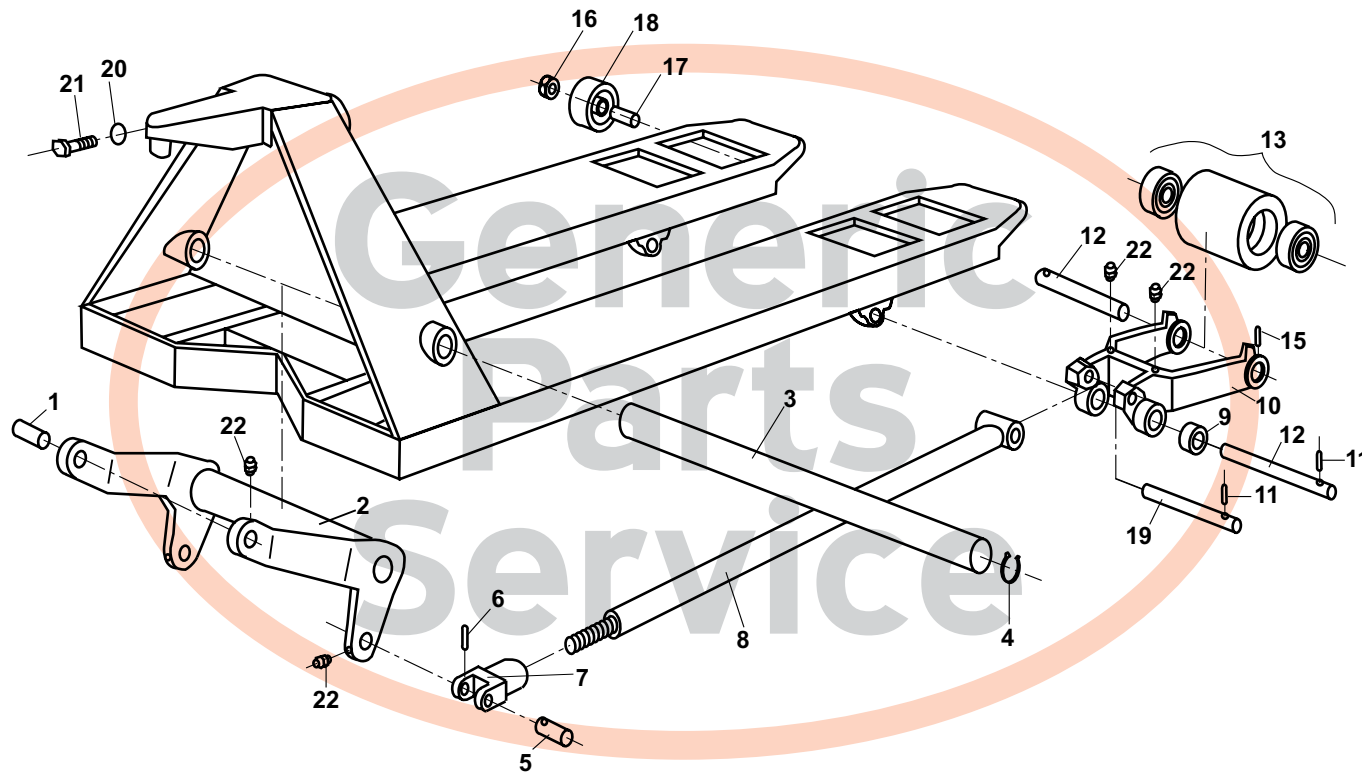


Jet PTX & JTX Hydraulic Unit

Item	Part No.	Description
1	PTX2748-001	Handle
2	PTX2748-002	Roll Pin
3	PTX2748-003	Block Spring
4	PTX2748-004	Roll Pin
5	PTX2748-005	Roller
6	PT3348J-077	Roll Pin
7	PTX2748-008	Control Lever
8	PTX2748-009	Release Rod
	JTX2748-009	Release Rod (JTX)
9	PTX2748-010	Oil Lite Bushing
10	PTX2748-011	Roller
11	PTX2748-012	Oil Lite Bushing
12	PTX2748-013	Roller Pin
13	PTX2748-014	Roll Pin
14	PTX2748-015	Release Lever
15	TS-2311061	Hex Nut
16	TS-1503051	Socket Head Cap Screw
17	PTX2748-018	Shoulder Pin
	JTX2748-018A	Shoulder Pin (JTX)
18	PTX2748-019A	Traverse
	JTX2748-019A	Traverse (JTX)
19	PTX2748-020A	Snap Ring
20	PT2748J-081	Roll Pin
21	PTX2748-022A	Washer
22	PTX2748-023	Ball Bearing
23	PT2748A-044	Roll Pin
24	PTX2748-027A	Oil Lite Bushing
25	PTX2748-028	Handle Pin
26	PTX2748-029	Roll Pin
27	PTX2748-030	Pump Retainer Pin
28	PTX2748-031A	Washer
29	PTX2748-032A	Plunger Housing
30	A, B PTX2748-033A	U-Cup
31	A, B PTX2748-034A	Wiper
32	PTX2748-035	Spring
33	PTX2748-036	Spring Cap
34	PTX2748-037A	Plunger Piston
35	SB-6MM	Steel Ball
36	PT2748A-030	Spring Base
37	PT2748A-030A	Spring
38	PTX2748-041	Release Screw
39	A, B PTX2748-042	O-Ring
40	PTX2748-043	Pressure Adjust Screw
41	A PTX2748-045A	U-Cup
	B JTX2748-045A	U-Cup (JTX)

Item	Part No.	Description
42	A PTX2748-046	O-Ring
	B JTX2748-046A	O-Ring (JTX)
43	A PTX2748-047	Wiper
	B JTX2748-047	Wiper (JTX)
44	PTX2748-048A	Ram Piston
	JTX2748-048A	Ram Piston (JTX)
45	SB-19	Steel Ball
46	PTX2748-050	Oil Plug
47	PTX2748-051A	Pump Housing
	JTX2748-051A	Pump Housing (JTX)
	PTX2748-103	Pump Assembly
	JTX2748-103	Pump Assembly (JTX)
48	PTX2748-052A	Steer Wheel Axle
	JTX2748-052A	Steer Wheel Axle (JTX)
49	BB-6204	Bearing
50	PTX2748-054-ST	Steer Wheel Assembly, Poly on Nylon Hub W/Bearings
	PTX2748-054-HD	Steer Wheel Assembly, Poly on Aluminum Hub W/Bearings
	JTX2748-054-ST	Steer Wheel Assembly, Poly on Nylon Hub W/Bearings
	JTX2748-054-HD	Steer Wheel Assembly, Poly on Aluminum Hub W/Bearings
51	PT2748J-081A	Snap Ring
52	PTX2748-056	Hub Cap
53	PTX2748-057	Valve Cap
54	PTX2748-066	Needle Valve Spring
55	PTX2748-067	Needle Valve
56	PTX2748-071	O-Ring
57	PTX2748-068	Needle Valve Base
58	SB-7MM	Steel Ball
59	PTX2748-073	Mid-Valve Base
60	PTX2748-076	Release Valve Spring
61	PTX2748-077A	Release Valve
62	PTX2748-078A	O-Ring
63	PTX2748-079	O-Ring
64	PTX2748-080	Release Valve Housing
65	PTX2748-081	Valve Assembly (Includes Items 53-64)
66	JTX2748-105	Handle Assembly (Includes Items 1-12, 24)
	PTX2748-106	Pump/Handle/Traverse/Wheel Assembly
	JTX2748-106	Pump/Handle/Traverse/Wheel Assembly (JTX)
Kit A	PTX2748-104	Seal Kit
Kit B	JTX2748-104	Seal Kit (JTX)

Jet PTW Series Frame



Jet PTW Series Frame

Item	Part No.	Description
1	PT2036-3-11	Pin
2	PT2036-3-17	Lift Arm, 20.5" Frame
	BF2736-3-17	Lift Arm, 27" Frame
3	PT2036-3-18	Long Shaft 20.5" Frames
	BF2736-3-18	Long Shaft 27" Frames
4	PT2036-3-19	Snap Ring
5	PT2036-3-21	Pin
6	PT2036-3-22	Roll Pin
7	PT2036-3-23	Joint
8	PT2036-3-24	Push Rod 36" Forks
	PT2042-3-24	Push Rod 42" Forks
	PT2048-3-24	Push Rod 48" Forks
9	PT2036-3-25	Bushing
10	PT2036-3-26	Load Wheel Bracket
11	PT2036-3-27	Roll Pin
12	PT2036-3-28	Pivot Axle

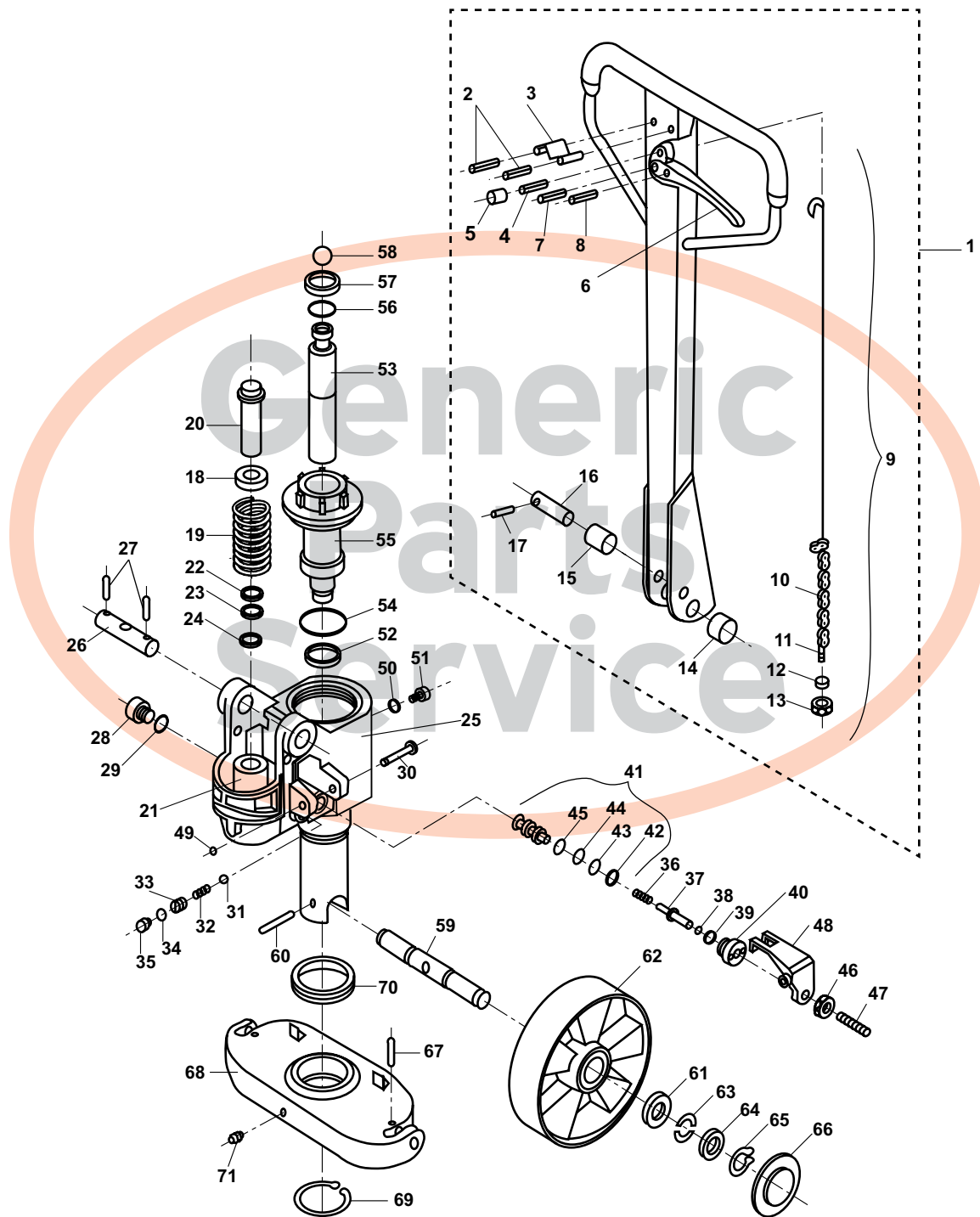
Item	Part No.	Description
13	PT2036-3-29-A	Load Roller Assembly, Black Ultra-Poly on Steel Hub W/Bearings
	PT2036-3-29-D	Load Roller Assembly, Red Ultra-Poly on Aluminum Hub W/Bearings
	PT2036-3-29-N	Load Roller Assembly, Solid Nylon W/Bearings
	PT2036-3-29-S	Load Roller Assembly, Solid Steel W/Bearings
	GWK-JETPTW-LW	Load Wheel Kit, (2) Black Ultra-Poly (70D), Load Roller Assemblies, W/ Bearings, Axles & Fasteners
14	PT2036-3-30	Load Wheel Axle
15	PT2036-3-31	Roll Pin
16	PT2036-3-32	Snap Ring
17	PT2036-3-33	Entry Roller Shaft
18	PT2036-3-34	Entry Roller
19	PT2036-3-35	Shaft
20	PT2036-3-37	Lock Washer
21	PT2036-3-38	Set Screw
22	PT2036-3-16	Grease Fitting

Load Wheel Kit

GWK-JETPTW-LW



Jet PTW Series Hydraulic Unit



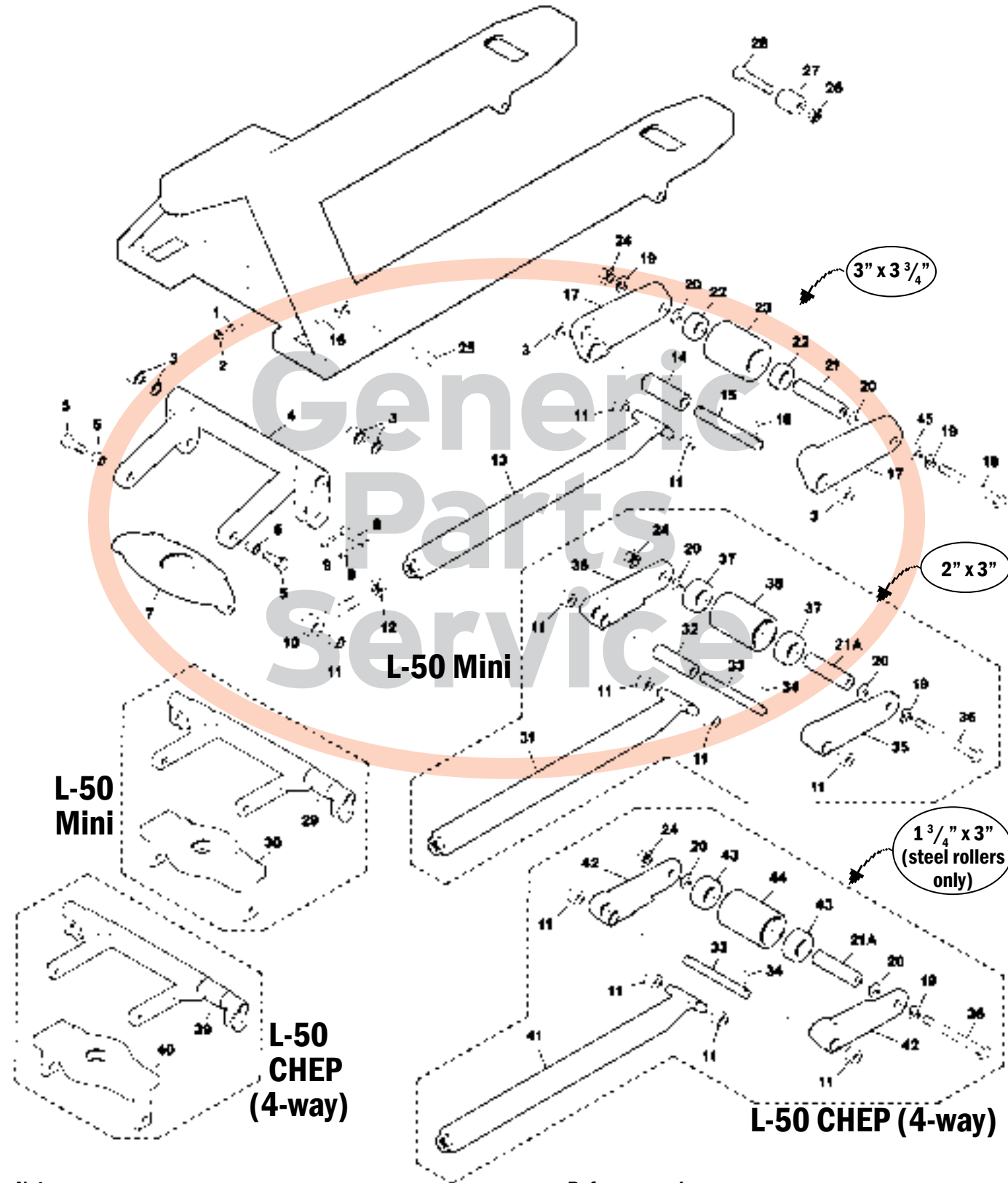
Jet PTW Series Hydraulic Unit

Item	Part No.	Description
1	PT2036-3-1	Handle Assembly
2	PT2036-1-2	Roll Pin
3	PT2036-1-3	Blade Spring
4	PT2036-1-4	Roll Pin
5	PT2036-1-5	Rubber Stop
6	PT2036-1-6	Lowering Lever
7	PT2036-1-7	Roll Pin
8	PT2036-1-8	Roll Pin
9	PT2036-1-9	Control Rod Assembly
10	PT2036-1-10	Chain
11	PT2036-1-11	Chain Anchor
12	TS-1540031	Jam Nut
13	TS-1541011	Lock Nut
14	PT2036-1-14	Bushing
15	PT2036-1-15	Pressure Roller
16	PT2036-1-16	Roller Shaft
17	PT2036-1-17	Roll Pin
18	PT2036-2-1	Spring Cap
19	PT2036-2-2	Handle Return Spring
20	PT2036-2-3	Pump Piston
21	PT2036-2-4	Pump Cylinder
22	A PT2036-2-5	Wiper Seal
23	A PT2036-2-6	U-Cup
24	PT2036-2-7	Copper Washer
25	PT2036-3-2	Pump Assembly
26	PT2036-2-9	Handle Pivot Pin
27	PT2036-2-10	Roll Pin
28	PT2036-2-11	Valve Plug
29	A PT2036-2-12	Seal Washer
30	PT2036-2-13	Lever Pin
31	B PT2036-2-14	Chrome Ball
32	B PT2036-2-15	Overload Spring
33	B PT2036-2-16	Adjustment Screw
34	A,B PT2036-2-17	Seal Washer
35	B PT2036-2-18	Valve Plug
36	PT2036-2-19	Release Pin Spring
37	PT2036-2-20	Release Pin
38	A PT2036-2-21	O-ring
39	A PT2036-2-22	O-ring
40	PT2036-2-23	Valve Sleeve
41	PT2036-2-24	Valve Assembly
42	A PT2036-2-25	Backup Ring, 17MM

Item	Part No.	Description
43	A PT2036-2-26	O-ring
44	A PT2036-2-27	Backup Ring, 14MM
45	A PT2036-2-28	O-ring
46	PT2036-2-29	Jam Nut
47	PT2036-2-30	Adjustment Screw
48	PT2036-2-31	Release Lever
49	PT2036-2-32	Retaining Ring
50	A PT2036-2-33	O-ring
51	PT2036-2-34	Screw Plug
52	A PT2036-2-35	U-Cup
53	PT2036-2-36	Lift Ram
54	A PT2036-2-37	O-ring
55	PT2036-2-38	Cylinder Cap
56	A PT2036-2-39	O-ring
57	A PT2036-2-40	Wiper Seal
58	PT2036-2-41	Chrome Ball
59	PT2036-3-3	Wheel Axle
60	PT2036-3-4	Roll Pin
61	BB-6204 ZZ	Bearing
62	PT2036-3-6-HD	Steer Wheel Assembly, Red Ultra Poly on Aluminum Hub W/Bearings
	PT2036-3-6-ST	Steer Wheel Assembly, Black Ultra Poly on Nylon Hub W/Bearings
	PT2036-3-6-N	Steer Wheel Assembly, Solid Nylon W/Bearings
	PT2036-3-6-S	Steer Wheel Assembly, Solid Steel W/Bearings
	GWK-JETPTW-CK	Complete Wheel Kit (2) Ultra Poly Load Roller Assemblies (70D), (2) Poly Steer Wheel Assemblies
63	PT2036-3-7	Half-Cirque Washer
64	PT2036-3-8	Retaining Washer
65	PT2036-3-9	Snap Ring
66	PT2036-3-10	Hub Cap
67	PT2036-3-12	Roll Pin
68	PT2036-3-13	Pressure Plate
69	PT2036-3-14	Snap Ring
70	PT2036-3-15	Thrust Bearing
71	PT2036-3-16	Grease Fitting
Kit A	PT2036-SK	Seal Kit
Kit B	PT2036-RV	Relief Valve Kit

Lift-Rite (Big Joe) L-50 Frame

Including Low-Profile Jacks L-50 Mini and L-50 CHEP (4-way)



Note:
Parts between pallet jack models
are not interchangeable.

Before you order:
To ensure that you get the correct parts, please verify the version of your L-50 pallet jack. The label on your jack will not identify the type, you must measure the load roller diameter.

Lift-Rite (Big Joe) L-50 Frame

Including Low-Profile Jacks L-50 Mini and L-50 CHEP (4-way)

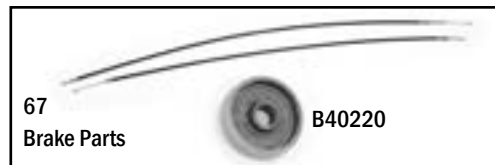
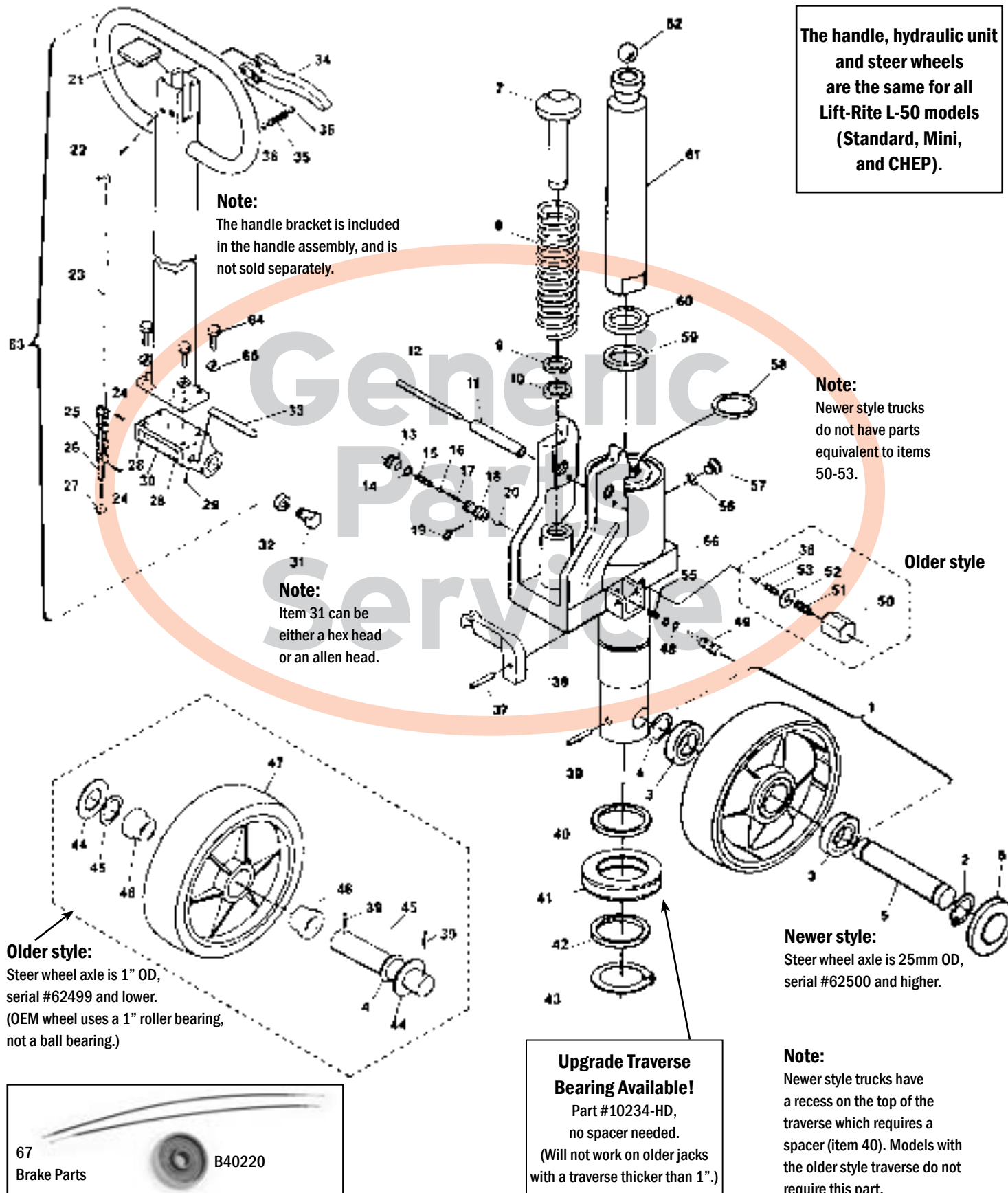
Item	Part No.	Description
1	10232	Bolt
2	10232-A	Lock Washer
3	10203	Bushing
4	10201	Lifting Link, 20-1/2" Wide Jack
	10202	Lifting Link, 27" Wide Jack
5	10275	Shoulder Bolt (Hex Head)
6	10203	Bushing
7	10231	Traverse
8	10227	Pin
9	10228	Roll Pin
10	10226	Eye Bolt (Fine Thread with Bushings)
	10226-C	Eye Bolt (Coarse Thread with Bushings)
11	10206	Bushing
12	10224-A	Nut (Fine Thread)
	10224-A-C	Nut (Coarse Thread)
13	10224-36	Push Rod, 36" Forks (Fine Thread)
	10224-42	Push Rod, 42" Forks (Fine Thread)
	10224-48	Push Rod, 48" Forks (Fine Thread)
14	10220	Exit Roller
15	10219	Pivot Axle
16	10209	Roll Pin
17	10212-LR	Load Roller Brackets (Pair)
18	10215	Load Roller Axle Assembly (Includes Items 18-21, 24)
19	10217	Lock Washer
20	10216	Washer
21	LF 10214-C	Sleeve
21a	LF 10500	Sleeve
22	10214	Bearing
23	10210-P-A-D	Load Roller Assembly, Red Ultra-Poly On Aluminum Hub W/ Bearings
	10210-P-A	Load Roller Assembly, Black Ultra-Poly On Steel Hub W/ Bearings
	10210-N-A	Load Roller Assembly, Nylon W/ Bearings
	10210-S-A	Load Roller Assembly, Steel W/ Bearings
	GWK-L50-LW	Load Wheel Kit, (2) Black Ultra-Poly Load Roller Assemblies (70D), W/ Bearings, Axles & Fasteners
24	10218	Nut
25	10204	Lifting Link Pin
26	10223	Nut (Older Style)
27	10221	Entry Roller, 1-7/16" Diameter (Older Style, Standard and Mini Only)
	10281	Entry Roller, 1-15/16" Diameter (Newer Style, Standard and Mini Only)

Item	Part No.	Description
28	10222	Bolt (Older Style)
	10285	Nut, Bolt and Sleeve Assembly (Newer Style)
29	10202-M	Lifting Link, 27" Wide Jack (L-50 Mini)
30	10231-M	Traverse (L-50 Mini)
31	10224-36-M	Push Rod, 36" Forks (Fine Thread)
	10224-42-M	Push Rod, 42" Forks (Fine Thread)
	10224-48-M	Push Rod, 48" Forks (Fine Thread)
32	10220-M	Exit Roller
33	10219-M	Pivot Axle
34	10269	Roll Pin
35	10212-M	Load Roller Brackets (Pair)
36	10215-M	Load Roller Axle Assembly
37	10214-M-P	Bearing (Use with Poly Load Roller)
	10214-M-S	Bearing (Use with Steel Load Roller)
38	10210-M-P-A	Load Roller Assembly, Poly On Steel Hub W/ Bearings
	10210-M-S-A	Load Roller Assembly, Steel W/ Bearings
39	PF-10203	Lifting Link, 33" Wide Jack
40	10231-4-M	Traverse, 33" Wide Jack
41	C-10224-48	Push Rod, 48" Forks (Fine Thread)
42	C-10212-LR	Load Roller Brackets (Pair; with Bushings)
43	C-10214	Bearing
44	C-10210-A	Load Roller Assembly, Steel W/ Bearings
45	20212B	Bushing

Load Wheel Kit



Lift-Rite (Big Joe) L-50 Hydraulic Unit

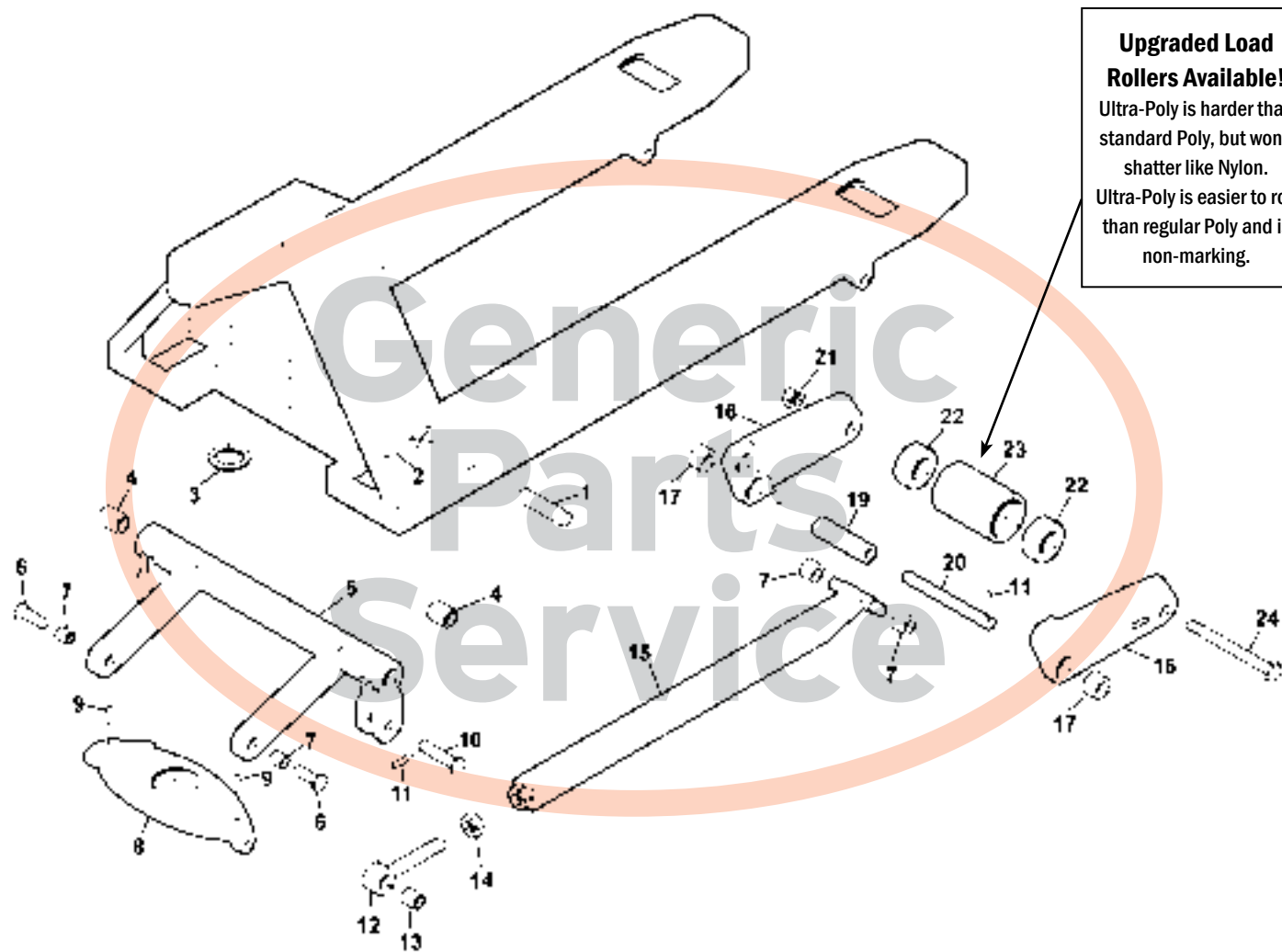


Lift-Rite (Big Joe) L-50 Hydraulic Unit

Item	Part No.	Description
1	10236-B-A-HD	Steer Wheel Assembly, Red Ultra-Poly On Aluminum Hub W/ Bearings, 25mm Bearing ID
	10236-B-A-ST	Steer Wheel Assembly, Black Ultra-Poly On Nylon Hub W/ Bearings, 25mm Bearing ID
	10236-B-N-A	Steer Wheel Assembly, Nylon W/ Bearings, 25mm Bearing ID
	10236-B-S-A	Steer Wheel Assembly, Steel W/ Bearings, 25mm Bearing ID
	GWK-L50-CK	Complete Wheel Kit, (2) Ultra-Poly Load Roller Assemblies (70D), (2) Poly Steer Wheel Assemblies, W/ Bearings, Axles & Fasteners
2	10237	Snap Ring
3	10238-B	Ball Bearing (OEM Wheel Only)
	10238-AM	Bearing (GPS Wheel Only)
4	10239	Washer
5	10240-E	Steer Wheel Axle, 25mm Diameter
6	10236-C	Hub Cap
7	10250	Pump Piston Assembly
8	10253	Spring
9	A B 10251	Scraper
10	A B 10252	U-Cup
11	10277-B	Sleeve
12	10277-A	Roll Pin
13	A C 10266	Screw Plug
14	A B 10265	O-Ring
15	A C 10264	Spring
16	A B C 10261	Ball
17	A C 10263	Roll Pin
18	A C 10262	Valve
19	A B 10256	O-Ring
20	A B C 10261	Ball (5/16" Diameter)
	A B C 10261-A	Ball (11/32" Diameter)
21	10274-E	Handle Cap
22	10274-D	Roll Pin
23	10274-A	Control Rod
24	10273	Pin
25	10272	Chain
26	10270	Lower Control Rod
27	10271	Adjusting Nut
28	10206	Bushing
29	10274-S	Roll Pin
30	10274-R	Roller
31	10275	Shoulder Bolt (Hex Head)
	10275-A	Shoulder Bolt (Allen Head)
32	10203	Bushing
	10203-A	Bushing

Item	Part No.	Description
33	10274-P	Pin
34	10274-B	Control Lever
35	10274-C	Spring
36	A B C 10254	Ball
37	10269	Roll Pin
38	10268	Release Lever
39	10242	Roll Pin
40	10233	Spacer
41	10234	Thrust Bearing (Items 40 and 42 required)
	10234-HD	Heavy Duty Thrust Bearing (Newer Style)
42	10234-A	Washer
43	10235	Snap Ring
44	10241	Washer
45	10240	Steer Wheel Axle, 1" Diameter
46	10238-A	Flanged Bearing
	10238-R	Roller Bearing (For OEM Wheel Only)
47	10236-R-A-HD	Steer Wheel Assembly, Red Ultra-Poly On Aluminum Hub W/ Bearings, 1" Bearing ID
	10236-R-A-ST	Steer Wheel Assembly, Black Poly On Nylon Hub W/ Bearings, 1" Bearing ID
	10236-R-N-A	Steer Wheel Assembly, Nylon W/ Bearings, 1" Bearing ID
48	A B 10259	O-Ring
49	A C 10260	Release Pin
50	10257	Nut
51	10257-B	Screw
52	A C 10257-A	Washer
53	A C 10255	Spring
55	A C 10258	Spring
56	A B 10259-A	Washer
57	10267	Filler Plug
58	A B 10246	U-Cup
59	A B 10249	U-Cup
60	A B 10245	Scraper
61	10243	Ram
62	10244	Ball
63	10276-A	Handle Assembly
64	10274-F	Bolt
65	10274-G	Lock Washer
66	HU LF L50	Rebuilt Hydraulic Unit - Exchange
67	B40217	Brake Cable Assembly
	B40220	Brake Wheel
KITS A	10278-SUPER	Super Seal Kit
KITS B	10278	Seal Kit
KITS C	10279	Seal Kit (Ball and Valve Kit)

Lift-Rite (Big Joe) L-55 Frame



Upgraded Load Rollers Available!
Ultra-Poly is harder than standard Poly, but won't shatter like Nylon. Ultra-Poly is easier to roll than regular Poly and is non-marking.

Lift-Rite (Big Joe) L-55 Frame

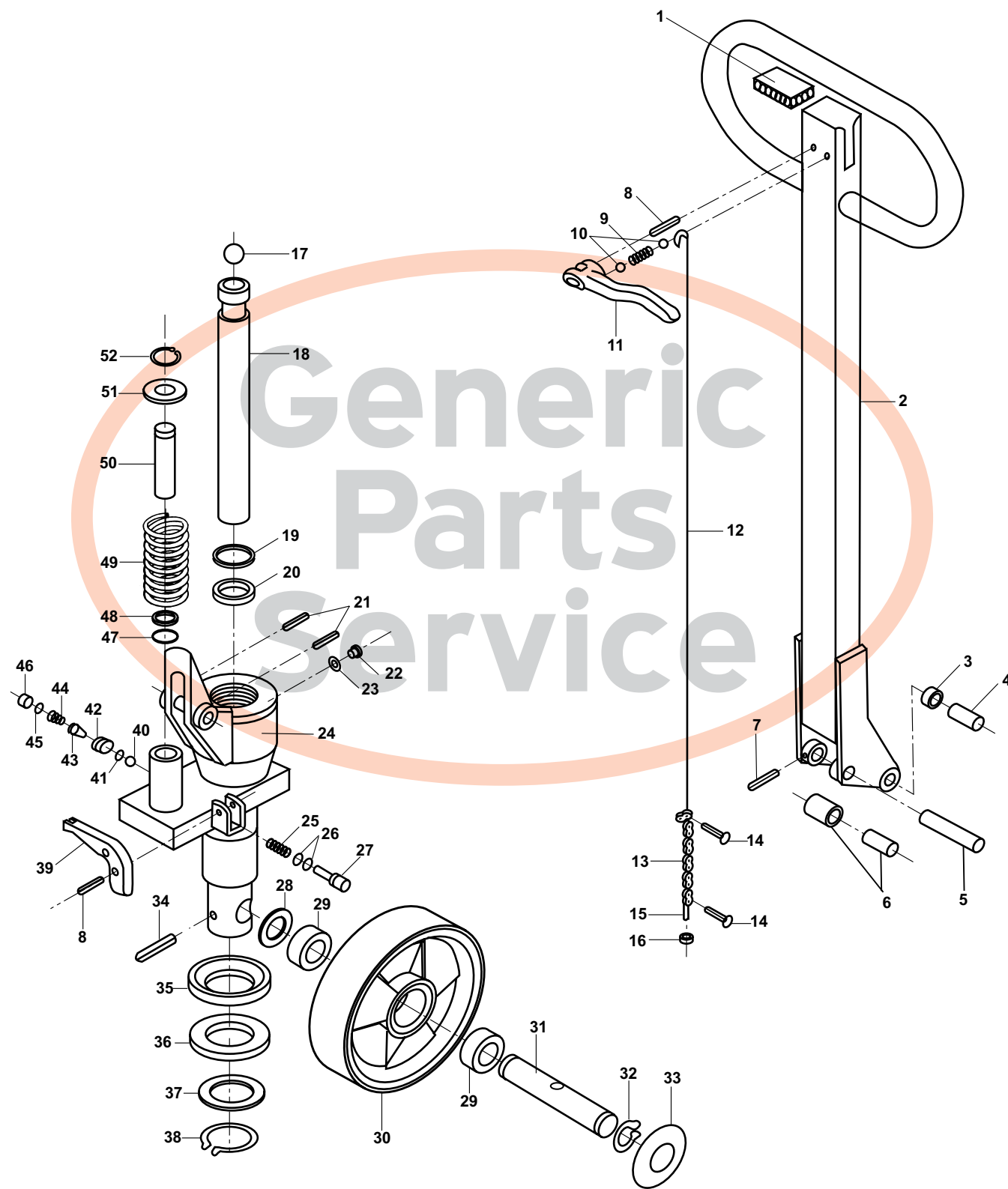
Item	Part No.	Description
1	20204	Pin
2	20269	Split Pin
3	20232	Snap Ring
4	20203A	Lifting Link Bushing
5	20201	Lifting Link, 20.5" Wide Jack
	20202	Lifting Link, 27" Wide Jack
6	20207	Shoulder Pin
7	20206	Bushing
8	20231	Traverse
9	10205	Roll Pin
10	20227	Eye Bolt Pin
11	10269	Roll Pin
12	20226	Eye Bolt (Includes Bushing)
13	20226A	Bushing
14	10224AF	Jam Nut
15	20224x36	Push Rod, 36" Forks
	20224x42	Push Rod, 42" Forks
	20224x48	Push Rod, 48" Forks

Item	Part No.	Description
16	20212	Load Roller Brackets (Pair; with Bushings)
17	20203	Bushing
19	20220	Exit Roller
20	20219	Pivot Axle
21	20218	Lock Nut
22	20214	Load Roller Bearing
23	20210D-A	Load Roller Assembly, Red Ultra-Poly On Aluminum Hub W/ Bearings
	20210P-A	Load Roller Assembly, Black Ultra-Poly On Steel Hub W/ Bearings
	20210N-A	Load Roller Assembly, Nylon W/ Bearings
	20210S-A	Load Roller Assembly, Steel W/ Bearings
	GWK-L55-LW	Load Wheel Kit, (2) Black Ultra-Poly Load Roller Assemblies (70D), W/Bearings, Axles & Fasteners
24	20215	Axle Assembly

Load Wheel Kit



Lift-Rite (Big Joe) L-55 Hydraulic Unit



Lift-Rite (Big Joe) L-55 Hydraulic Unit

Item	Part No.	Description
1	20274E	Handle Cap
2	20276	Handle Assembly (Includes Items 1-3, 5-16)
3	20306	Bushing
4	20275	Handle Bracket Pin
5	20274P	Pin
6	20274RA	Roller Complete with Bushing
7	20274RB	Split Pin
8	10269	Split Pin
9	20274C	Spring
10	10254	Ball
11	20274BD	Control Lever
12	20274A	Control Rod
13	20272	Chain
14	10273	Pin
15	10270	Lower Control Rod
16	10271	Adjusting Nut
17	10244	Ball
18	20243	Ram Piston
19	A C 20249	Top Seal
20	A C 10246	U-Cup
21	20274S	Split Pin
22	10267	Filler Plug
23	A C 10259-A	Washer
24	20277	Hydraulic Unit
25	B C 10258	Spring
26	A C 10259	O-Ring
27	B C 10260	Release Pin
28	10239	Washer
29	10238-D	Ball Bearing
30	20236-B-A-HD	Steer Wheel Assembly, Red Ultra-Poly On Aluminum Hub W/ Bearings
	20236-B-A-ST	Steer Wheel Assembly, Black Poly On Nylon Hub W/ Bearings
	20236N	Steer Wheel Assembly, Nylon W/ Bearings
	20236S	Steer Wheel Assembly, Steel W/ Bearings
	GWK-L55-CK	Complete Wheel Kit, (2) Ultra-Poly Load Roller Assemblies (70D), (2) Poly Steer Wheel Assemblies, W/ Bearings, Axles & Fasteners
31	10240-E	Steer Wheel Axle, 25mm OD

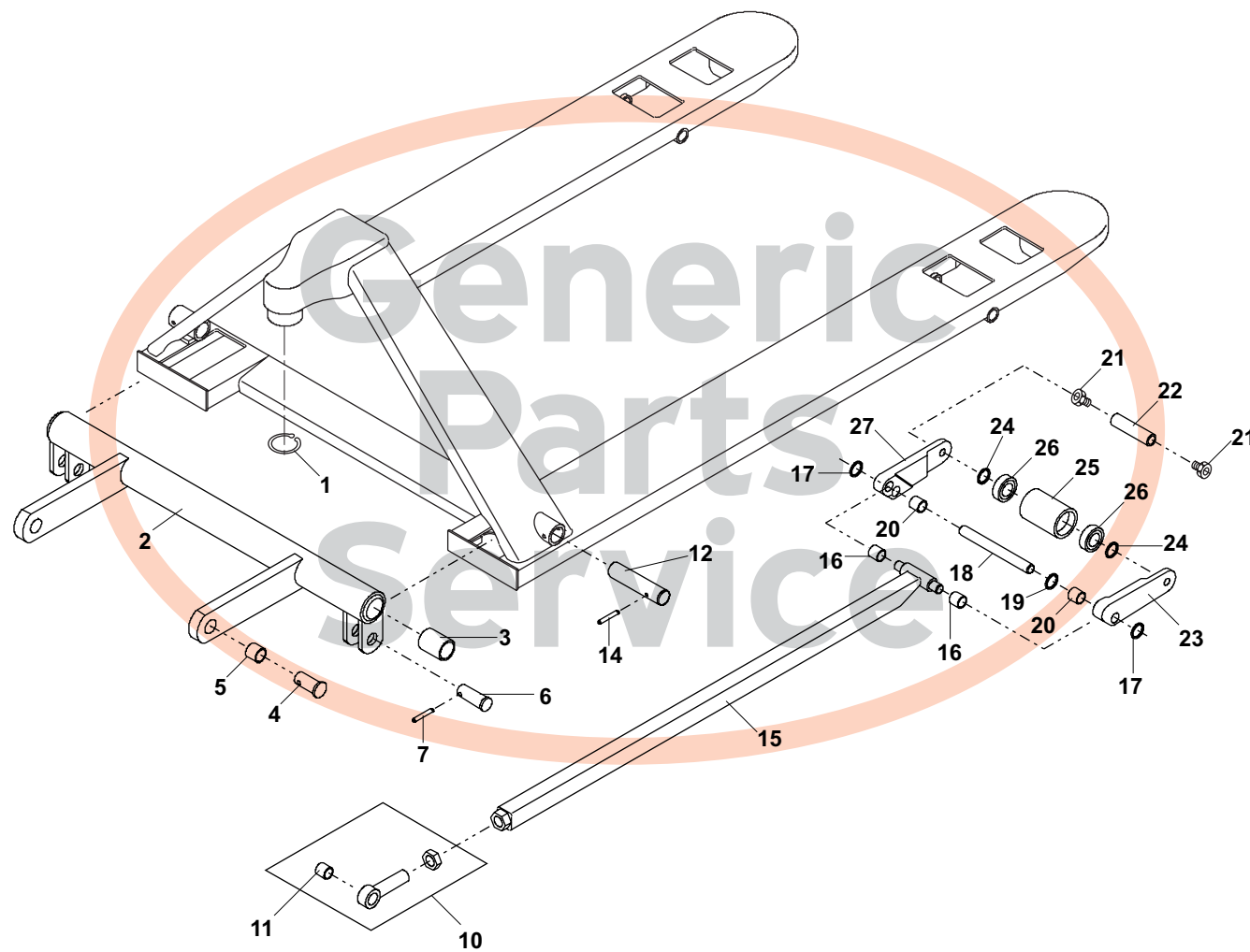
Item	Part No.	Description
32	10237	Snap Ring
33	10236-C	Hub Cap
34	10242	Roll Pin
35	10233	Spacer
36	10234	Thrust Bearing
37	10234-A	Washer
38	10235	Snap Ring
39	10268	Release Lever
40	A B C 10261-A	Ball
41	A B C 10256	O-Ring
42	B C 20262	Valve
43	A B C 20261	Cone
44	B C 10264	Spring
45	A C 10265	O-Ring
46	B C 10266	Screw Plug
47	A C 10252	U-Cup
48	A C 10251	Scraper
49	20253	Handle Return Spring
50	20250A	Pump Piston Assembly (Includes Items 50-52)
	10250A	Pump Piston
51	10250B	Spring Cap
52	10250C	Snap Ring
KITS A	20278	Seal Kit
KITS B	20279	Seal Kit (Ball and Valve Kit)
KITS C	20280	Complete Seal Kit
	HU LF L55	Rebuilt Hydraulic Unit - Exchange

Complete Wheel Kit

GWK-L55-CK



Lift-Rite CF & L30 Frame



See Lift-Rite L55 Hydraulic Unit

Lift-Rite CF & L30 Frame

Item	Part No.	Description
1	PL20232	Snap Ring
2	SF20202	Lifting Link
3	PL20203A	Bushing
4	PL30207	Shoulder Pin
5	PL20206	Bushing
6	PL20227	Eye Bolt
7	PL20269	Split Pin
9	PM20231C	Traverse
10	PL20226	Eye Bolt Assembly
11	PL20226A	Bushing
12	SF20204	Lifting Link Pin
14	SF20269	Roll Pin
15	SF20224X48U	Push Rod, 48" Forks
16	PL20206	Bushing
17	SF20216	Spacer Washer
18	SF20219	Fork Pin

Load Wheel Kit

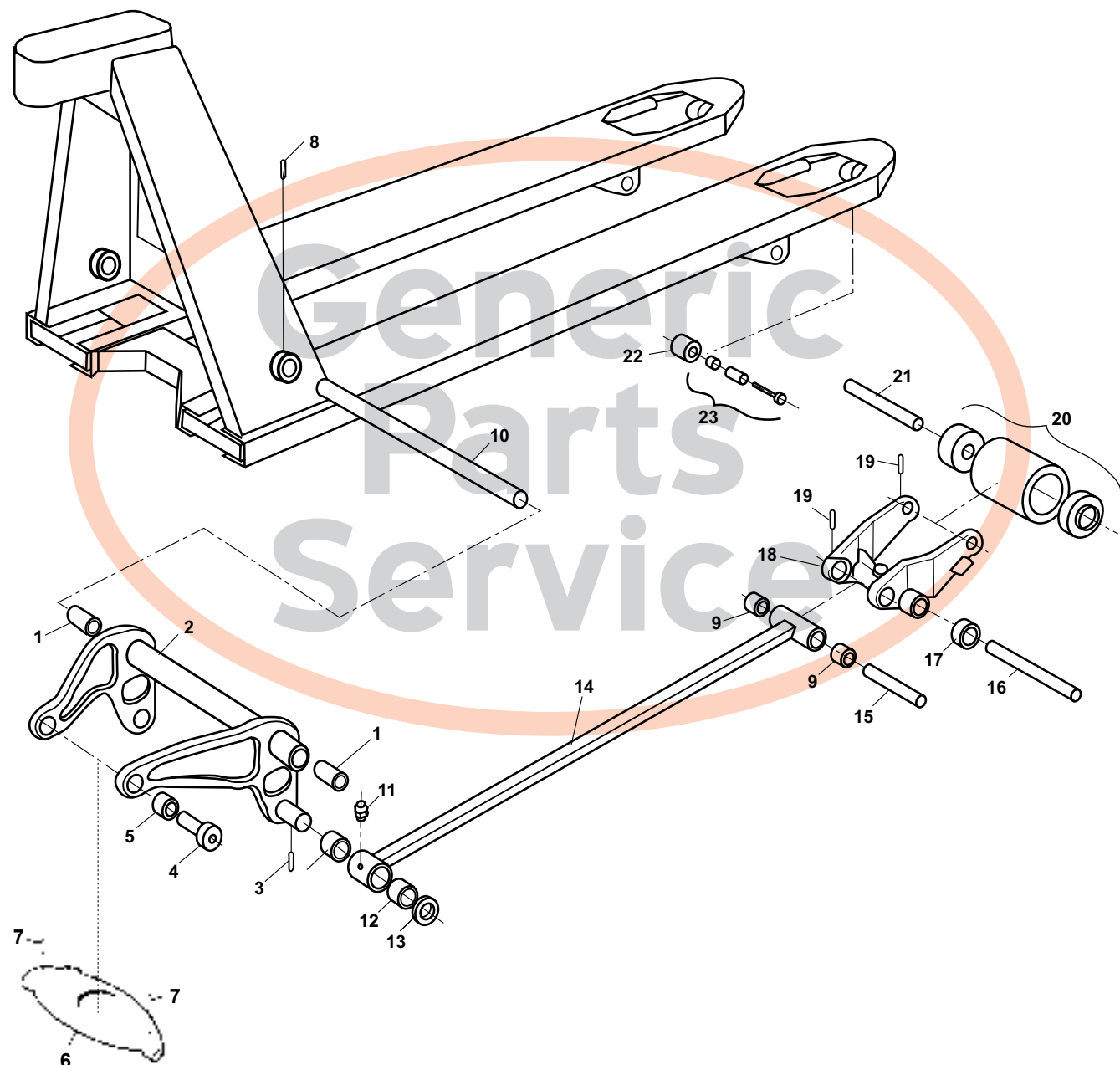


Item	Part No.	Description
19	SF20217	Retaining Ring
20	PL20226A	Bushing
21	MI-FEF1	Screw
22	SF30212-R	Lever Arm Right
23	SF20215	Load Roller Axle
24	PL10216	Spacer Washer
25	PM10210U-B	Load Roller Assembly, Steel W/ Bearings
	PM10210U-P	Load Roller Assembly, Black Ultra-Poly on Steel W/ Bearings
	GWK-CFP-LW	Load Wheel Kit, (2) Black Ultra-Poly Load Roller Assemblies (70D), W/ Bearings, Axles, Washers & Screws
	GWK-CF-LW	Load Wheel Kit, (2) Steel Load Wheel Assemblies, W/ Bearings, Axles, Washers and Screws
26	PM10214S	Bearing
27	SF30212-L	Lever Arm Left

Load Wheel Kit



Lift-Rite (Big Joe) LRP 5000 Frame



Lift-Rite (Big Joe) LRP 5000 Frame

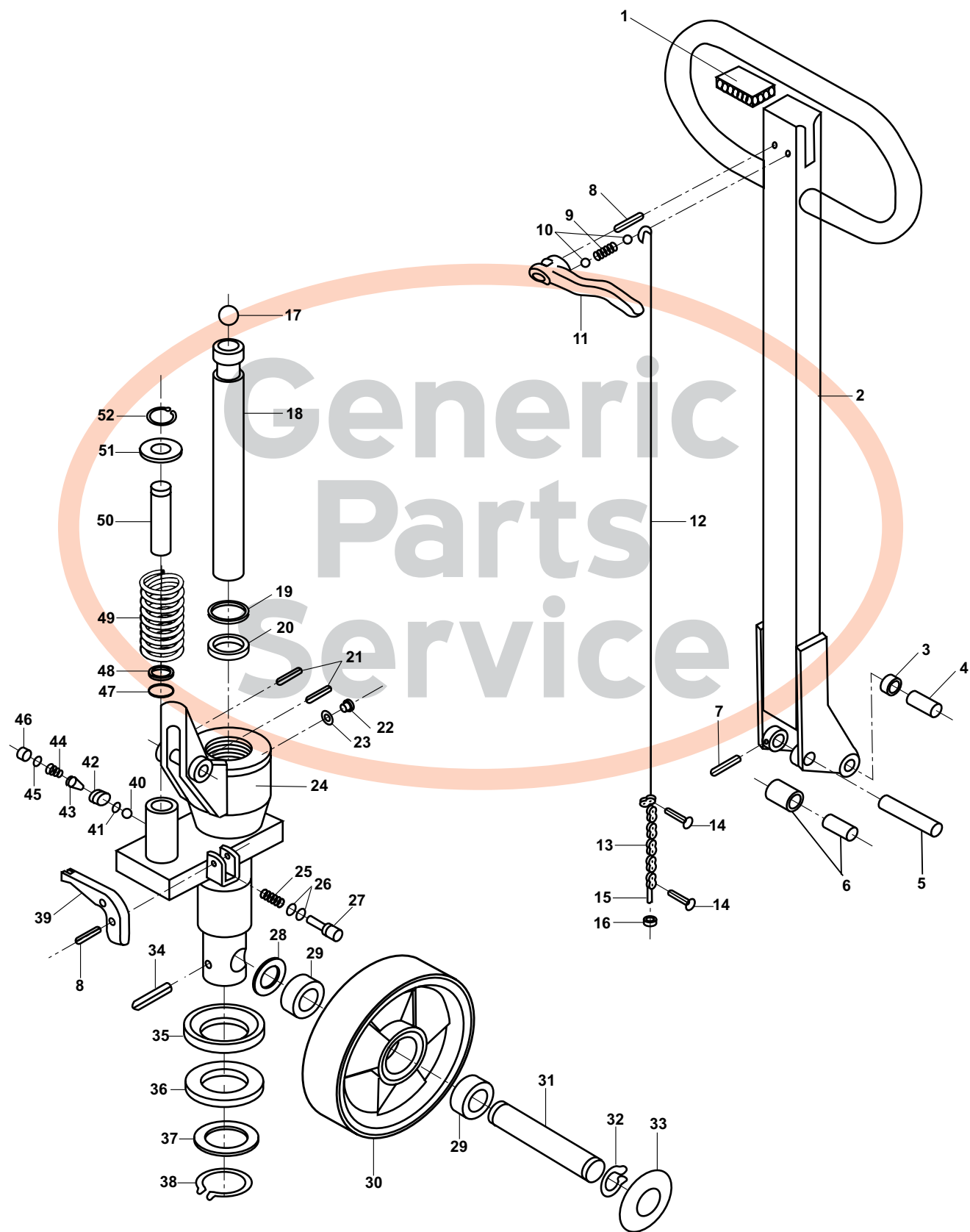
Item	Part No.	Description
1	PL90503A	Bushing
2	PL90802B	Lifting Link, 20.5" Wide Jack
	PL90802A	Lifting Link, 27" Wide Jack
3	PL90569D	Roll Pin
4	PL10207	Shoulder Pin
5	PL90806	Bushing
6	PL20231	Traverse
7	PL10205	Split Pin
8	PL90569E	Roll Pin
9	PL90525A	Bushing
10	PL90504A	Lifting Link Shaft, 27" Wide Jack
	PL90504B	Lifting Link Shaft, 20.5" Wide Jack
11	PL10236PRES	Lube Fitting
12	PL90526A	Bushing
13	PL90527A	Washer
14	PL90524x36	Push Rod, 36" Fork Length
	PL90524x42	Push Rod, 42" Fork Length
	PL90524x48	Push Rod, 48" Fork Length

Item	Part No.	Description
15	PL90525B	Axle
16	PL90519	Axle
17	PL90520	Steel Exit Roller
18	PL90512	Load Roller Bracket (Includes Bushings)
19	PL90569F	Roll Pin
20	PL20210P-B-D	Load Roller Assembly, Red Ultra-Poly On Aluminum Hub W/ Bearings
	PL20210P-B	Load Roller Assembly, Black Ultra-Poly On Steel Hub W/ Bearings
	PL20210N-B	Load Roller Assembly, Nylon W/ Bearings
	PL20210S-B	Load Roller Assembly, Steel W/ Bearings
	GWK-LRP-LW	Load Wheel Kit, (2) Black Ultra-Poly Load Roller Assemblies (70D), W/ Bearings, Axles & Fasteners
21	PL90515	Axle
22	PL10281	Entry Roller
23	PL10285	Axle Assembly W/ Sleeve and Nut

Load Wheel Kit



Lift-Rite (Big Joe) LRP 5000 Hydraulic Unit



Lift-Rite (Big Joe) LRP 5000 Hydraulic Unit

Item	Part No.	Description
1	PL20274E	Handle Cap
2	PL20276	Handle Assembly (Includes Items 1-3, 5-16)
3	PL20306	Bushing
4	PL20275	Handle Pin
5	PL20274P	Pin
6	PL20274RA	Roller Complete with Bushing
7	PL20274RB	Split Pin
8	PL10269	Split Pin
9	PL20274C	Spring
10	PL10254	Ball
11	PL20274BD	Control Lever
12	PL20274A	Control Rod
13	PL20272	Chain
14	PL10273	Pin
15	PL10270	Lower Control Rod
16	PL10271	Adjusting Nut
17	10254	Ball
18	20243	Ram Piston
19	A C 20249	Top Seal
20	A C 10246	U-Cup
21	20274S	Split Pin
22	10267	Filler Plug
23	A C 10259	O-Ring
24	20277	Hydraulic Unit, New
25	B C 10258	Spring
26	A C 10259	O-Ring
27	B C 10260	Release Pin
28	10239	Washer
29	10238-D	Ball Bearing
30	20236-B-A-HD	Steer Wheel Assembly, Red Ultra-Poly On Aluminum Hub W/ Bearings
	20236-B-A-ST	Steer Wheel Assembly, Black Poly On Nylon Hub W/ Bearings
	20236N	Steer Wheel Assembly, Nylon W/ Bearings
	20236S	Steer Wheel Assembly, Steel W/ Bearings
	GWK-LRP-CK	Complete Wheel Kit, (2) Ultra-Poly Load Roller Assemblies (70D), (2) Poly Steer Wheel Assemblies, W/ Bearings, Axles & Fasteners
31	10240-E	Steer Wheel Axle

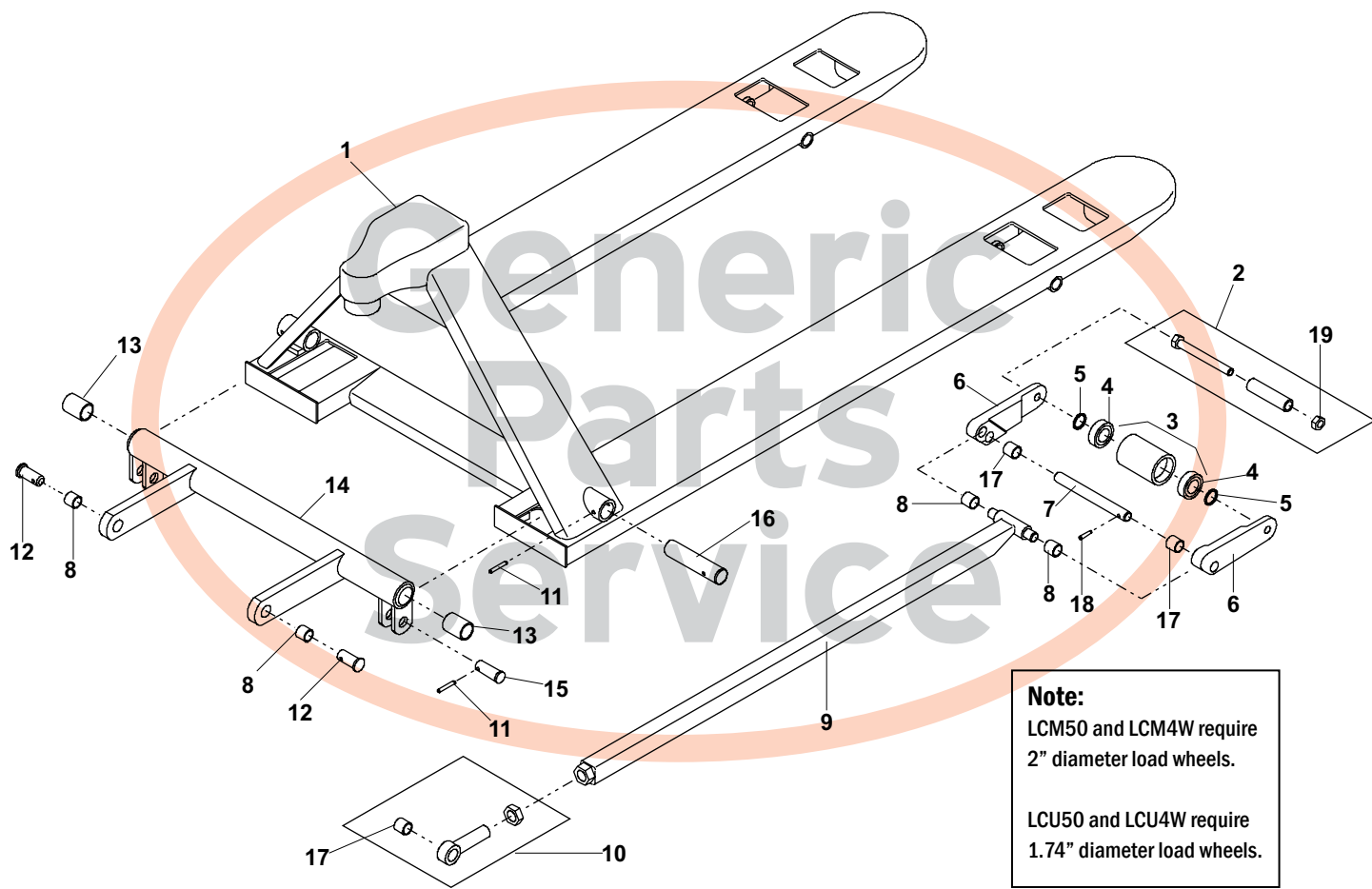
Item	Part No.	Description
32	10237	Snap Ring
33	10236-C	Hub Cap
34	10242	Roll Pin
35	10233	Spacer
36	10234	Thrust Bearing
37	10234-A	Washer
38	10235	Snap Ring
39	10268	Release Lever
40	A B C 10261-A	Ball
41	A B C 10256	O-Ring
42	B C 20262	Valve
43	A B C 20261	Cone
44	B C 10264	Spring
45	A C 10265	O-Ring
46	B C 10266	Screw Plug
47	A C 10252	U-Cup
48	A C 10251	Scraper
49	20253	Handle Return Spring
50	10250	Pump Piston Assembly
51	10250B	Spring Cap
52	10250C	Snap Ring
KITS A	20278	Seal Kit
KITS B	20279	Seal Kit (Ball and Valve Kit)
KITS C	20280	Seal Kit
	HU LF L55	Rebuilt Hydraulic Unit - Exchange

Complete Wheel Kit



Lift-Rite LCM50, LCU50, LCM4W & LCU4W Frame

Titan Series



Lift-Rite LCM50, LCU50, LCM4W & LCU4W Frame

Titan Series

Item	Part No.	Description
1	PM30200	Chassis, LCM50 2" Low Profile
	PM30200U	Chassis, LCU50 1.75" Ultra Low Profile
	PF30200	Chassis LCM4W 2" Low Profile
	PF30200U	Chassis LCU4W 1.75" Ultra Low Profile
2	PM10215	Axle Assembly
3	PM10210U-B	Load Wheel Assembly, Steel 1.75" Diameter W/ Bearings (LCU50, LCU4W)
	PM10210U-P	Load Wheel Assembly, Ultra-Poly on Steel Hub 1.75" Diameter W/ Bearings (LCU50, LCU4W)
	GWK-LCU-LW	Load Wheel Kit, (2) Steel Load Rollers (1.75" Diameter) Bearings W/ Axles and Fasteners
	GWK-LCUP-LW	Load Wheel Kit, (2) Black Ultra-Poly Load Rollers (1.75" Diameter, 70D) W/ Bearings, Axles and Fasteners
	PM10210S-B	Load Wheel Assembly, Steel 2" Diameter W/ Bearings (LCM50, LCM4W)
	PM10210P-B	Load Wheel Assembly, Ultra-Poly on Steel Hub 2" Diameter W/ Bearings (LCM50, LCM4W)
	GWK-LCM-LW	Load Wheel Kit, (2) Steel Load Rollers (2" Diameter) W/ Bearings, Axles and Fasteners
	GWK-LCMP-LW	Load Wheel Kit, (2) Black Ultra-Poly Load Rollers (2" Diameter, 70D) W/ Bearings, Axles and Fasteners
4	PM10214S	Bearing

Item	Part No.	Description
5	PL10216	Spacer Washer
6	PM30212	Load Roller Bracket Assembly (LCM50 & LCM4W)
	PM30212U	Load Roller Bracket Assembly (LCU50 & LCU4W)
7	PM10219	Pin
8	PL20206	Bushing
9	PM20224X-36	Push Rod, LCM50 & LCM4W, 36" Forks
	PM20224X-42	Push Rod, LCM50 & LCM4W, 42" Forks
	PM20224X-48	Push Rod, LCM50 & LCM4W, 48" Forks
	PM20224X-36U	Push Rod, LCU50 & LCU4W, 36" Forks
	PM20224X-42U	Push Rod, LCU50 & LCU4W, 42" Forks
	PM20224X-48U	Push Rod, LCU50 & LCU4W, 48" Forks
10	PL20226	Eye Bolt
11	PL20269	Split Pin
12	PL30207	Shoulder Pin
13	PL20203A	Bushing
14	PM30201	Lifting Link (LCM50 & LCU50, 20.5" Wide Jack)
	PM30202	Lifting Link (LCM50 & LCU50, 27" Wide Jack)
	PF30203	Lifting Link (LCM4W & LCU4W, 33" Wide Jack)
15	PL20227	Shoulder Pin
16	PL20204	Bulkhead Pin
17	PL20226A	Bushing
18	PM20269	Split Pin
19	PL10218	Lock Nut

Load Wheel Kit

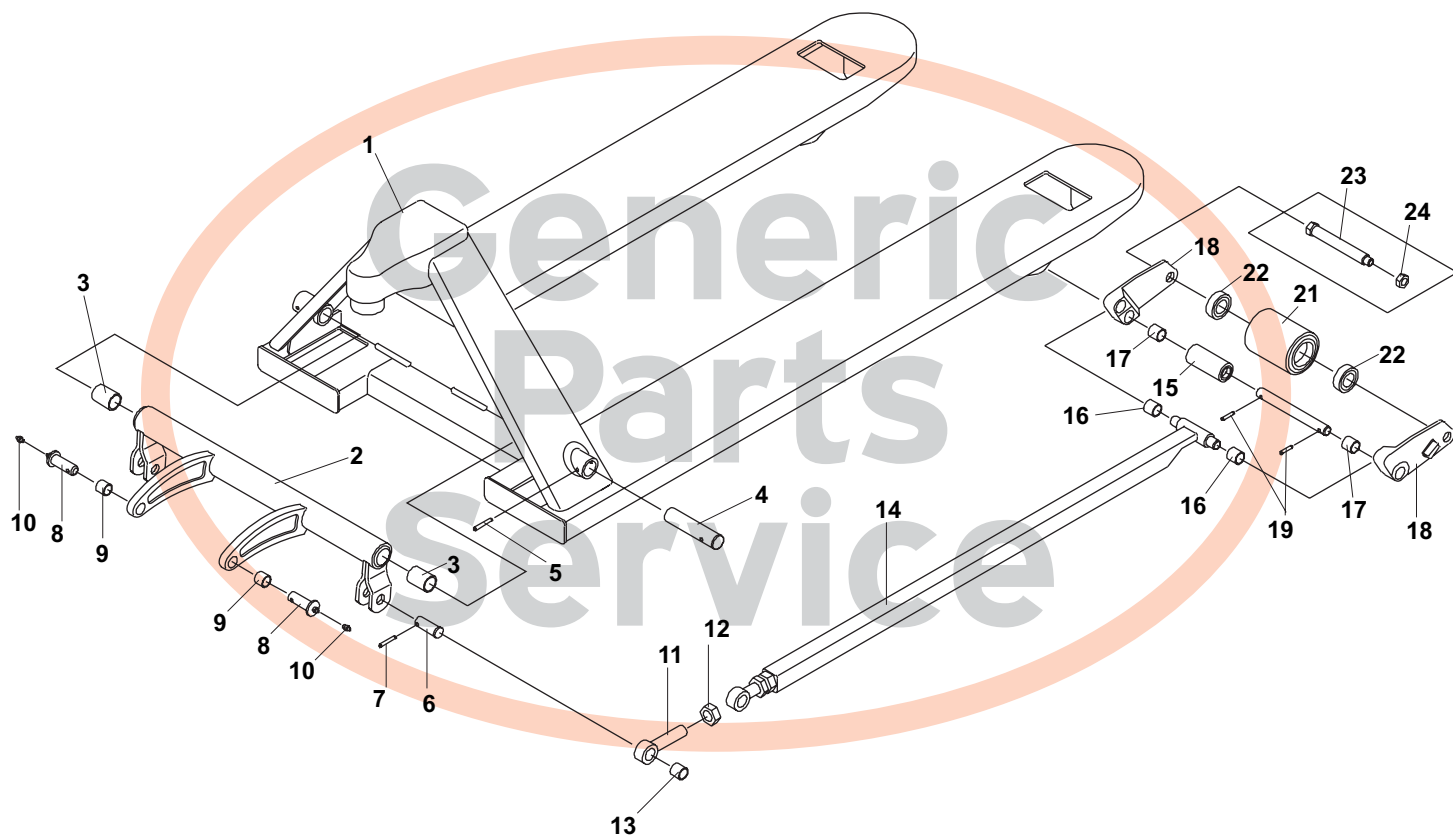


Load Wheel Kit



Lift-Rite LCR55 Frame

Titan Series



Lift-Rite LCR55 Frame

Titan Series

Item	Part No.	Description
1	PN30200	Chassis (Specify Length & Width)
2	PN30201	Lifting Link, 20.5" Wide Jack
	PN30202	Lifting Link, 27" Wide Jack
3	PN20203A	Bushing
4	PN20204	Bulkhead Pin
5	PN20269A	Spring Pin
6	PN20227	Eye Bolt Pin
7	PN20269B	Spring Pin
8	166701	Shoulder Pin
9	PL30206	Bushing
10	27662	Grease Fitting
11	PN20226	Eye Bolt
12	PN10224AF	Jam Nut
13	PN20226A	Bushing
14	PN20224X36	Push Rod, 36" Forks
	PN20224X42	Push Rod, 42" Forks
	PN20224X48	Push Rods 48" Forks

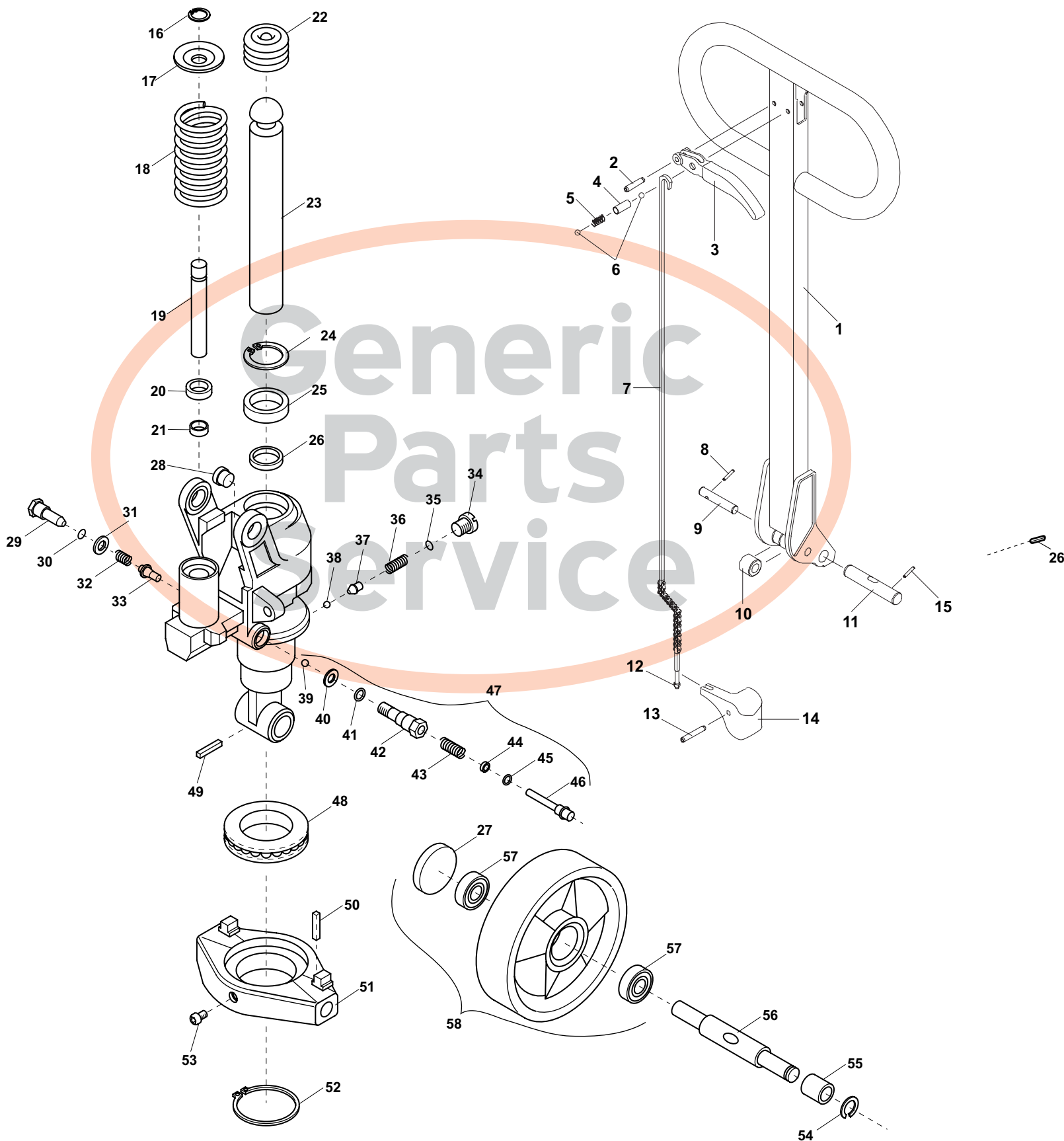
Item	Part No.	Description
15	PN20220	Exit Roller
16	PL20206	Bushing
17	PN20203	Bushing
18	PN20212	Load Wheel Bracket Assembly
19	PN20269	Spring Pin
20	PN20219	Pivot Axle
21	PL20210N-B	Load Roller Assembly, Nylon W/ Bearings
	PL20210P-B	Load Roller Assembly, Black Ultra-Poly on Steel Hub W/ Bearings
	PL20210S-B	Load Roller Assembly, Steel W/ Bearings
	GWK-LCR-LW	Load Wheel Kit, (2) Black Ultra-Poly (70D), Load Roller Assemblies, W/ Bearings, Axles & Fasteners
22	PL20214	Load Wheel Bearing
23	PL20215	Axle Assembly
24	PL10218	Lock Nut

Load Wheel Kit



Lift-Rite Titan Series Hydraulic Unit

(PL-30277)



Lift-Rite Titan Series Hydraulic Unit

(PL-30277)

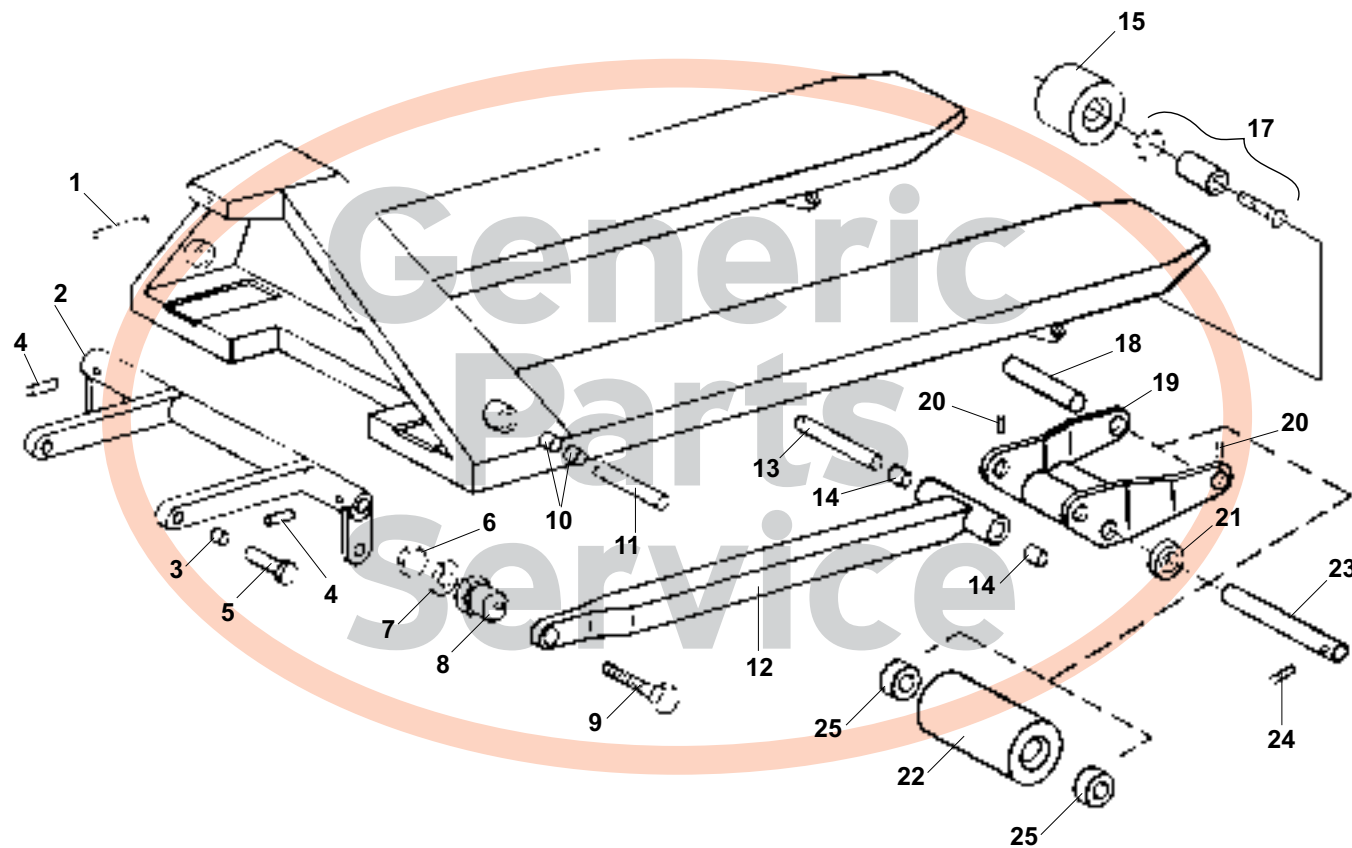
Item	Part No.	Description
1	PL30276M	Handle Assembly
2	20105	Split Pin
3	PL40274BDM	Control Lever
4	54140	Sleeve
5	218182	Spring
6	20065	Chrome Ball
7	215775	Control Rod Assembly
8	20461	Split Pin
9	47930	Axle
10	202755	Roller W/ Bushing
11	222750	Axle
12	21094	Adjusting Nut
13	A 220312	Locking Pin
14	215128	Lowering Arm
15	20014	Locking Pin
16	20043	Locking Ring
17	215282	Washer
18	215156	Spring
19	215286	Pump Piston
20	A 21060	Wiper Seal
21	A 215866	U-Cup
22	215803	Sleeve
23	215030	Lift Piston
24	A 20642	Locking Ring
25	A 20066	Wiper Seal
26	A 215867	U-Cup
27	156623	Hub Cap
28	215913	Bushing
29	221586	Screw Plug
30	A 24213	O-Ring
31	A 219201	Washer
32	A 39106	Spring
33	A 223935	Valve Cone
34	221232	Overload Valve Screw
35	A 22032	O-Ring
36	221227	Overload Spring
37	221231	Guide Pin
38	22055	Overload Ball
39	A 20065	Valve Ball
40	A 215288	Washer
41	A 22032	O-Ring

Item	Part No.	Description
42	223977	Valve Body
43	A 47071	Spring
44	A 49513	Spring Guide
45	A 22318	U-Cup
46	A 47051	Piston
47	215776	Lowering Valve Kit (Includes Items 39 - 46)
48	213056	Thrust Bearing
49	220312	Roll Pin
50	PL20269	Roll Pin
51	245552	Traverse Plate
52	21737	Locking Ring
53	27662	Grease Fitting
54	20019	Locking Ring
55	161637	Spacer (Use with OEM 200965 only)
56	220310	Axle
57	22226	Bearing
58	251189	Steer Wheel Assembly, Nylon W/ Bearings
	160422	Steer Wheel Assembly, Poly on Nylon
	200965	Steer Wheel Assembly, Ultra-Poly on Aluminum Hub W/ Bearings
	160433	Steer Wheel Assembly, Steel W/ Bearings
	GWK-LCR-CK	Complete Wheel Kit, (2) Ultra-Poly Load Roller Assemblies (70D), (2) Poly Steer Wheel Assemblies, W/ Bearings, Axles & Fasteners
KIT A	243772	Seal Kit
	HU LF LCR55	Rebuilt Hydraulic Unit

Complete Wheel Kit



Magnum (Intrupa) 5000 Frame

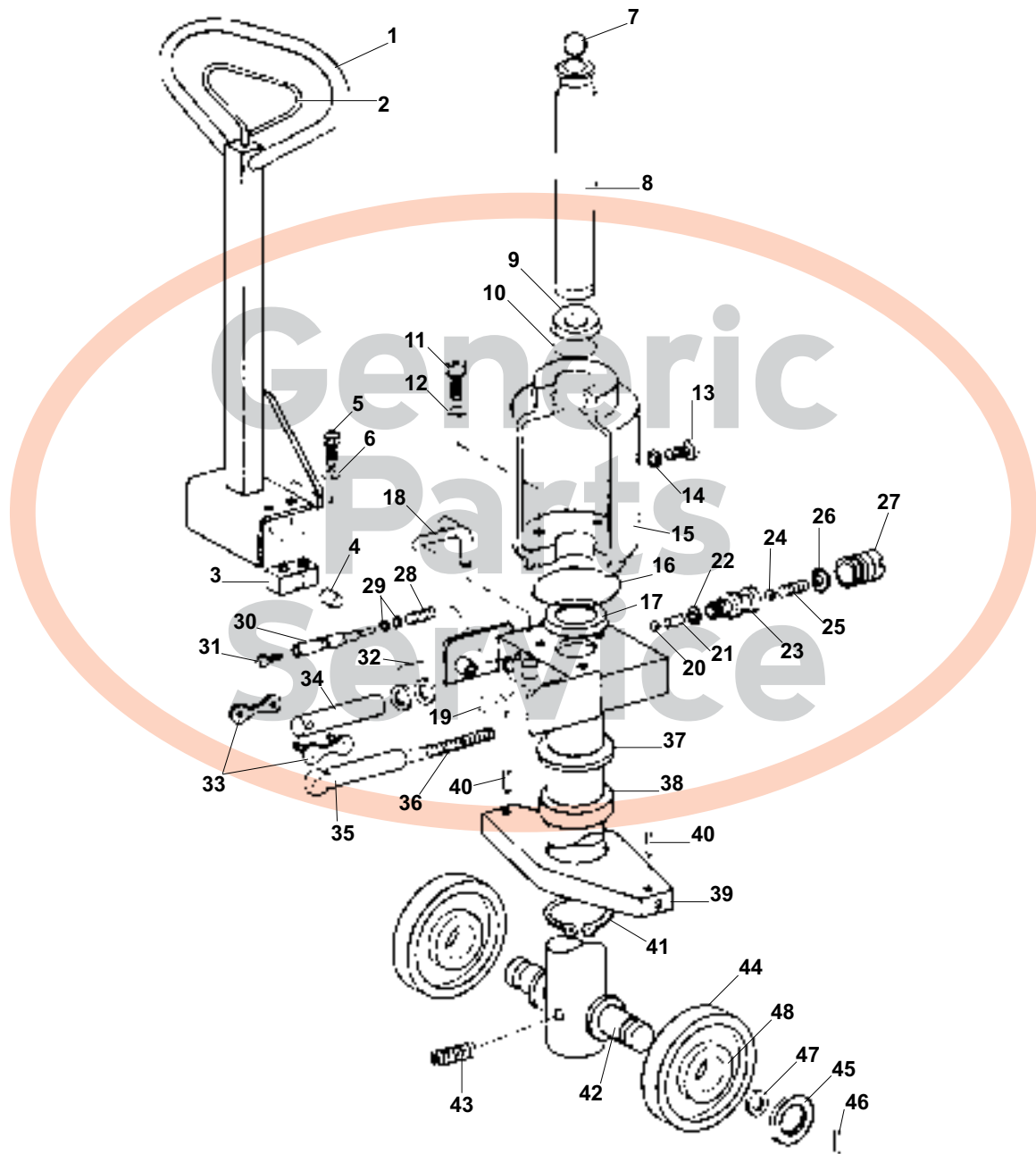


Magnum (Intrupa) 5000 Frame

Item	Part No.	Description
1	520	Roll Pin
2	522	Lifting Link, 27" Wide Jack
	523	Lifting Link, 20-1/2" Wide Jack
3	108	Bushing
4	526	Roll Pin
5	525	Shoulder Pin
6	529	Lock Nut
7	519	Lock Washer
8	527	Eccentric Pin
9	528	Bolt
10	521	Bushing
11	530	Lifting Link Pin
12	535	Push Rod, 48" Forks
13	531	Pin

Item	Part No.	Description
14	108	Bushing
15	545	Entry Roller
17	546	Bushing and Axle Assembly
18	540	Axle
19	541	Load Roller Bracket
20	542	Roll Pin
21	544	Exit Roller
22	537-A	Load Roller Assembly, Black Ultra-Poly On Steel Hub W/ Bearings
	536-A	Load Roller Assembly, Nylon W/ Bearings
	538-A	Load Roller Assembly, Steel W/ Bearings
23	543	Axle
24	152	Roll Pin
25	539	Bearing

Magnum (Intrupa) 5000 Hydraulic Unit

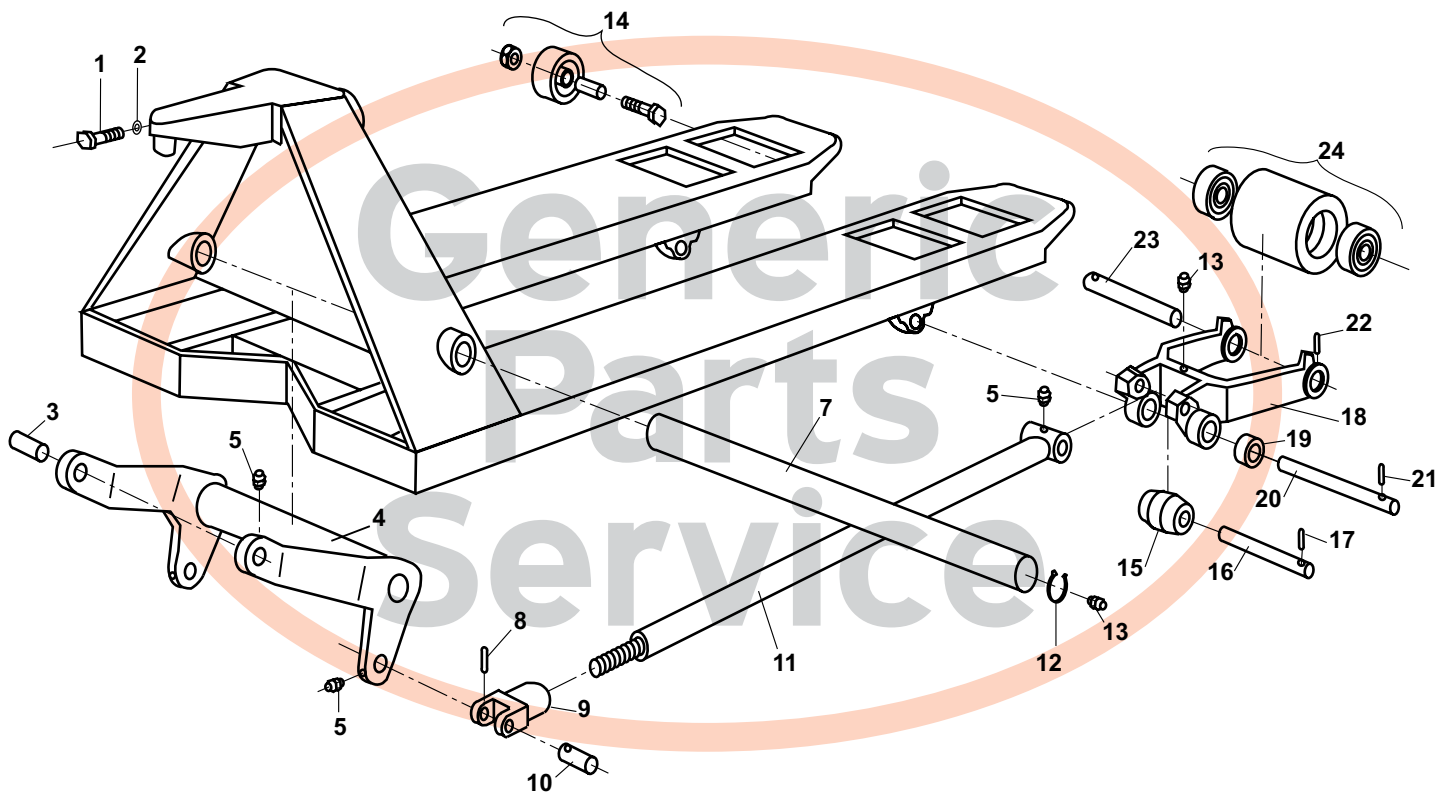


Magnum (Intrupa) 5000 Hydraulic Unit

Item	Part No.	Description
1	105	Handle Assembly
2	106	Control Lever
3	107	Bearing Block
4	108	Bushing
5	109	Screw (Includes item 6)
6	110	Lock Washer
7	111	Ball
8	112	Ram
9	AB 114	Scraper
10	AB 115	O-Ring
11	117	Screw
12	117-1	Lock Washer
13	118	Screw Plug
14	AB 123	O-Ring
15	113	Tank Reservoir
16	AB 116	O-Ring
17	AB 131	Seal
18	120	Valve Pin
19	A 121	Locking Ring
20	AB 132	Ball
21	A 133	Roll Pin
22	AB 123	O-Ring
23	A 135	Valve
24	AB 136	Ball
25	AB 137	Spring
26	AB 138	O-Ring
27	A 139	Screw Plug
28	AB 122	Spring
29	AB 123	O-Ring
30	A 124	Valve Pin
31	A 125	Adjusting Screw

Item	Part No.	Description
32	AB 126	Quad Ring
33	A 128	Master Link
34	A 127	Pump Piston
35	129	Plunger
36	A 130	Spring
37	141	Spacer
38	142	Traverse Bearing
39	143	Traverse
40	542A	Roll Pin
41	144	Snap Ring
42	145	Steer Wheel Axle
43	146	Screw
44	148-A-HD	Steer Wheel Assembly, Red Ultra-Poly On Aluminum Hub W/ Bearings
	148-A-ST	Steer Wheel Assembly, Poly On Nylon Hub W/ Bearings
	147-A	Steer Wheel Assembly, Nylon W/ Bearings
	149-A	Steer Wheel Assembly, Steel W/ Bearings
	148-HD	Steer Wheel, Red Ultra-Poly On Aluminum Hub, use W/ OEM Style Bearings #48
45	151	Washer
46	152	Roll Pin
47	151-1	Bearing Retaining Washer
	151-2	Bearing Retaining Washer (Wet Application)
48	150	Bearing, OEM Style
KITS	A 153-SUPER	Super Seal Kit
KITS	B 153	Seal Kit
HU	HU MG 5000	Rebuilt Hydraulic Unit - Exchange

Mighty Lift ML55 Frame



Note:
Mighty Lift Load Wheel 3.75" Wide.
Mobile ECO I-55 Load Wheel 3.5" Wide.

Mighty Lift ML55 Frame

Item	Part No.	Description
1	B42	Bolt
2	B41	Washer
3	B14	Pin
4	B43	Lifting Link, 27" Wide Jack
5	B22	Lube Fitting
7	B20	Lifting Link Shaft, 27" Wide Jack
8	B16	Roll Pin
9	B17	Rod Fitting
10	B18	Pin
11	B19	Push Rod
12	B21	Retaining Ring
13	B15	Lube Fitting
14	B36A	Entry Roller, Axle, Sleeve, Nut Assembly
15	B23	Exit Roller
16	B25	Shaft
17	B24	Roll Pin

Item	Part No.	Description
18	B31	Load Roller Bracket
19	B28	Exit Roller
20	B26	Shaft
21	B27	Roll Pin
22	B30	Roll Pin
23	B29	Shaft
24	B35	Load Roller Assembly, Black Ultra-Poly On Steel Hub W/ Bearings
	B35-N	Load Roller Assembly, Nylon W/ Bearings
	B35-S	Load Roller Assembly, Steel W/ Bearings
	GWK-BF-LW	Load Wheel Kit, (2) Black Ultra-Poly (70D), Load Roller Assemblies, W/ Bearings, Axles & Fasteners
	GWK-BFN-LW	Load Wheel Kit, (2) Nylon Load Roller Assemblies, W/ Bearings, Axles & Fasteners
	B45	Tandem Load Roller Wheel Assembly

Load Wheel Kit

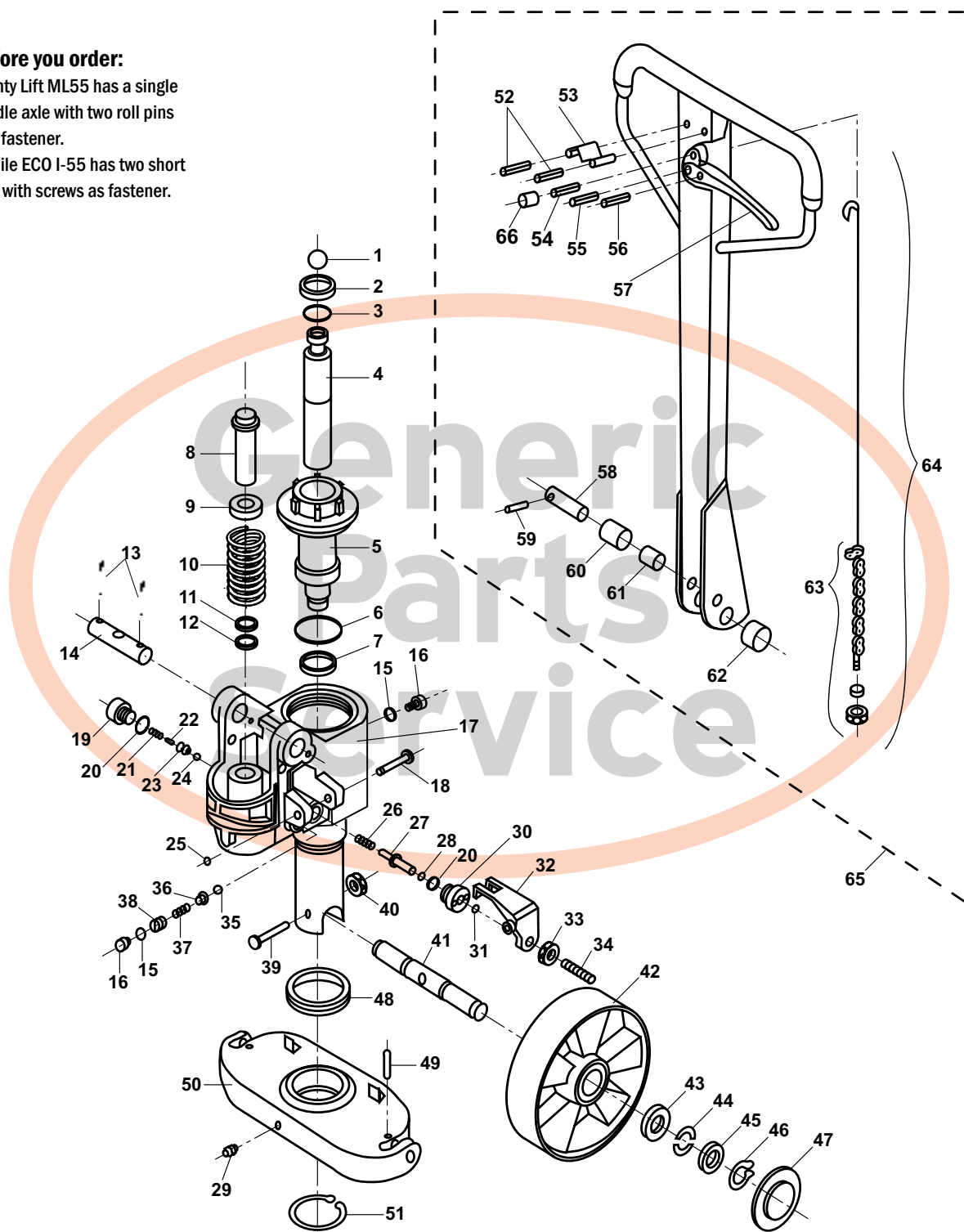


Mighty Lift ML55 Hydraulic Unit

Before you order:

Mighty Lift ML55 has a single handle axle with two roll pins as a fastener.

Mobile ECO I-55 has two short pins with screws as fastener.



Mighty Lift ML55 Hydraulic Unit

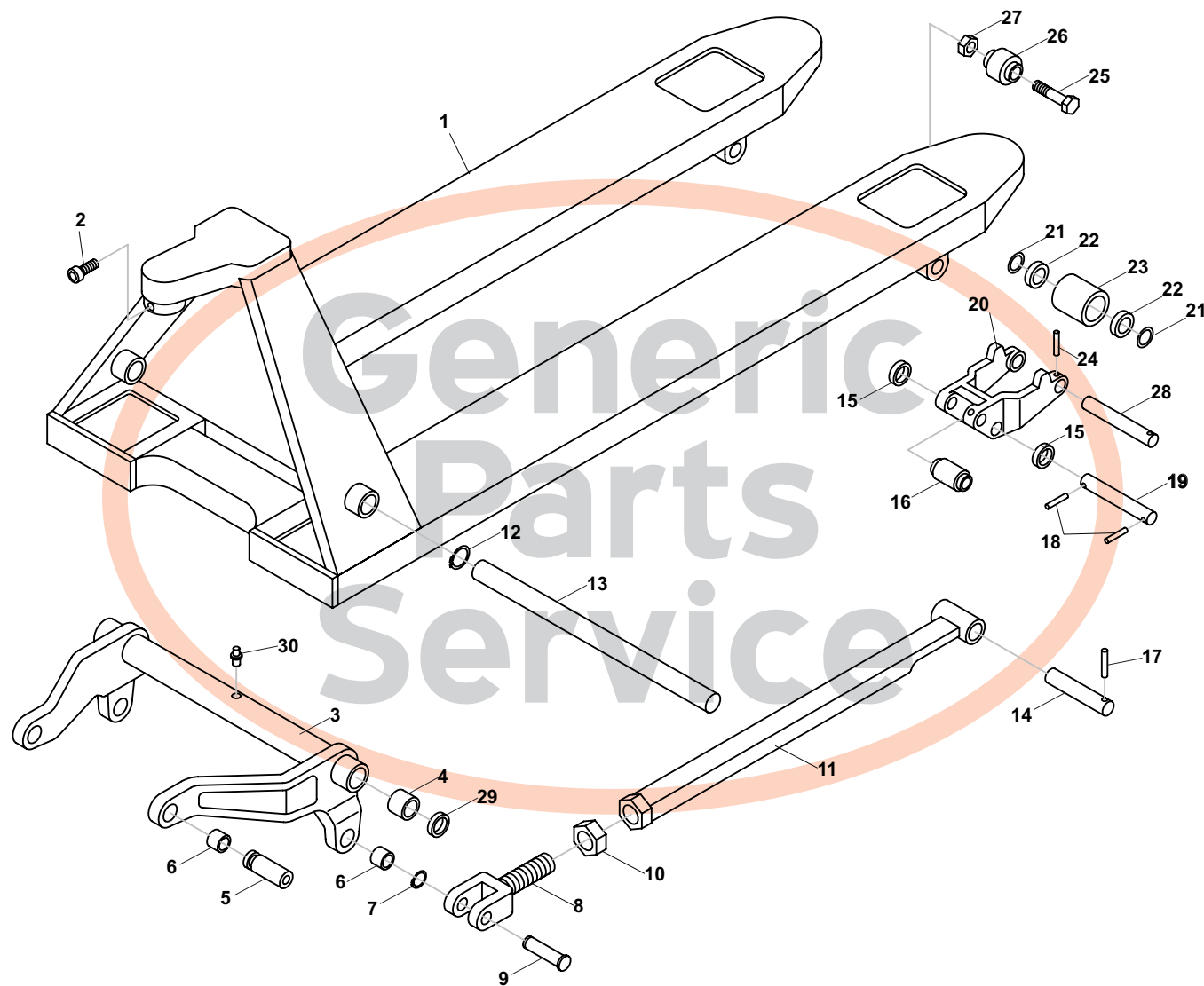
Item	Part No.	Description
1	B146	Ball
2	A B145	Wiper
3	A B144	O-Ring
4	B152	Piston Rod
5	B143	Cylinder Cap
6	A B142	O-Ring
7	A B141	U-Cup
8	B147	Pump Piston
9	B148	Washer
10	B149	Spring
11	A B150	Wiper
12	A B151	U-Cup
13	B117	Cotter Pin
14	B118	Handle Pivot Pin
15	A B126	Copper Washer
16	B127	Screw Plug
17	BP 100	Hydraulic Pump
18	B140	Lever Plate Bolt
19	B119	Screw Plug
20	A B120	Copper Washer
21	B121	Spring
22	B122	Spindle of Damping Valve
23	B123	Seat of Damping Valve
24	B124	Steel Ball
25	B153	Retaining Ring
26	B128	Spring
27	B129	Release Pin
28	A B130	O-Ring
29	B15	Lube Fitting
30	B131	Sleeve
31	A B132	O-Ring
32	B135	Lever Plate

Item	Part No.	Description
33	B134	Nut
34	B133	Set Screw
35	B139	Steel Ball
36	B138	Ball Valve Seat
37	B137	Spring
38	B136	Adjustment Screw
39	B3	Bolt
40	B44	Nut
41	B2	Steer Wheel Axle
42	B8	Steer Wheel Assembly, Poly On Nylon Hub W/ Bearings
	B8-HD	Steer Wheel Assembly, Red Ultra-Poly on Aluminum Hub, W/ Bearings
	GWK-BF-CK	Complete Wheel Kit, (2) Ultra-Poly Load Roller Assemblies (70D), (2) Poly Steer Wheel Assemblies, W/ Bearings, Axles & Fasteners
	GWK-BFN-CK	Complete Wheel Kit, (2) Nylon Load Roller Assemblies, (2) Nylon Steer Wheel Assemblies, W/ Bearings, Axles & Fasteners
43	B9	Bearing
44	B10	Half Cirque
45	B11	Washer
46	B12	Retaining Ring
47	B13	Dust Cover
48	B4	Thrust Bearing
49	B6	Spring Pin
50	B5	Traverse
51	B7	Retaining Ring
52	B102	Roll Pin
53	B101	Blade Spring
54	B104	Roll Pin
55	B105	Roll Pin
56	B106	Roll Pin
57	B107	Control Lever
58	B109	Handle Pin
59	B110	Roll Pin
60	B111	Roller
61	B112	Bushing
62	B114	Handle Bushing
63	B115	Chain, Adjustment Pin and Nut
64	B113A	Control Rod Assembly (includes item 57)
65	B1A	Handle Assembly
66	B103	Control Handle Roller
KITS A	BK100	Seal Kit

Complete Wheel Kit



Mighty Lift ML55-II & ML55L Frame



Mighty Lift ML55-II & ML55L Frame

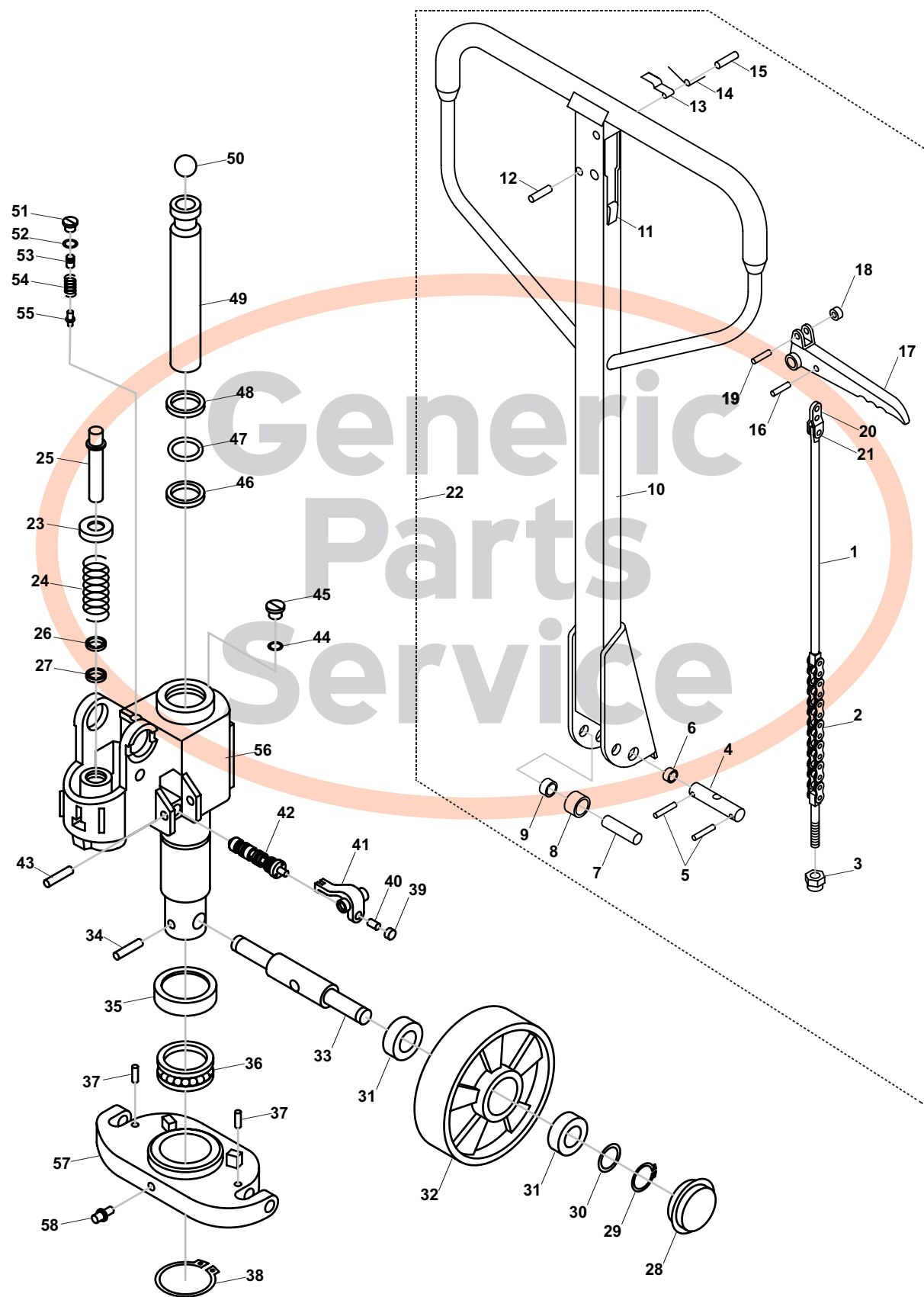
Item	Part No.	Description
1	A201	Frame
2	A202	Bolt
3	A203	Lifting Link, 27" Wide Jack
4	A204	Bushing
5	A205	Shoulder Pin
6	A206	Bushing
7	A208	Snap Ring
8	A209	Joint
9	A210	Pin
10	A211	Nut
11	A212	Push Rod, 48" Forks
12	A213	Snap Ring
13	A214	Shaft
14	A216	Pivot Axle
15	A217	Exit Roller
16	A218	Exit Roller
17	A219	Roll Pin
18	A220	Roll Pin
19	A221	Pivot Axle

Item	Part No.	Description
20	A222	Load Roller Bracket
21	A225	Washer
22	B009	Bearing
23	B35-D	Load Wheel Assembly, Red Ultra-Poly on Aluminum Hub W/ Bearings
	B35	Load Wheel Assembly, Black Ultra-Poly on Steel Hub W/ Bearings
	B35-S	Load Wheel Assembly, Steel W/ Bearings
	B35-N	Load Wheel Assembly, Nylon W/ Bearings
	GWK-BFII-LW	Load Wheel Kit, (2) Black Ultra-Poly (70D), Load Roller Assemblies, W/ Bearings, Axles & Fasteners
24	A230	Roll Pin
25	A231	Bolt
26	A232	Entry Roller
27	A233	Locking Nut
28	A235	Load Wheel Axle
29	A236	Washer
30	A237	Lube Fitting

Load Wheel Kit



Mighty Lift ML55-II & ML55L Hydraulic Unit



Mighty Lift ML55-II & ML55L Hydraulic Unit

Item	Part No.	Description
1	A101	Release Rod
2	A102	Chain & Bolt
3	A104	Adjusting Nut
4	A105	Handle Axle
5	A106	Roll Pin
6	A107	Bushing
7	A108	Roller Pin
8	A109	Pressure Roller
9	A109A	Bushing
10	A110	Handle Frame
11	A111	Rubber Handle Stop
12	A112	Roll Pin
13	A113	Blade Spring
14	A114	Spring
15	A115	Roll Pin
16	A116	Roll Pin
17	A117	Control Handle
18	A118	Roller
19	A119	Roll Pin
20	A121	Pivot Hinge
21	A122	Pin
22	B001	Handle Assembly (Includes Items 1-3 & 6-21)
23	A301	Spring Cap
24	A302	Spring
25	A303	Pump Piston
26	A A304	Dust Ring
27	A A305	U-Cup
28	A306	Dust Cover
29	A307	Locking Ring
30	A308	Washer
31	B009	Bearing
32	B008	Steer Wheel Assembly, Black Poly on Nylon Hub, W/ Bearings
	B008-D	Steer Wheel Assembly, Red Ultra-Poly on Aluminum Hub, W/ Bearings
	B008-S	Steer Wheel Assembly, Steel, W/ Bearings
	B008-N	Steer Wheel Assembly, Nylon, W/ Bearings
	GWK-BFII-CK	Complete Wheel Kit, (2) Ultra-Poly Load Roller Assemblies (70D), (2) Poly Steer Wheel Assemblies, W/ Bearings, Axles & Fasteners

Item	Part No.	Description
33	A316	Steer Wheel Axle
34	A311	Roll Pin
35	A337	Bearing Cover
36	A315	Thrust Bearing
37	A312	Roll Pin
38	A314	Snap Ring
39	A317	Nut
40	A318	Screw
41	A319	Lever Plate
42	A321	Valve Cartridge
43	A320	Roll Pin
44	A A323	Seal Washer
45	A324	Screw Plug
46	A A325	U-Cup
47	A A326	O-Ring
48	A A327	Wiper
49	A328	Piston Rod
50	A329	Ball
51	A330	Screw Plug
52	A A331	O-Ring
53	A332	Adjustment Screw
54	A333	Spring
55	A334	Overload Valve Spindle
56	AP100	Hydraulic Unit
57	A313	Traverse Plate
58	A335	Lube Fitting
Kits A	AK100	Seal Kit

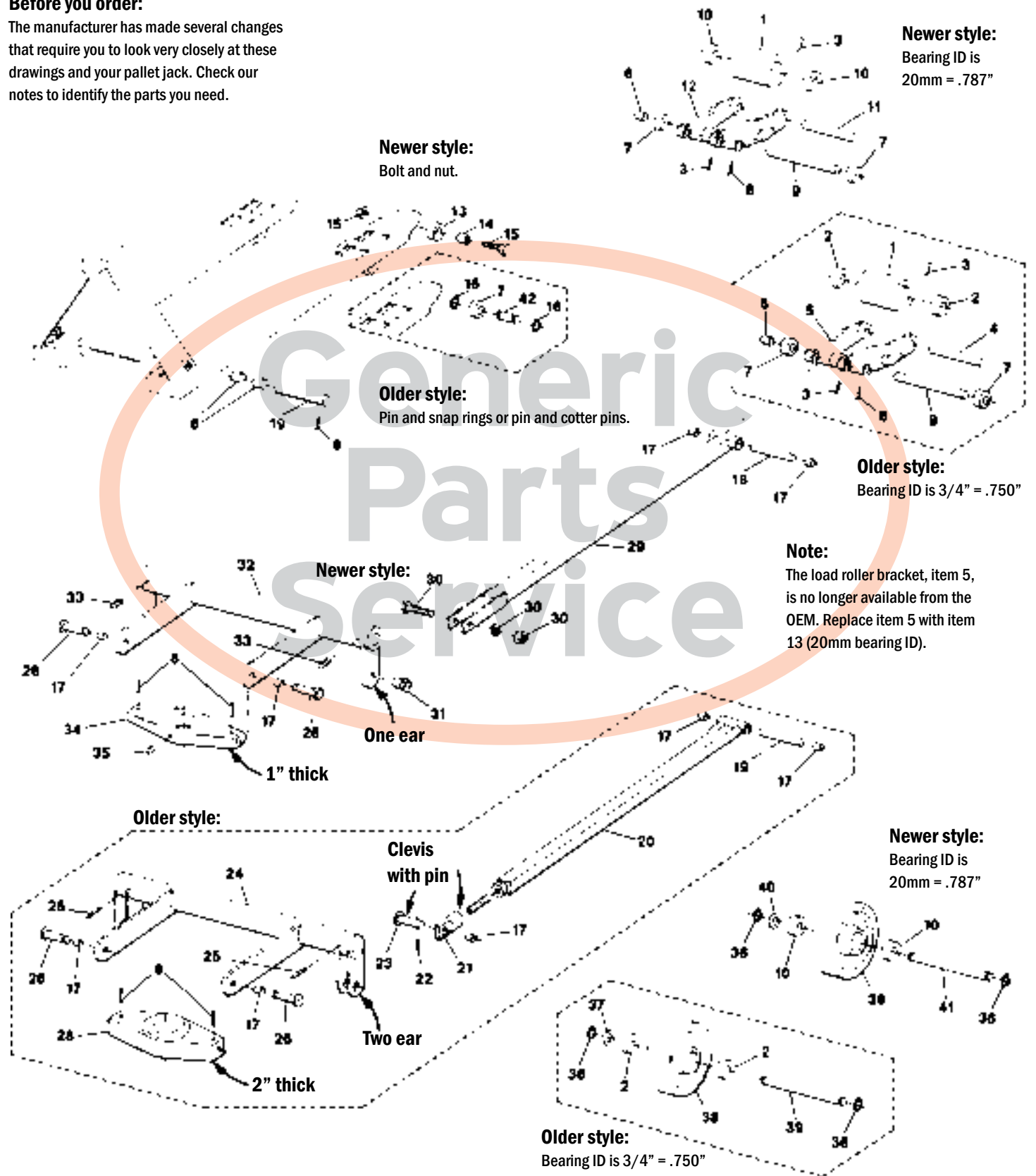
Complete Wheel Kit



Mobile ML55 Frame

Before you order:

The manufacturer has made several changes that require you to look very closely at these drawings and your pallet jack. Check our notes to identify the parts you need.



Mobile ML55 Frame

Item	Part No.	Description
1	203/210-A-D	Load Roller Assembly, Red Ultra-Poly On Aluminum Hub W/ Bearings, 3/4" ID Bearing
	203/210-A	Load Roller Assembly, Black Ultra-Poly On Steel Hub W/ Bearings, 3/4" ID Bearing
	204/210-A	Load Roller Assembly, Nylon W/ Bearings, 3/4" ID Bearing
	200/210-A	Load Roller Assembly, Steel W/ Bearings, 3/4" ID Bearing
	203/210-1-A-D	Load Roller Assembly, Red Ultra-Poly On Aluminum Hub W/ Bearings, 20mm ID Bearings
	203/210-1-A	Load Roller Assembly, Black Ultra-Poly On Steel Hub W/ Bearings, 20mm ID Bearings
	204/210-1-A	Load Roller Assembly, Nylon W/ Bearings, 20mm ID Bearing
	200/210-1-A	Load Roller Assembly, Steel W/ Bearings, 20mm ID Bearing
	GWK-ML55-LW	Load Wheel Kit, (2) Ultra-Poly Load Roller Assemblies W/ Bearings, Axles and Fasteners 20mm ID Bearing
2	210	Bearing, 3/4" ID
3	404	Roll Pin
4	211	Load Roller Axle, 3/4" Bearing (Older Style)
5	400	Load Roller Bracket, Replace W/ Item 12
6	610	Bushing
7	402	Entry or Exit Roller
8	609	Roll Pin
9	214	Pivot Axle
10	210-1	Bearing, 20mm ID
11	211-1	Load Roller Axle, 20mm Bearing (Older Style)
12	400-1	Load Roller Bracket (Newer Style)
13	300	Entry Roller
14	311	Bushing
15	310	Bolt and Nut
16	2050	Snap Ring
	303	Cotter Pin (Not Shown)
17	606	Bushing
18	515	Push Rod Axle
19	611	Lifting Link Shaft (Older Style)
	611-1	Lifting Link Shaft (Newer Style)
20	500	Push Rod, 36" Forks
	501	Push Rod, 42" Forks
	502	Push Rod, 48" Forks

Item	Part No.	Description
21	520	Clevis
22	404	Roll Pin
23	512	Pin
24	650	Lifting Link, 20-1/2" Wide Jack
	651	Lifting Link, 27" Wide Jack
25	612	Roll Pin
26	605	Shoulder Pin
28	2009	Traverse (2" Thick)
29	505	Push Rod, 48" Forks (Newer Style)
30	526	Bolt, Nut and Washer
31	525	Eccentric
32	655	Lifting Link, 20-1/2" Wide Jack
	656	Lifting Link, 27" Wide Jack
33	2053	Set Screw
34	657	Traverse (1" Thick)
35	658	Grease Fitting
36	2050	Snap Ring
37	103	Washer
38	101/210-A-HD	Steer Wheel Assembly, Red Ultra-Poly On Aluminum Hub W/ Bearings, 3/4" ID Bearing
	101/210-A-ST	Steer Wheel Assembly, Poly On Nylon Hub W/ Bearings, 3/4" ID Bearing
	100/210-A	Steer Wheel Assembly, Steel W/ Bearings, 3/4" ID Bearing
	101/210-1-A-HD	Steer Wheel Assembly, Red Ultra-Poly On Aluminum Hub W/ Bearings, 20mm ID Bearings
	101/210-1-A-ST	Steer Wheel Assembly, Poly On Nylon Hub W/ Bearings, 20mm ID Bearings
	100/210-1-A	Steer Wheel Assembly, Steel W/ Bearings, 20mm ID Bearing
	GWK-ML55-CK	Complete Wheel Kit, (2) Ultra-Poly Load Roller Assemblies (70D), (2) Poly Steer Wheel Assemblies, W/ Bearings, Axles & Fasteners
39	104	Steer Wheel Axle, 3/4" Diameter
40	103-1	Washer
41	104-1	Steer Wheel Axle, 20mm Diameter
42	302	Pin (Snap Ring Style)

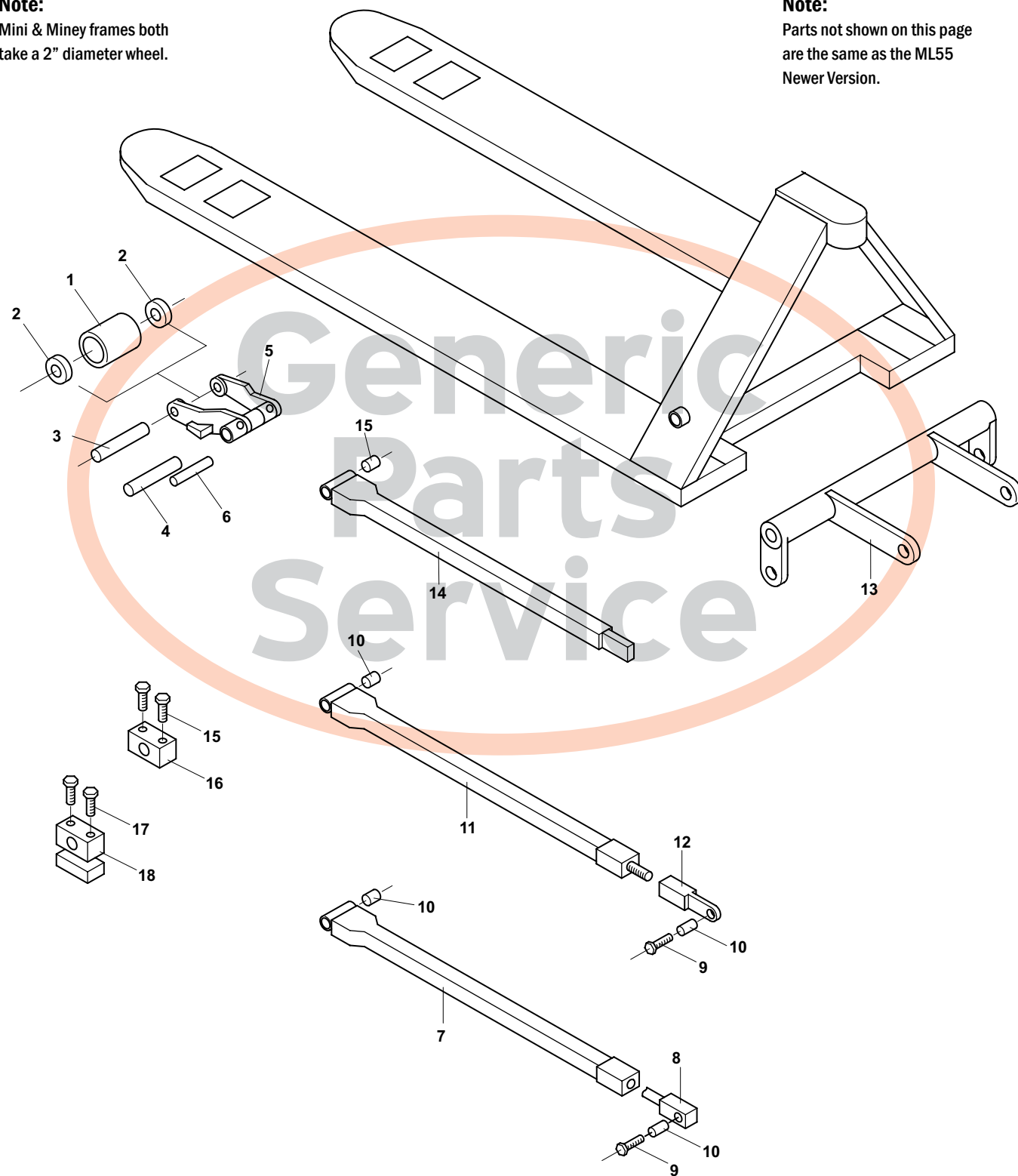
Mobile ML45 Mini & Miney Frame

Note:

Mini & Miney frames both take a 2" diameter wheel.

Note:

Parts not shown on this page are the same as the ML55 Newer Version.

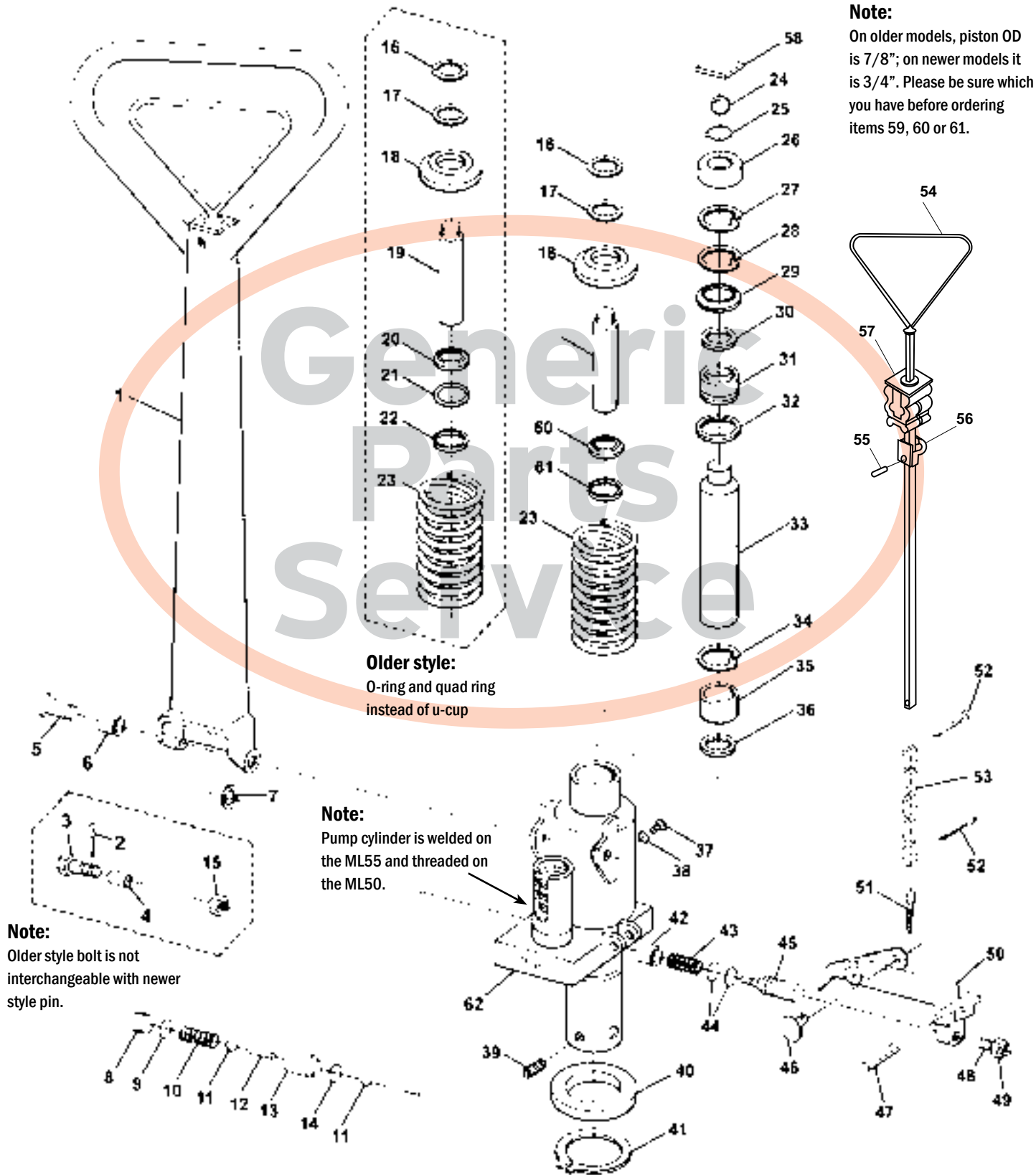


Mobile ML45 Mini & Miney Frame

Item	Part No.	Description
1	M200-S-A	Load Roller Assembly, Steel W/Bearings
	203M-A	Load Roller Assembly, Black Ultra-Poly On Steel Hub W/ Bearings
2	M210	Bearing
3	M211	Axle
4	M214	Pivot Axle
5	M400	Load Wheel Bracket
6	M515	Pin
7	M500-1	MK2 Push Rod, 36" Forks
	M501-1	MK2 Push Rod, 42" Forks
	M502-1	MK2 Push Rod, 48" Forks
8	M520	Clevis
9	M605	Pin
10	M606	Bushing

Item	Part No.	Description
11	M500-2	MK3 Push Rod, 36" Forks
	M501-2	MK3 Push Rod, 42" Forks
	M502-2	MK3 Push Rod, 48" Forks
12	M521	Clevis
13	M650	Lifting Link, 20.5" Wide Jack
	M651	Lifting Link, 27" Wide Jack
	M652	Lifting Link, 32" Wide Jack
14	M500	Push Rod, 36" Forks
	M501	Push Rod, 42" Forks
	M502	Push Rod, 48" Forks
15	M551	Screw
16	M551-1	Pillar Block
17	M550	Screw
18	M550-1	Pillar Block

Mobile ML55, ML45 Mini & Miney Hydraulic Unit

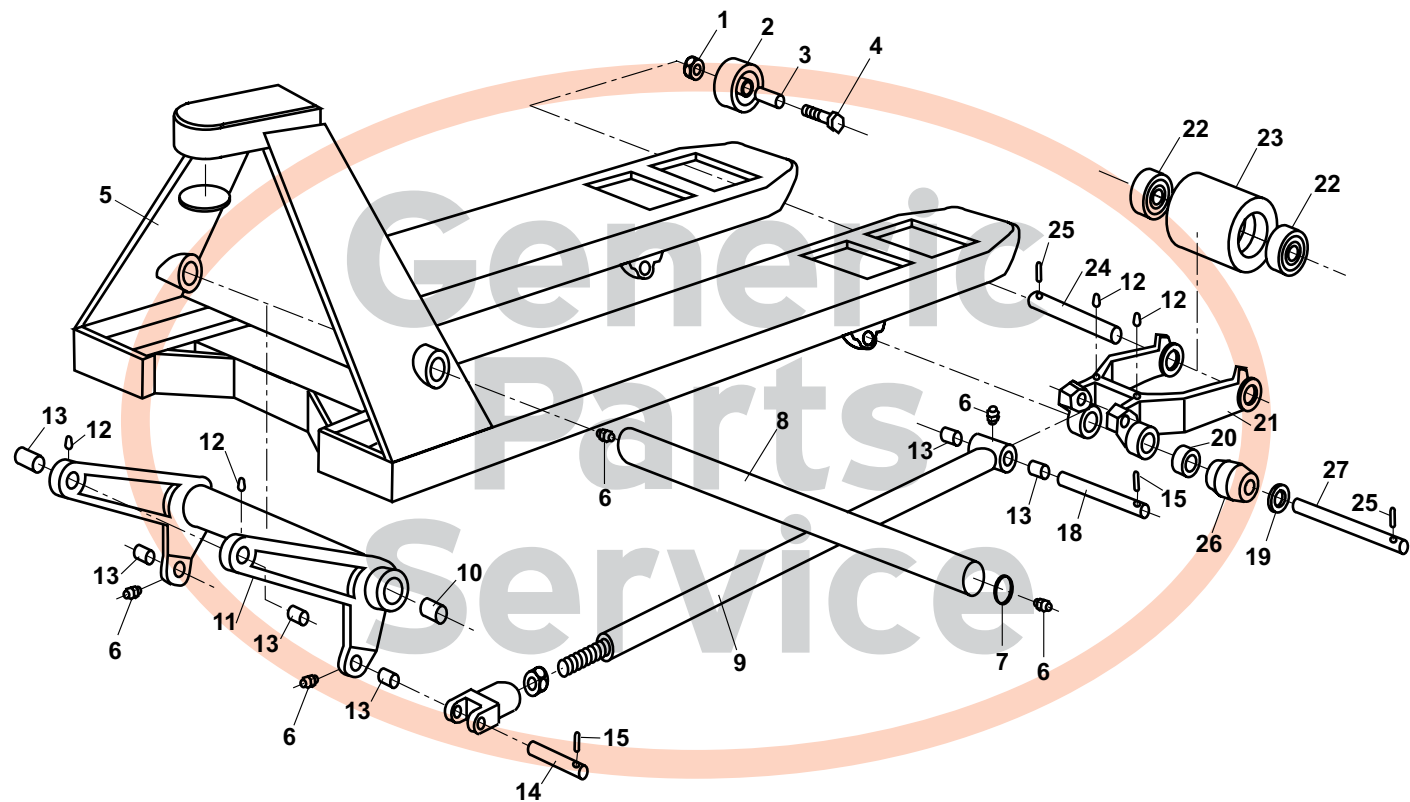


Mobile ML55, ML45 Mini & Miney Hydraulic Unit

Item	Part No.	Description
1	3022-1	Handle Assembly (Newer Style, Uses Item 5)
2	2037	Roll Pin
3	2034	Handle Bolt
4	2035	Bushing
5	2034-1	Handle Pin
6	606	Bushing
7	3027	Snap Ring
8	A 3004	Screw Plug
9	A B 3003	O-Ring
10	A B 2023	Spring
11	A B 2022	Ball
12	A B 3002	Roll Pin
13	A 3000	Valve
14	A B 3001	O-Ring
15	2036	Nut
16	2050	Snap Ring
17	2051	Washer
18	2052	Spring Cap
19	3019	Piston, 7/8" OD (Older Style)
20	A B 2017	Scraper, 7/8" ID (Older Style)
21	A B 2015	O-Ring
22	A B 3020	Quad Ring
23	3021	Spring
24	1997	Ball
25	1998	Snap Ring
26	1999	Bearing
27	3031	Snap Ring
28	2047	Snap Ring
29	A B 1994	Scraper
30	A B 2002	O-Ring
31	2003	Bushing
32	A B 2004	O-Ring
33	2000C	Ram (Universal Older and Newer)
34	1995	Snap Ring
35	1993	Bushing 1-1/2" (Older Style)
	1993-1	Bushing 1/2" (Newer Style)

Item	Part No.	Description
36	A B 2007	U-Cup
37	2005	Filler Plug
38	A B 2006	O-Ring
39	2053	Set Screw
40	2010	Traverse Bearing
41	2008	Snap Ring
42	3030	Bushing, Nylon
43	A B 2028	Spring
44	A B 2030	O-Ring
45	2029	Release Pin
46	3016	Chain Connector Pin
47	2031	Roll Pin
48	2026	Adjusting Screw
49	2025	Nut
50	3015	Release Lever
51	3014	Chain Connector
52	303	Cotter Pin
53	3017	Chain
54	3018-1	Control Rod (Includes Items 54-57)
55	3042	Roll Pin
56	3041	Slide Rest
57	3040	Control Box
58	1996	Plate
59	3019	Piston, 7/8" OD (Older Style)
	3075	Piston, 3/4" OD (Newer Style)
60	A B 2017	Scraper, 7/8" ID (Older Style)
	A B 3077	Scraper, 3/4" ID (Newer Style)
61	A B 3020-1	U-Cup, 7/8" ID (Older Style)
	A B 3076	U-Cup, 3/4" ID (Newer Style)
62	HU MO ML55	Rebuilt Hydraulic Unit, Exchange
KITS	A 3025-SUPER	Super Seal Kit
KITS	B 3025	Seal Kit
	HU MO ML55	Rebuilt Hydraulic Unit - Exchange

Mobile MLX55 Frame



Mobile MLX55 Frame

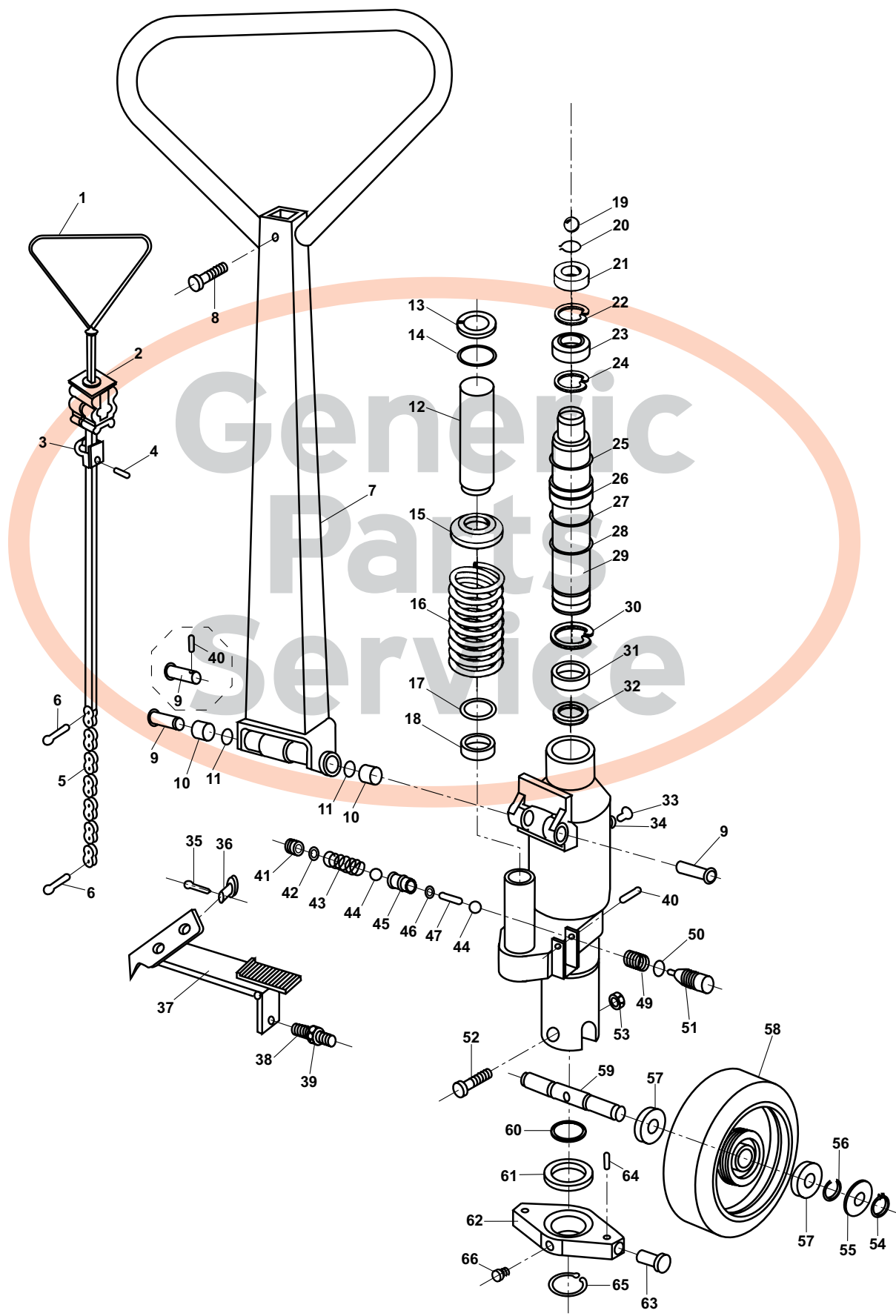
Item	Part No.	Description
1	120X405	Nut
2	120X402	Entry Roller
3	120X311	Sleeve
4	120X310	Bolt
5	12X1996	Spacer Plate
6	120X659	Grease Fitting (Threaded)
7	120X613	Retaining Ring
8	120X618	Lifting Link Shaft
9	120X502	Push Rod, 32" Forks
	120X503	Push Rod, 36" Forks
	120X504	Push Rod, 42" Forks
	120X505	Push Rod, 48" Forks
10	120X616	Bushing
11	120X655	Lifting Link, 20-1/2" Fork Width
	120X656	Lifting Link, 27" Fork Width
12	120X658	Oiler Fitting
13	120X606	Bushing
14	120X526	Pivot Pin
15	120X607	Roll Pin

Item	Part No.	Description
16	120X520	Clevis
17	120X521	Nut
18	120X515	Push Rod Pin
19	120X614	Exit Roller
20	120X615	Bushing
21	120X400	Load Roller Bracket
22	120X210	Bearing
23	120X205-A-D	Load Roller Assembly, Red Ultra-Poly On Aluminum Hub W/ Bearings
	120X205-A	Load Roller Assembly, Black Ultra-Poly On Steel Hub W/ Bearings
	120X205-N-A	Load Roller Assembly, Nylon W/ Bearings
	GWK-MLX55-LW	Load Wheel Kit, (2) Black Ultra-Poly (70D), Load Roller Assemblies, W/ Bearings, Axles & Fasteners
24	120X211	Load Wheel Axle
25	120X608	Roll Pin
26	120X407	Exit Roller
27	120X214	Bracket Axle

Load Wheel Kit



Mobile MLX55 Hydraulic Unit



Mobile MLX55 Hydraulic Unit

Item	Part No.	Description
1	12X3018	Control Rod (Includes Items 1-4)
2	12X3040	Control Box
3	12X3041	Slide Rest
4	12X3042	Roll Pin
5	12X3017	Chain
6	120X303	Cotter Pin
7	12X3022	Handle Assembly, (Includes Items 1-8, 10)
8	12X3011	Screw
9	12X2034	Handle Pin (Use with Item 11)
	12X2034-1	Handle Pin (Use with Item 40)
10	120X606	Bushing
11	12X3027	Locking Ring
12	12X3075	Pump Piston
13	12X2050	Locking Ring
14	12X2051	Washer
15	12X2052	Cover
16	12X3021	Spring
17	A 12X3077	Wiper
18	A 12X3076	U-Cup
19	12X1997	Ball
20	12X1998	Locking Ring
21	12X1999	Bearing
22	12X3031	Locking Ring
23	12X2056	Dust Cover
24	12X2047	Locking Ring
25	A 12X1994	Wiper
26	12X2003	Bearing
27	A 12X2004	Seal
28	A 12X2002	Seal
29	12X2000	Lift Piston
30	12X1995	Locking Ring
31	12X1993	Bushing
32	A 12X2007	U-Cup
33	12X2005	Filler Screw
34	A 12X2006	O-Ring
35	12X3014	Screw
36	12X3016	Connecting Pin
37	12X3015	Foot Control Assembly
38	12X2026	Adjusting Screw
39	12X2025	Lock Nut
40	12X2038	Roll Pin
41	12X3004	Screw Plug
42	A 12X3003	O-Ring
43	A 12X2023	Spring
44	A 12X2022	Ball

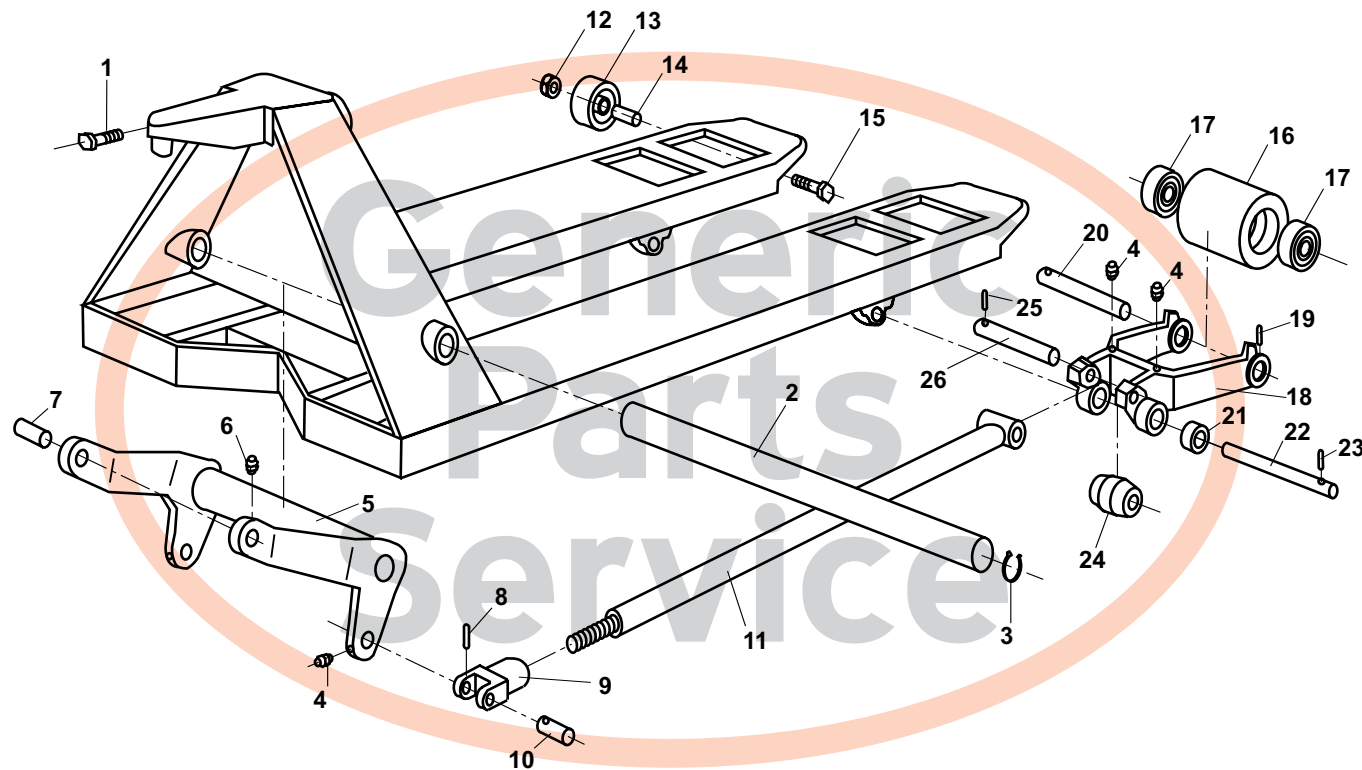
Item	Part No.	Description
45	12X3000	Valve Cartridge
46	A 12X3001	O-Ring
47	A 12X3002	Pin
49	A 12X2028	Spring
50	A 12X2030	O-Ring
51	12X2029	Control Pin
52	12X2053	Bolt
53	12X2054	Nut
54	12X2050	Locking Ring
55	120X103	Washer
56	120X110	Half Round Locking Ring
57	120X210	Bearing
58	120X105-A-HD	Steer Wheel Assembly, Red Ultra-Poly On Aluminum Hub W/ Bearings
	120X105-A-ST	Steer Wheel Assembly, Poly On Nylon W/ Bearings
	GWK-MLX55-CK	Complete Wheel Kit, (2) Ultra-Poly Load Roller Assemblies (70D), (2) Poly Steer Wheel Assemblies, W/ Bearings, Axles & Fasteners
59	120X104	Steer Wheel Axle
60	12X2011	Spacer
61	120X2010	Thrust Bearing
62	120X657	Traverse Plate
63	120X605	Shoulder Pin
64	120X607	Roll Pin
65	12X2008	Locking Ring
66	120X659	Grease Fitting (Threaded)
KITS	A 12X3025	Seal Kit
	HU MO MLX55	Rebuilt Hydraulic Unit - Exchange

Complete Wheel Kit



Mobile ECO I-55 Frame

Note:
Mighty Lift Load Wheel 3.75" Wide.
Mobile ECO I-55 Load Wheel 3.5" Wide



Mobile ECO I-55 Frame

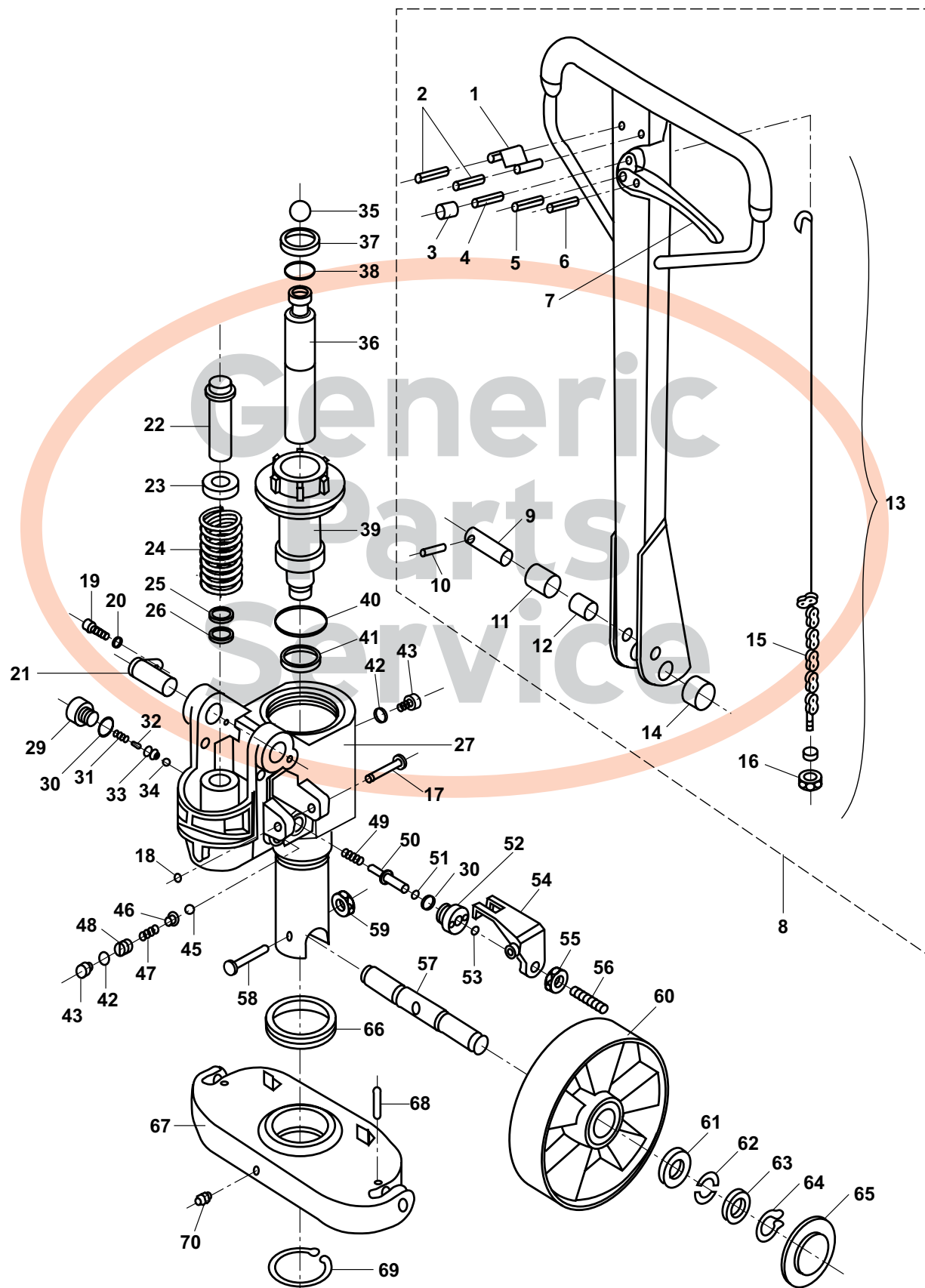
Item	Part No.	Description
1	120E42	Bulkhead Bolt
2	120E20	Bell Crank Shaft
3	120E21	Locking Ring
4	120E15	Grease Fitting (Threaded)
5	120E43	Lifting Link, 27" Wide Jack
6	120E22	Lube Fitting
7	120E14	Shoulder Pin
8	120E16	Roll Pin
9	120E17	Clevis
10	120E18	Clevis Pin
11	120E19	Push Rod, 48" Forks
12	120E39	Nut
13	120E38	Entry Roller
14	120E37	Sleeve
15	120E36	Bolt, Entry Roller

Item	Part No.	Description
16	120E35-A-D	Load Roller Assembly, Red Ultra-Poly On Aluminum Hub W/ Bearings
	120E35-A	Load Roller Assembly, Black Ultra-Poly On Steel Hub W/ Bearings
	120E35N-A	Load Roller Assembly, Nylon W/ Bearings
	120E35S-A	Load Roller Assembly, Steel W/ Bearings
	GWK-ECO-LW	Load Wheel Kit, (2) Black Ultra-Poly (70D), Load Roller Assemblies, W/ Bearings, Axles & Fasteners
17	120E9	Bearing
18	120E31	Load Roller Bracket
19	120E30	Roll Pin
20	120E29	Load Roller Axle
21	120E28	Rear Guide Roller
22	120E26	Hanger Axle
23	120E27	Roll Pin
24	120E23	Exit Roller
25	120E24	Roll Pin
26	120E25	Push Rod Axle

Load Wheel Kit



Mobile ECO I-55 Hydraulic Unit



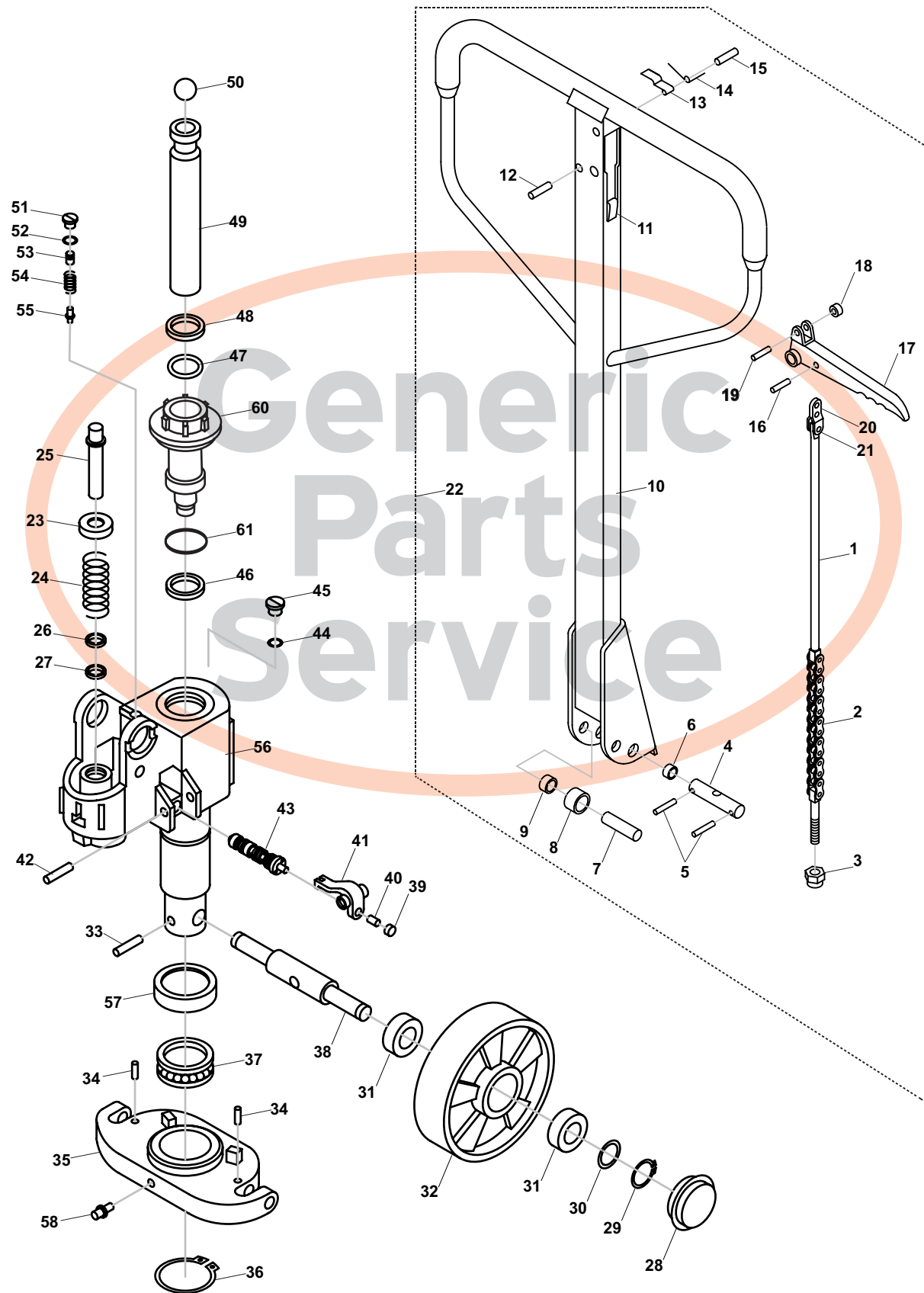
Mobile ECO I-55 Hydraulic Unit

Item	Part No.	Description
1	12E101	Control Handle Spring
2	12E102	Roll Pin
3	12E103	Control Handle Roller
4	12E104	Roll Pin
5	12E105	Roll Pin
6	12E106	Roll Pin
7	12E107	Control Lever
8	120E1	Handle Assembly
9	12E109	Handle Pin
10	12E110	Roll Pin
11	12E111	Handle Pressure Roller
12	12E112	Handle Pin Bushing
13	12E113-A	Control Handle Rod Assembly
14	12E114	Handle Bushing
15	12E115	Chain
16	12E116	Adjustment Nut
17	12E140	Lever Plate Bolt
18	12E154	Retaining Ring
19	12E117	Screw
20	12E153	Lock Washer
21	12E118	Handle Pivot Pin
22	12E147	Pump Piston
23	12E148	Washer
24	12E149	Handle Return Spring
25	A 12E150	Wiper
26	A 12E151	U-Cup
27	120E0	New Replacement Pump HU MO ECO I-55 Rebuilt Pump Assembly-Exchange
29	12E119	Screw Plug
30	A 12E120	Seal Washer
31	12E121	Spring
32	12E122	Damping Valve Spindle
33	12E123	Damping Valve Seat
34	12E124	Ball
35	12E146	Ball
36	12E152	Lift Piston
37	A 12E145	Wiper
38	A 12E144	O-Ring
39	12E143	Cylinder Cap
40	A 12E142	O-Ring
41	A 12E141	U-Cup
42	A 12E126	Seal Washer
43	12E127	Bolt
45	12E139	Ball, Valve
46	12E138	Ball Valve Seat

Item	Part No.	Description
47	12E137	Spring
48	12E136	Bolt
49	12E128	Spring
50	12E129	Strike Pin
51	A 12E130	O-Ring
52	12E131	Sleeve
53	A 12E132	O-Ring
54	12E135	Lever Plate
55	12E134	Nut
56	12E133	Adjusting Screw
57	120E2	Steer Wheel Axle
58	120E3	Steer Axle Bolt
59	120E44	Steer Axle Nut
60	120E8-A-HD	Steer Wheel Assembly, Red Ultra-Poly On Aluminum Hub W/ Bearings
	MO 120E8-A-ST	Steer Wheel Assembly, Black Ultra-Poly On Nylon Hub W/ Bearings
	120E8N-A	Steer Wheel Assembly, Nylon W/ Bearings
	120E8S-A	Steer Wheel Assembly, Steel W/ Bearings
	GWK-ECO-CK	Complete Wheel Kit, (2) Ultra-Poly Load Roller Assemblies (70D), (2) Poly Steer Wheel Assemblies, W/ Bearings, Axles & Fasteners
61	120E9	Bearing
62	120E10	Half Cirque
63	120E11	Washer
64	120E12	Retaining Ring
65	120E13	Hub Cap
66	120E4	Thrust Bearing
67	120E5	Traverse Plate
68	120E6	Roll Pin
69	120E7	Retaining Ring
70	120E41	Lube Fitting
KITS	A 12E155	Seal Kit



Mobile ECO I-55 (Newer Style) Hydraulic Unit



Mobile ECO I-55 (Newer Style) Hydraulic Unit

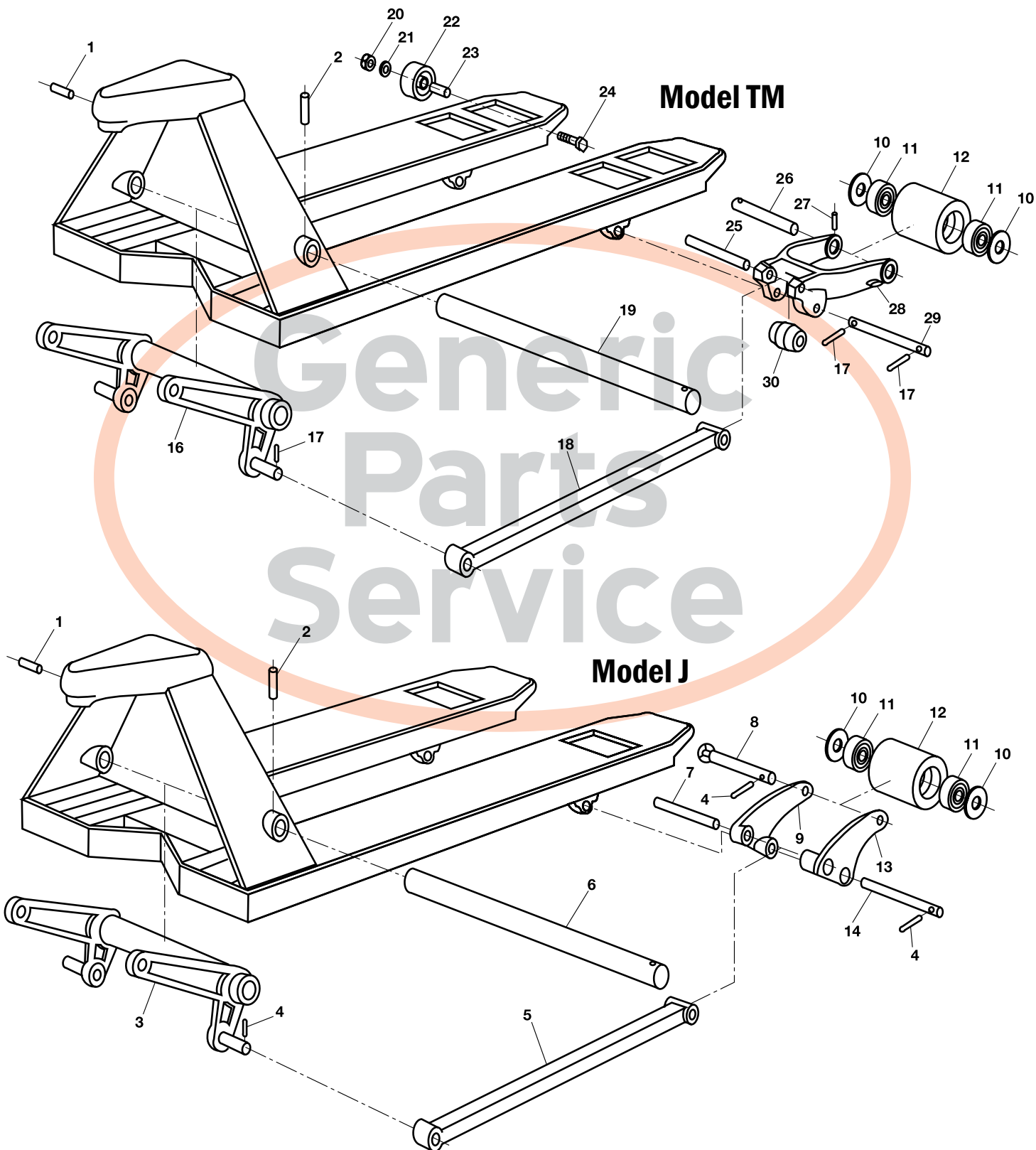
Item	Part No.	Description
1	18E101	Release Rod (Includes #20 & #21)
2	18E102	Chain & Adjustment Screw
3	18E104	Adjustment Nut
4	18E105	Handle Axle
5	18E106	Roll Pin
6	18E107	Bushing
7	18E108	Roller Pin
8	18E109	Pressure Roller
9	18E109A	Bushing
10	18E110	Handle Frame (See #22 Handle Assembly)
11	18E111	Rubber Stop
12	18E112	Roll Pin
13	18E113	Blade Spring
14	18E114	Spring
15	18E115	Roll Pin
16	18E116	Roll Pin
17	18E117	Control Handle
18	18E118	Nylon Roller
19	18E119	Roll Pin
20	18E121	Pivot Hinge (See #1)
21	18E122	Pin
22	18E1	Handle Assy (Includes 1-3 & 6-21)
23	18E301	Spring Cap
24	18E302	Spring Handle Return
25	18E303	Pump Piston
26	A 18E304	Wiper
27	A 18E305	U-Cup
28	18E306	Hub Cap
29	18E307	Snap Ring
30	18E308	Washer
31	18E309	Bearing, Rubber Seal
32	18E310P	Steer Wheel Assembly, Black Poly on Nylon Hub, W/Bearings
	18E310P-D	Steer Wheel Assembly, Red Ultra Poly on Aluminum Hub, W/Bearings
	18E310R	Steer Wheel Assembly, Rubber on Aluminum Hub, W/Bearings
	18E310N	Steer Wheel Assembly, Solid White Nylon Hub, W/Bearings
	18E310S	Steer Wheel Assembly, Solid Steel, W/Bearings
	GWK-ECO2-CK	Complete Wheel Kit, (2) Ultra-Poly Load Roller Assemblies (70D), (2) Poly Steer Wheel Assemblies, W/ Bearings, Axles & Fasteners
33	18E316	Steer Wheel Axle

Item	Part No.	Description
34	18E311	Roll Pin
35	18E337	Bearing Cover
36	18E315	Thrust Bearing
37	18E312	Roll Pin
38	18E314	Snap Ring
39	18E317	Nut
40	18E318	Adjustment Screw
41	18E319	Lever Plate
42	18E321	Valve Cartridge
43	18E320	Roll Pin
44	A 18E323	Seal Washer
45	18E324	Screw Plug
46	A 18E325	U-Cup
47	A 18E326	O-Ring
48	A 18E327	Wiper
49	18E328	Piston Rod
50	18E329	Ball
51	18E330	Screw Plug
52	A 18E331	O-ring
53	18E332	Adjustment Screw
54	18E333	Spring, Overload
55	18E334	Overload Valve Spindle
56	18E0	Hydraulic Unit Complete
57	18E313	Traverse Plate
58	18E335	Lube Fitting
59	18E336	Pump Cylinder
60	18E340	Cylinder Cap
61	A 18E341	O-Ring
Kit A	18E155	Seal Kit

Complete
Wheel Kit



Multiton TM and J Frame



Multiton TM and J Frame

Item	Part No.	Description
1	05750211	Roll Pin
2	05759016	Roll Pin
3	91607-9	Lifting Link, 27" Wide Jack
4	05750220	Roll Pin
5	91610-9	Push Rod, 48" Forks
6	90150	Lifting Link Shaft, 27" Wide Jack
7	91605	Push Rod Axle
8	91644	Load Roller Axle
9	91626-1	Load Roller Bracket (Left)
10	18968	Washer
11	06450071	Bearing
12	91619-A-D	Load Roller Assembly, Red Ultra-Poly On Aluminum Hub W/ Bearings
	91619-A	Load Roller Assembly, Black Ultra-Poly On Steel Hub W/ Bearings
	91619-S	Load Roller Assembly, Steel W/ Bearings
	90317-A	Load Roller Assembly, Nylon W/ Bearings
	90332-A	Tandem Load Roller Assembly, Poly On Steel W/ Bearings
	GWK-TM-LW	Load Wheel Kit, (2) Black Ultra-Poly (70D), Load Roller Assemblies, W/ Bearings, Axles & Fasteners

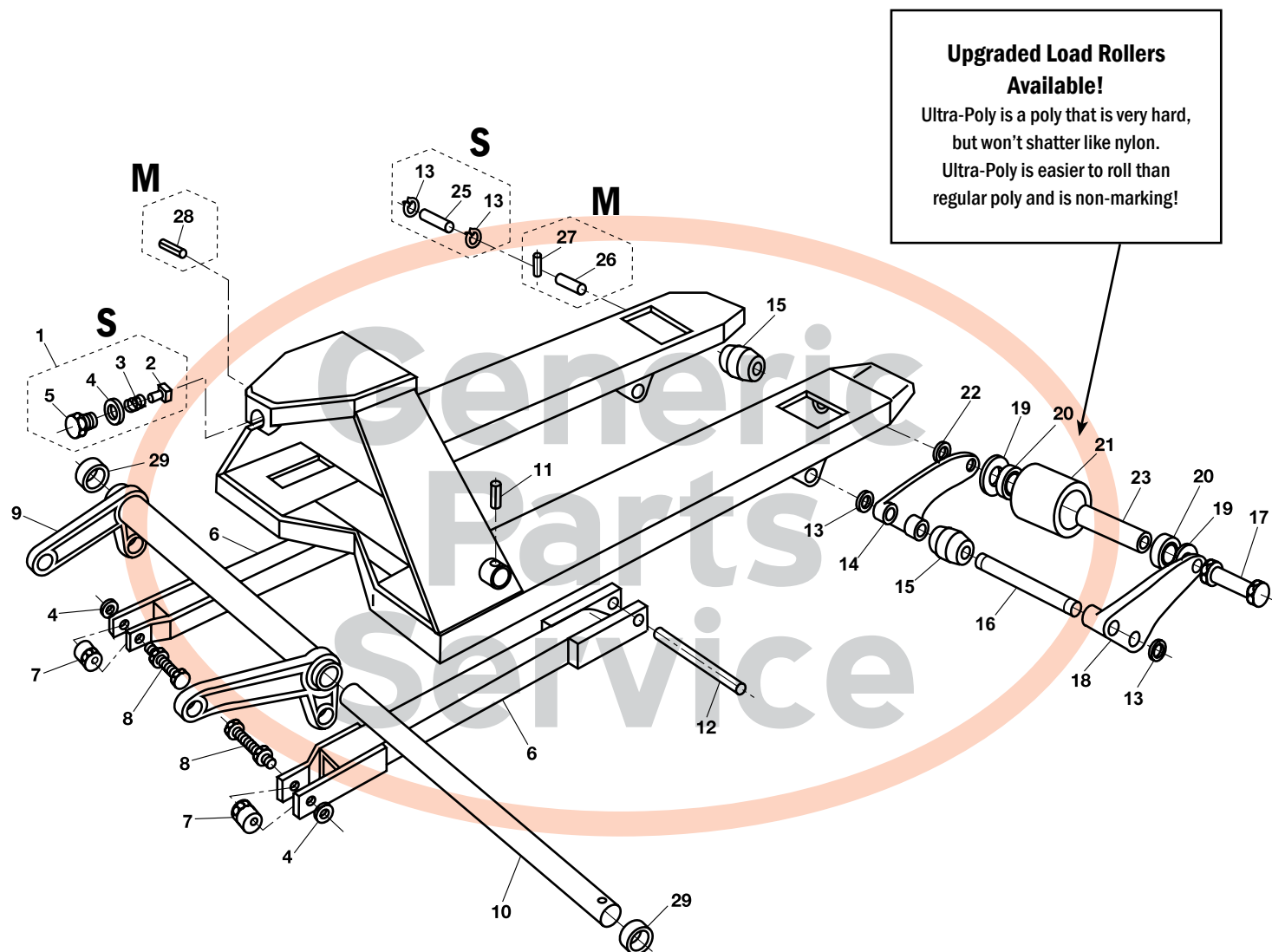
Item	Part No.	Description
13	91626-2	Load Roller Bracket (Right)
14	91604	Pivot Axle
16	95212-9	Lifting Link, 27" Wide Jack
17	200013-510	Roll Pin
18	95213	Push Rod, 48" Forks
19	95250-15	Lifting Link Shaft, 27" Wide Jack
20	0535001	Nut
21	0565005	Lock Washer
22	40197	Entry Roller
23	40196	Sleeve
24	0405012	Bolt
25	38688	Push Rod Axle
26	38686	Load Roller Axle
27	05759011	Roll Pin
28	95289	Load Roller Bracket
29	38582	Pivot Axle
30	90350	Exit Roller
	90113-A	Brake Cable Assembly (Not Shown)

Load Wheel Kit

Note:
Wheel Kit for use with Model TM only



Multiton M and S Frame



Upgraded Load Rollers Available!
Ultra-Poly is a poly that is very hard, but won't shatter like nylon. Ultra-Poly is easier to roll than regular poly and is non-marking!

Key differences:

Frame -

Model M hydraulic unit is attached to the frame with a roll pin. Model S uses a bolt and locking stud.

Entry Rollers -

Model M uses roll pins to attach the entry rollers. Model S uses snap rings.

Should a Push Rod for 48" Forks be 48" long?

No, a push rod averages 10 inches shorter than the length of the fork. For example with item 6 above, the Multiton 20208-9 push rod for 48" forks is actually about 38" long.

Multiton M and S Frame

Item	Part No.	Description
1	23126-A	Locking Stud Assembly
2	23126	Locking Stud
3	20440	Spring
4	0560002	Lock Washer
5	23125	Bolt
6	20208-9	Push Rod, 48" Forks
7	20204	Eccentric
8	190070	Bolt and Nut
9	20639-20	Lifting Link, 20" Wide Jack
	20639-27	Lifting Link, 27" Wide Jack
10	90150	Lifting Link Shaft, 27" Wide Jack
11	05759016	Roll Pin
12	19991	Push Rod Axle
13	06259059	Snap Ring
14	20163-11	Load Roller Bracket (Left)
15	90350	Entry Roller
16	19994	Pivot Axle
17	190076	Axle Bolt and Lock Nut
18	20163-12	Load Roller Bracket (Right)
19	18968	Washer

Item	Part No.	Description
20	06450071	Bearing
21	325-P-D	Load Roller Assembly, Red Ultra-Poly On Aluminum Hub W/ Sleeve, Bearings and Washers
	325-P	Load Roller Assembly, Black Ultra-Poly On Steel Hub W/ Sleeve, Bearings and Washers
	90320	Load Roller Assembly, Nylon W/ Sleeve, Bearings and Washers
	325-S	Load Roller Assembly, Steel W/ Sleeve, Bearings and Washers
	325-TP	Tandem Load Roller Assembly, Poly On Steel W/ Bearings
22	0560002	Lock Washer
23	41118	Sleeve (Single)
	20724	Sleeve (Tandem)
25	20260	Pin
26	25172	Pin
27	192117	Roll Pin
28	05750211	Roll Pin
29	90152-11	Bushing

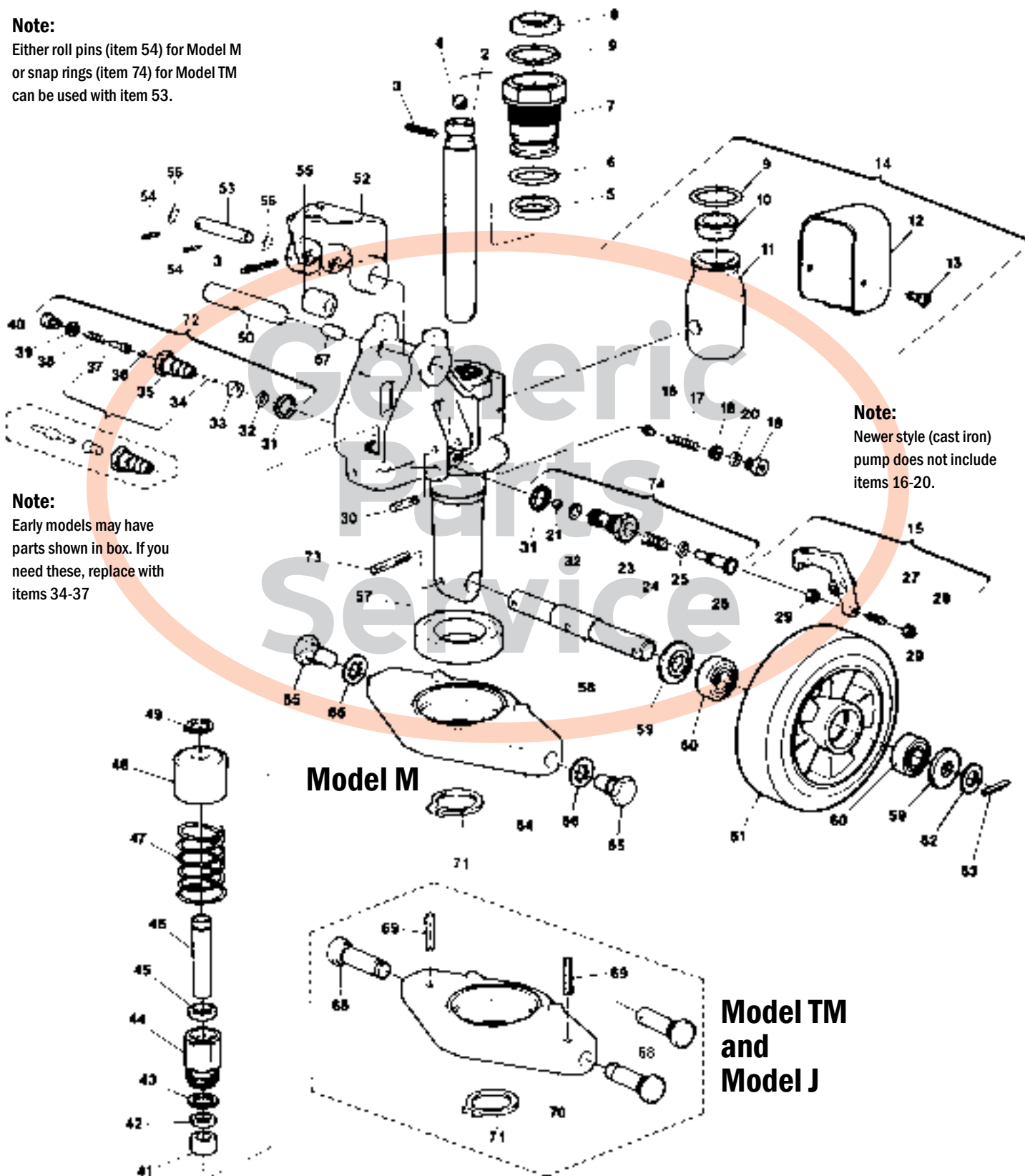
Multiton TM, M & J Hand Control Hydraulic Unit

Note:

Either roll pins (item 54) for Model M or snap rings (item 74) for Model TM can be used with item 53.

Note:

Early models may have parts shown in box. If you need these, replace with items 34-37



Note:
Newer style (cast iron) pump does not include items 16-20.

Model M

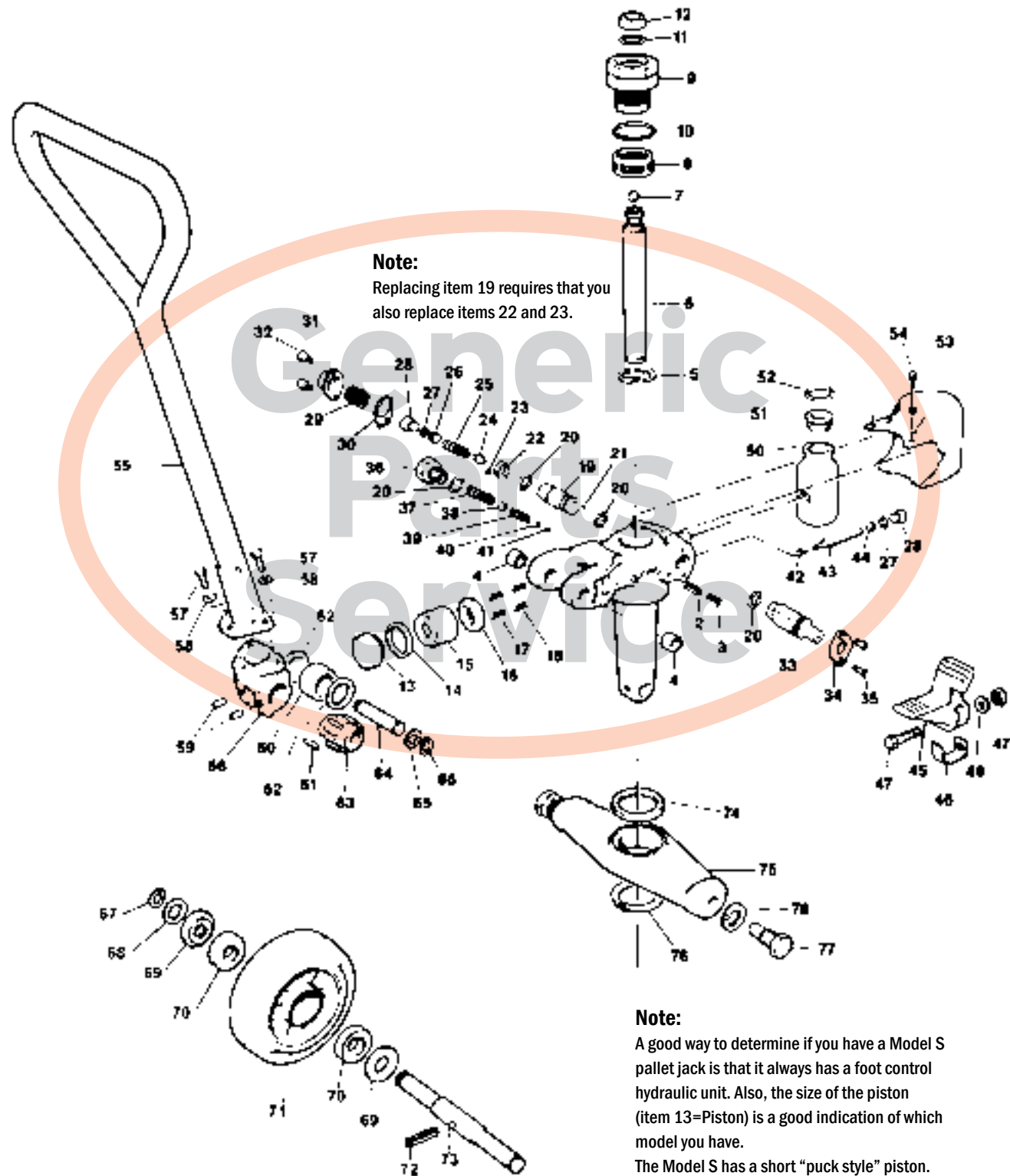
Model TM and Model J

Multiton TM, M & J Hand Control Hydraulic Unit

Item	Part No.	Description
2	39879	Ram
3	05750211	Roll Pin
4	06750071	Ball
5 A B C	200059-310	U-Cup
6 A B C	200059-500	O-Ring
7	39775	Top Nut
8 A B C	200059-440	Scraper
9 A B C	101003	O-Ring
10 A B	21675	Filler Plug
11 A B	21660	Reservoir
12 A	38630	Cowling
13 A B	04459023	Screw
14	21660-A	Reservoir Assembly
15	40160	Activator
16 A	39002	Valve
17 A	39005	Spring
18	39004	Adjusting Screw
19	200059-420	Screw Plug
20 A B C	80008	O-Ring
21 A	820209	Ball
23	39928	Release Valve Body
24 A	39940	Spring
25 A B C	200059-550	O-Ring
26	39926	Release Pin
27	52684	Release Lever
28	200061-110	Adjusting Screw
29	80180	Nut
30	200013-760	Roll Pin
31 B C	200023-600	Washer
32 A B C	200059-540	O-Ring
33	40725	Spring
34	200059-400	Valve Pin
35	39929	Valve Body
36 A	820206	Ball
37	39927	Spring Guide
38 A	39939	Spring
39 A B C	100919	Washer
40	39153	Screw Plug
41	39778	Bushing
42 A B C	200059-460	U-Cup
43 A B C	39777	Washer
44	39773	Pump Cylinder
45 A B C	200059-450	Scraper
46	39806	Piston

Item	Part No.	Description
47	38972	Spring
48	38977	Spring Cap
49 A B C	820493	Snap Ring
50	40057	Handle Pin
52	91206	Bracket Assembly
53	38613	Shaft
54	05759015	Roll Pin
55	38614	Roller
56 A B	06259051	Snap Ring
57	06450077	Traverse Bearing
58	90109	Steer Wheel Axle
59	18968	Washer
60	06450071	Bearing
61	90100-01-P-HD	Steer Wheel Assembly, Red Ultra-Poly On Aluminum Hub W/ Bearings
	90164-ST	Steer Wheel Assembly, Poly On Nylon Hub W/ Bearings
	90163	Steer Wheel Assembly, Nylon W/ Bearings
	90100-01-S	Steer Wheel Assembly, Steel W/ Bearings
	GWK-TM-CK	Complete Wheel Kit, (2) Ultra-Poly Load Roller Assemblies (70D), (2) Poly Steer Wheel Assemblies, W/ Bearings, Axles & Fasteners
62	21353	Washer
63	0575001	Roll Pin
64	40948	Traverse (M Model)
65	20218	Shoulder Bolt
66	05659038	Lock Washer
67	200059-150	Bushing
68	05250181	Shoulder Pin Set
69	05750213	Roll Pin Set
70	90032-11	Traverse
	40089	Traverse
71	06259058	Snap Ring
72	43026	Valve Assembly
73	05759018	Roll Pin
74	43027	Plunger Assembly
KITS A	200064-901-SUPER	Super Seal Kit
KITS B	200064-901	Seal Kit
KITS C	74701-SLIM	Slim Seal Kit
	HU MU 40146X	Rebuilt Hydraulic Unit - Exchange
	40146X-AM	New After-Market Replacement Pump

Multiton S Foot Control Hydraulic Unit

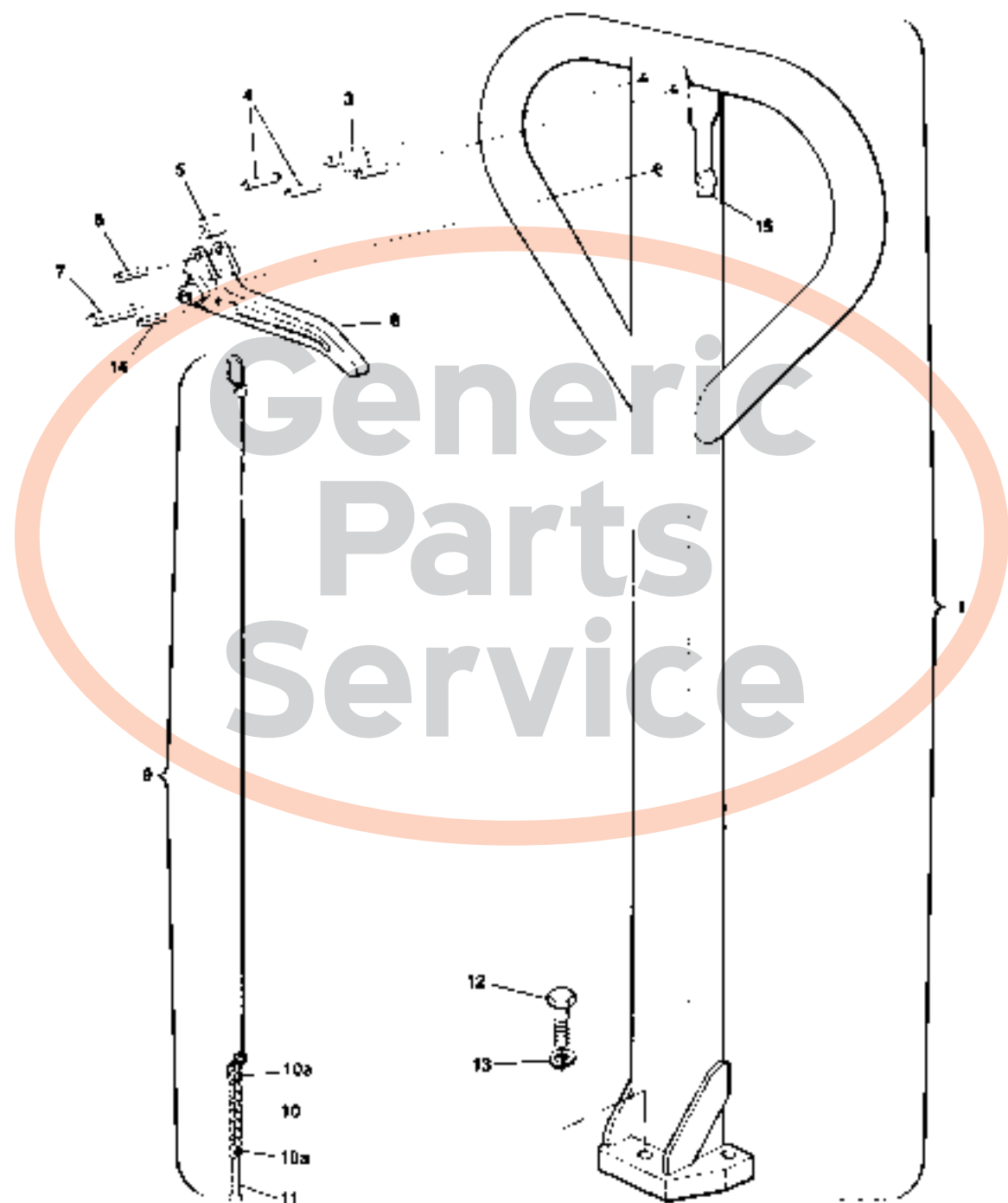


Multiton S Foot Control Hydraulic Unit

Item	Part No.	Description
2	192151	Roll Pin
3	192125	Roll Pin
4	23163	Bushing
5	820620	Locking Ring
6	20178	Ram
7	06750071	Ball
8	20599	Filter
9	20179	Top Nut
10	A B 100975	O-Ring
11	A B 102176	O-Ring
12	A B 20369	Scraper
13	26382	Piston
14	A B 26381	Seal
15	A B 20238	Diaphragm
16	20174	Washer
17	A 3647	Spring
18	A 20594	Spring
19	19740	Valve
20	A B 100997	O-Ring
21	A 820207	Ball
22	20597	Spring Clip
23	190953	Rivet
24	19744	Valve
25	A 19750	Spring
26	19745	Set Screw
27	A B 100988	O-Ring
28	21573	Screw Plug
29	19349	Spring
30	20387	Locking Ring
31	20194	Cover
32	190691	Bolt
33	20177	Pedal Shaft
34	20193	Shaft Lock
35	190906	Screw
36	20200	Screw Plug
37	A 20188	Spring
38	A 820215	Ball
39	A 19350	Spring
40	A 820212	Ball
41	A 820206	Ball
42	20377	Spring
43	20175	Cam
44	A 820209	Ball
45	20191	Pedal
46	20595	Spring

Item	Part No.	Description
47	190049	Bolt and Nut
48	0565005	Lock Washer
50	A 21660	Reservoir
51	A 21675	Filler Plug
52	A B 101003	O-Ring
53	20245	Cowling
54	A B 04459023	Screw
55	39294	Handle Frame
56	19819	Handle Bracket
57	04059078	Bolt
58	192302	Lock Washer
59	19812	Pin
60	36591	Bearing Sleeve
61	80675	Bearing Needle (45 Needles Required)
62	36592	Washer
63	21352	Eccentric
64	21351	Handle Pin
65	21353	Washer
66	A B 820495	Snap Ring
67	A 06259060	Snap Ring
68	35681	Washer
69	20301	Washer
70	820018	Bearing
71	800-P-HD	Steer Wheel Assembly, Red Ultra-Poly On Aluminum Hub W/ Bearings
	800-P-ST	Steer Wheel Assembly, Poly On Nylon Hub W/ Bearings
	800-N	Steer Wheel Assembly, Nylon W/ Bearings
	800-S	Steer Wheel Assembly, Steel W/ Bearings
72	05759018	Roll Pin
73	20231	Axle
74	28087	Traverse Bearing
75	28086	Traverse
76	06259058	Snap Ring
77	20218	Shoulder Bolt
78	05659038	Lock Washer
KITS	A 21719	Seal Kit
KITS	B 21719-SLIM	Slim Seal Kit

Multiton TM, M and J Handle

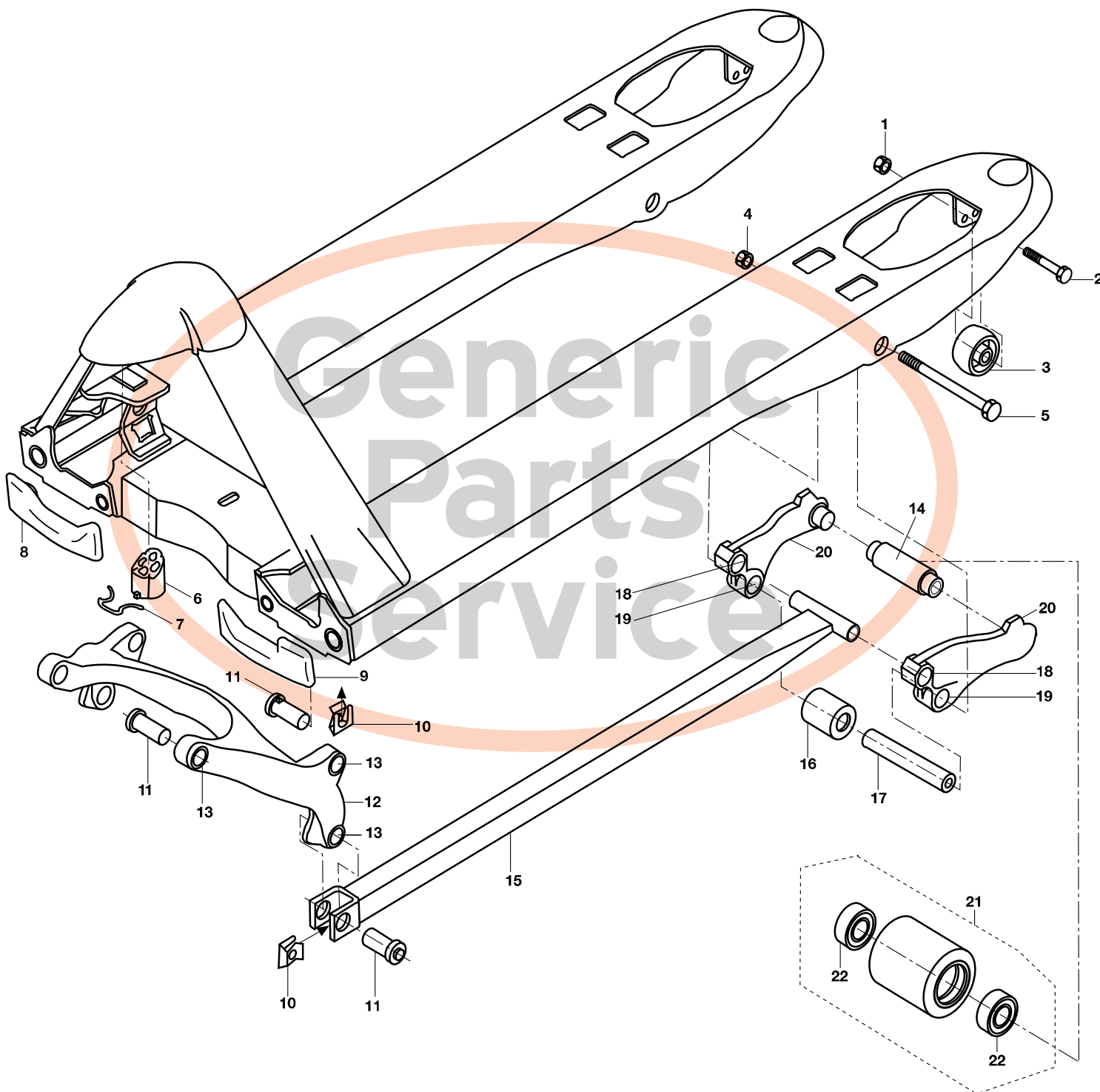


Multiton TM, M and J Handle

Item	Part No.	Description
1	38587-HD	Handle Assembly, Complete
3	38597	Handle Spring
4	0575901	Roll Pin
5	38596	Cam
6	05759015	Roll Pin
7	05759016	Roll Pin
8	40128	Control Lever
9	90144	Control Rod and Chain Assembly

Item	Part No.	Description
10	40794-001B	Chain
10a	38599-001	Master Link
11	90181	Chain Connector
12	04059078	Bolt
13	192182	Lock Washer
14	05759019	Roll Pin
15	901900-001	Rubber Cushion

Multiton TM 55 Frame



Multiton TM 55 Frame

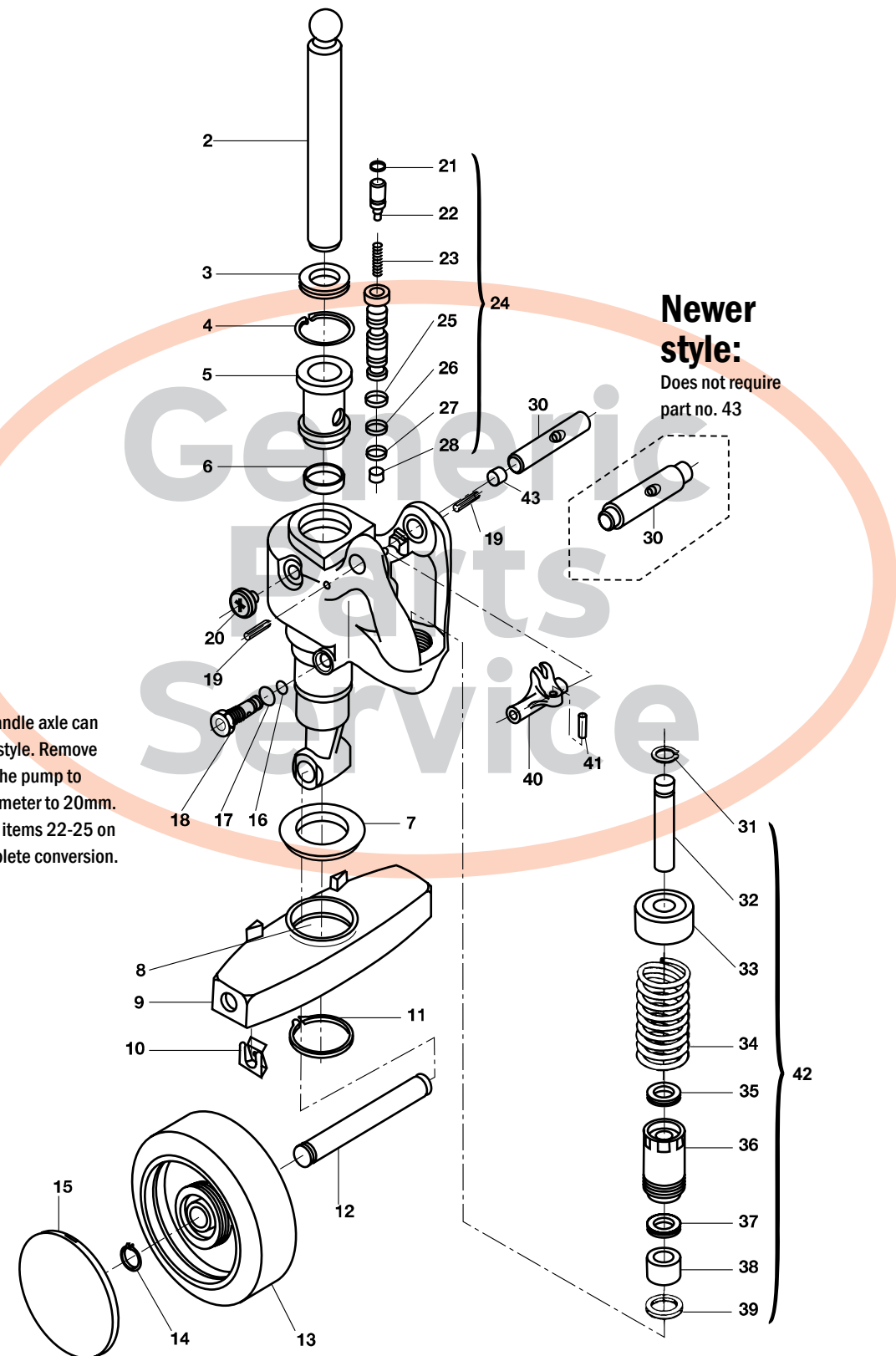
Item	Part No.	Description
1	200067160	Lock Nut
2	080590000	Hex Head Screw
3	090000000	Entry Roller
4	080211000	Hex Head Nut
5	200178430	Exit Roller Bolt
6	090125002	Head Insert for Ram
7	090126000	Head Insert Clip
8	090227012	Bumper Plate Left, Red
	090227002	Bumper Plate Left, Grey
9	090227011	Bumper Plate Right, Red
	090227001	Bumper Plate Right, Grey
10	090129000	Clip
11	090128000	Shoulder Pin
12	090160002	Lifting Link, 27" Wide Jack
13	200004400	Bushing
14	090154001	Load Roller Axle

Item	Part No.	Description
15	090147008	Push Rod, 36" Forks
	090147011	Push Rod, 46" Forks
	090147012	Push Rod, 48" Forks
16	090156000	Exit Roller
17	090155000	Exit Roller Axle
18	200178270	Bushing, Load Roller Bracket
19	200178260	Bushing, Load Roller Bracket
20	090151021	Load Roller Bracket Assembly (Includes 18 & 19)
21	090153008	Load Roller Assembly, Black Ultra-Poly On Steel Hub W/ Bearings and Axle
	090153007	Load Roller Assembly, Nylon W/ Bearings and Axle
	090153009	Load Roller Assembly, Steel W/ Bearings and Axle
	GWK-TM55-LW	Load Wheel Kit, (2) Black Ultra-Poly (70D), Load Roller Assemblies, W/ Bearings and Axles
22	200178810	Bearing

Load Wheel Kit (Includes Item 14)



Multiton TM 55 Hydraulic Unit



Note:

The newer style handle axle can replace the older style. Remove bushing (#43) in the pump to change inside diameter to 20mm. You will also need items 22-25 on page 150 to complete conversion.

Multiton TM 55 Hydraulic Unit

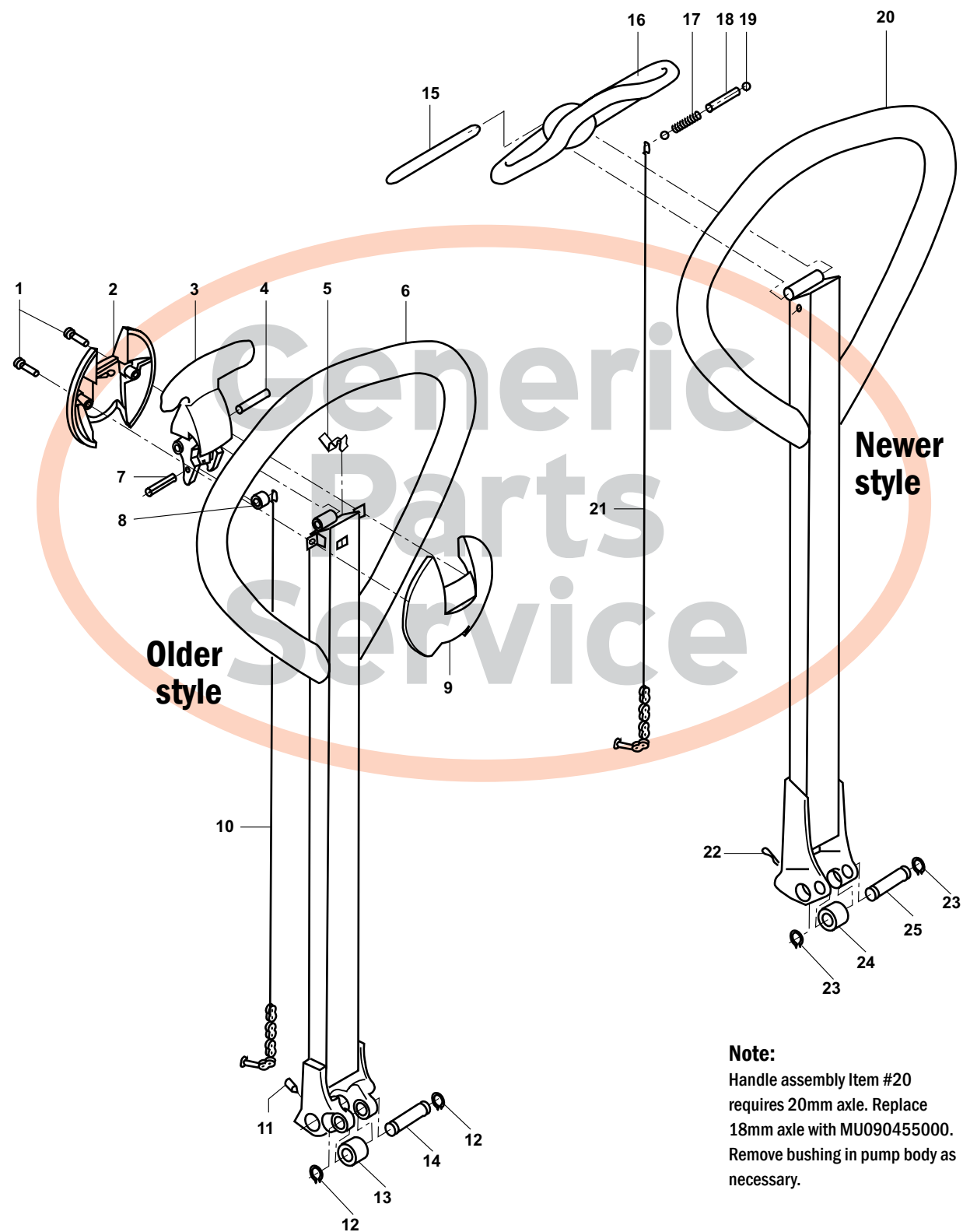
Item	Part No.	Description
2	090179000	Ram
3	A 200178500	Wiper Seal
4	200178300	Snap Ring
5	090181000	Bell
6	A 200178510	U-Cup
7	200178370	Thrust Bearing
8	200179330	Bushing
9	090184000	Traverse Assembly
10	090129000	Clip
11	200178320	Snap Ring
12	063020008	Steer Wheel Axle
13	090186000	Steer Wheel Assembly, Poly On Nylon Hub W/ Bearings
	GWK-TM55-CK	Complete Wheel Kit, (2) Ultra-Poly Load Roller Assemblies (70D), (2) Poly Steer Wheel Assemblies, W/ Bearings, Axles & Fasteners
14	820495000	Snap Ring
15	090189002	Steer Wheel Hub Cap (OEM Wheel Only)
	090189002-1	Steer Wheel Hub Cap (GPS Wheel Only)
16	A 200178560	O-Ring
17	A 200178550	O-Ring
18	090175001	Flow Valve Assembly
19	200013620	Split Pin
20	090183000	Fluid Plug
21	A 080008000	O-Ring

Item	Part No.	Description
22	090170000	Plunger
23	090172000	Spring
24	090169000	Piston Valve Assembly
25	A 200178520	O-Ring
26	A 200178530	O-Ring
27	A 200178540	O-Ring
28	040725000	Spring
30	090127000	Handle Axle (18mm, Older Style)
	090455000	Handle Axle (20mm, Newer Style)
31	820493000	Snap Ring
32	090166000	Piston
33	090196000	Piston Spring Cap
34	038972000	Piston Spring
35	A 200059450	Scraper
36	090106000	Pump Cylinder
37	A 200059460	U-Cup
38	039778000	Bushing
39	A 039777000	Washer
40	090167000	Raise/Lower Activator Assembly
41	080299000	Set Screw
42	090163021	Piston Assembly
43	200178280	Bushing
KITS	A 200178730	Seal Kit
		HU MU 090163003X Rebuilt Hydraulic Unit - Exchange

Complete Wheel Kit



Multiton TM 55 Handle



Note:
Handle assembly Item #20
requires 20mm axle. Replace
18mm axle with MU090455000.
Remove bushing in pump body as
necessary.

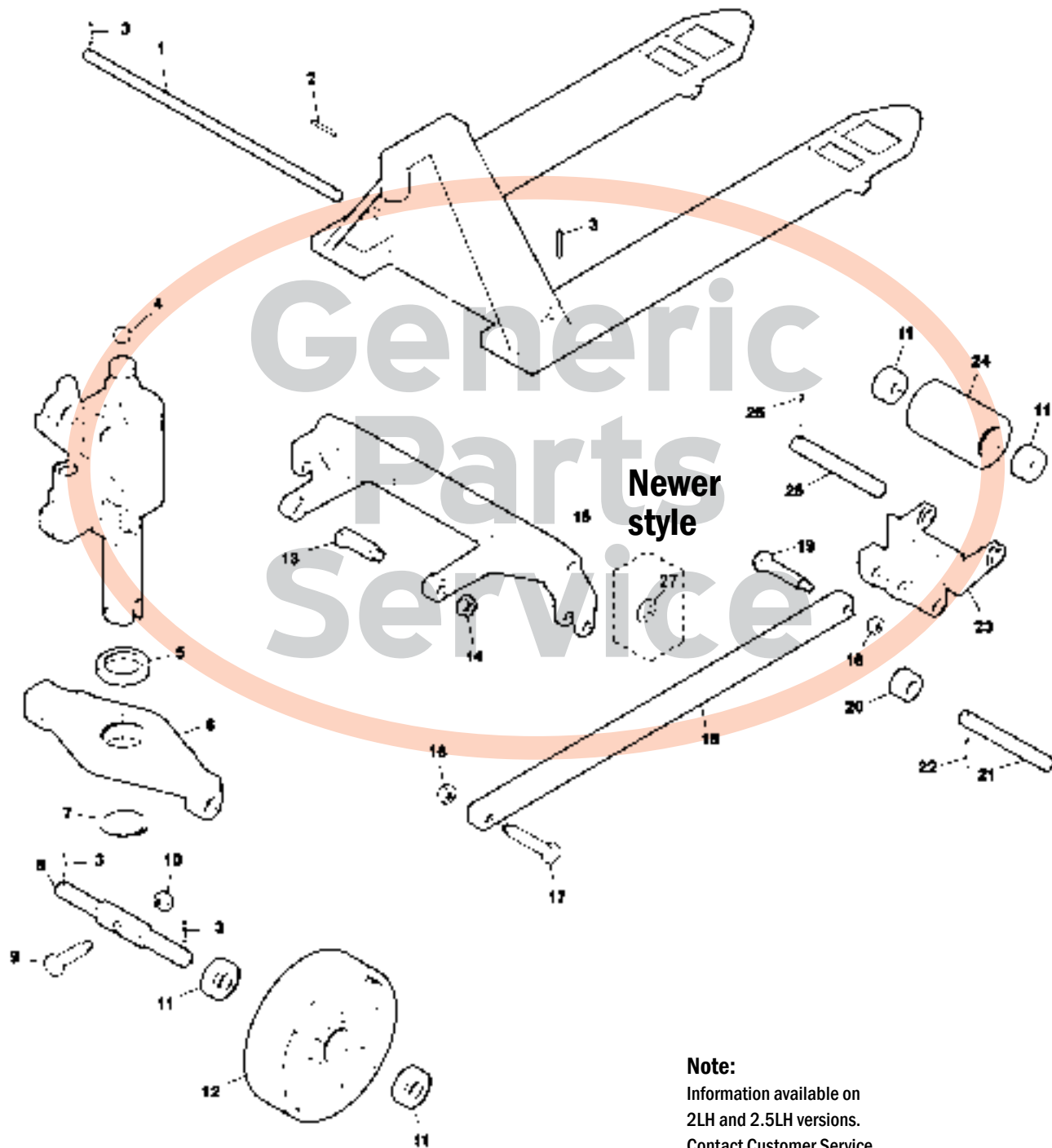
Multiton TM 55 Handle

Item	Part No.	Description
1	200178410	Screw
2	090131001	Handle Lever Cover, Yellow
	090131002	Handle Lever Cover, Grey
3	090195000	Handle Lever
4	063017008	Shaft
5	090191000	Handle Spring Clip
6	090112000	Handle Frame (Older Style)
	090478001	Handle Assembly (Older Style)
7	200178340	Split Pin
8	090190000	Cam
9	090130002	Handle Lever Cover, Yellow
	090130003	Handle Lever Cover, Grey
10	090110000	Rod and Chain
11	200178390	Set Screw
12	820487000	Snap Ring
13	038614000	Roller Cam (Older Style)
	090457010	Roller Cam (Newer Style)

Item	Part No.	Description
14	052699000	Cam Axle (Older Style)
	090455000	Cam Axle (Newer Style)
15	50424166	Lever Pin
16	50424811	Control Lever, Yellow
	50410252	Control Lever, Grey
17	50410166	Spring
18	50424168	Sleeve
19	50410235	Ball
20	50410142	Handle Assembly
21	50410215	Rod and Chain
22	50137128	Pin Clip
23	26200080	Snap Ring
24	50137111	Cam Roller
25	50137110	Cam Axle



Pallet Mule AA5000 and AA5500 Frame



Note:
Information available on 2LH and 2.5LH versions. Contact Customer Service for a parts breakdown.

Pallet Mule AA5000 and AA5500 Frame

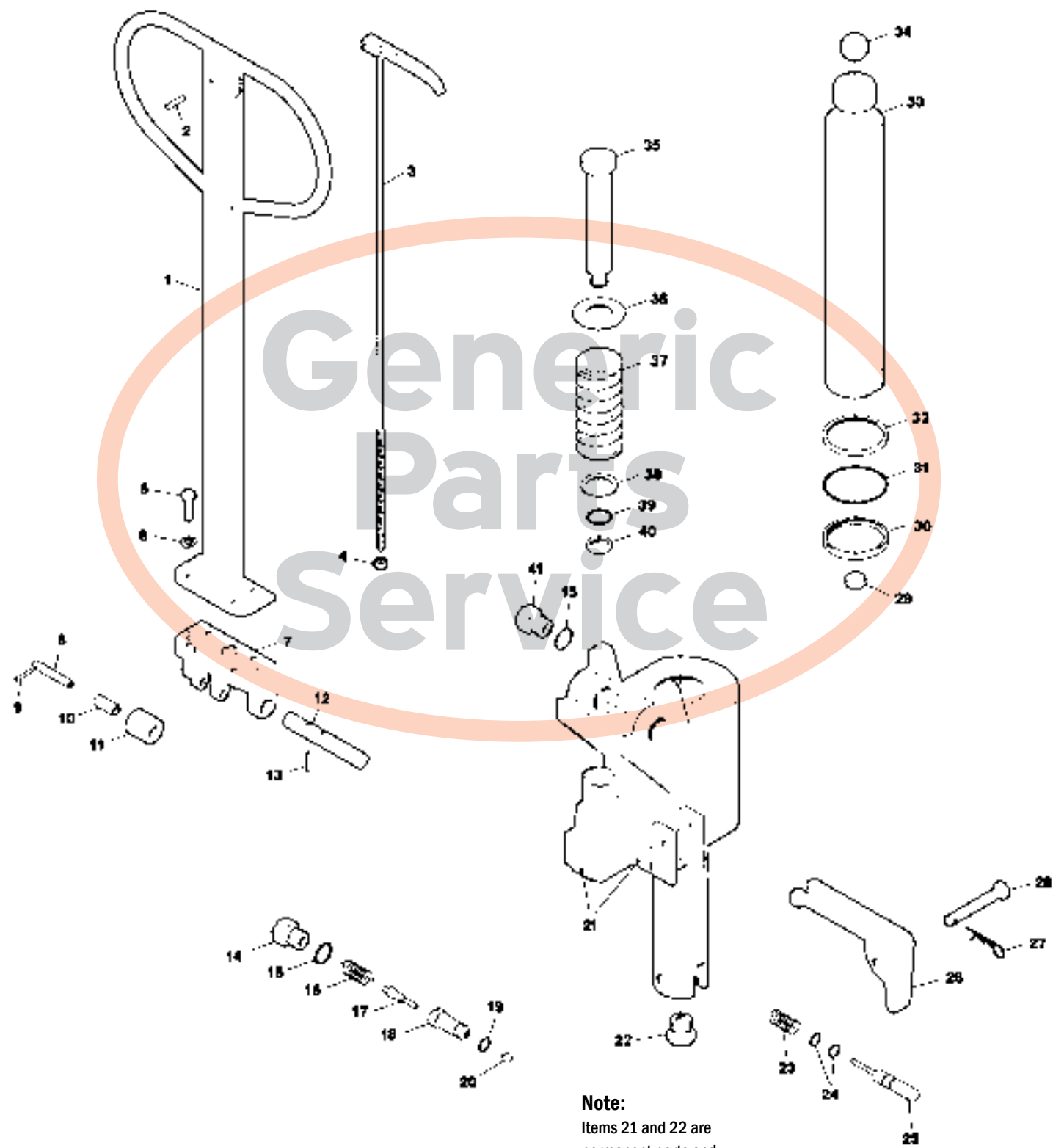
Item	Part No.	Description
1	AA-55-7	Lifting Link Shaft, 27" Wide Jack
2	AA-57	Roll Pin
3	AA-50	Roll Pin
4	AA-44	Ball
5	AA-30	Thrust Bearing
6	AA-61	Traverse
7	AA-28	Snap Ring
8	AA-46	Steer Wheel Axle
9	AA-29	Shoulder Bolt
10	AA-29N	Lock Nut
11	AA-64	Bearing
12	AA-8x2 PMWB-HD	Steer Wheel Assembly, Red Ultra-Poly On Aluminum Hub W/ Bearings
	AA-8x2 SMWB	Steer Wheel Assembly, Steel W/ Bearings
	AA-7.25x2 PMWB-HD	Steer Wheel Assembly, Red Ultra-Poly On Aluminum Hub W/ Bearings
	AA-7.25x2 PMWB-ST	Steer Wheel Assembly, Poly on Nylon Hub W/ Bearings
	AA-7.25x2	Steer Wheel Assembly, Nylon W/ Bearings
	GWK-PUAA-CK	Complete Wheel Kit, (2) Ultra-Poly Load Roller Assemblies (70D), (2) Poly Steer Wheel Assemblies, W/ Bearings, Axles & Fasteners
13	AA-36	Shoulder Bolt
14	AA-39	Nut
15	AA-53-7	Lifting Link, 27" Wide Jack

Item	Part No.	Description
16	AA-51	Lock Nut
17	AA-60	Bolt
18	AA-58-36	Push Rod, 36" Forks
	AA-58-42	Push Rod, 42" Forks
	AA-58-48	Push Rod, 48" Forks
	AA-58-2.9	Push Rod, 48" Forks, 2.9" Lowered Height
19	AA-74	Bolt
20	AA-52	Exit Roller
	AA-52-2.9	Exit Roller, 2.9" Lowered Height
21	AA-62	Pivot Axle
	AA-62-2.9	Pivot Axle, 2.9" Lowered Height
22	AA-63	Roll Pin
23	AA-59	Load Roller Bracket
	AA-59-2.9	Load Roller Bracket, 2.9" Lowered Height
24	AA-3x4 PMWB	Load Roller Assembly, Black Ultra-Poly On Steel Hub W/ Bearings
	AA-3x4 SMWB	Load Roller Assembly, Steel W/ Bearings
	AA-2.875x4 PMWB	Load Roller Assembly, Black Ultra-Poly On Steel Hub W/ Bearings, 2.9" Lowered Height
	AA-2.875x4 PMWB-N	Load Roller Assembly, Nylon W/ Bearings
	GWK-PUAA-LW	Load Wheel Kit, (2) Black Ultra-Poly (70D), Load Roller Assemblies, W/ Bearings, Axles & Fasteners
25	AA-66	Load Roller Axle
26	AA-67	Cotter Pin
27	AA-3/4	Washer

Load Wheel Kit



Pallet Mule AA5000 and AA5500 Hyd. Unit



Note:
Items 21 and 22 are permanent parts and are not intended to be removed.

Pallet Mule AA5000 and AA5500 Hyd. Unit

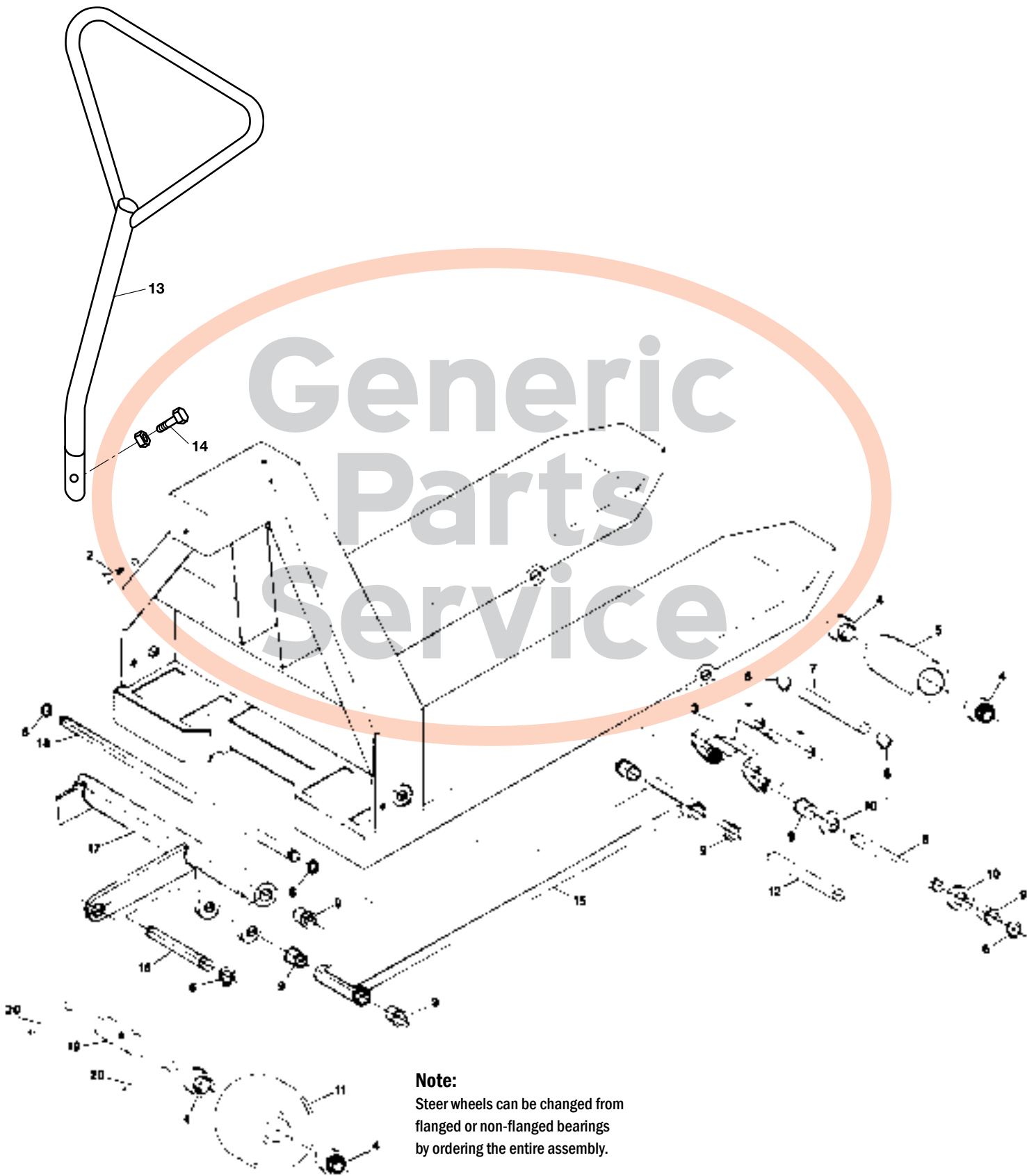
Item	Part No.	Description
1	AA-68-Complete	Handle Assembly, Complete (Includes Items 1-4)
2	AA-70	Roll Pin
3	AA-69	Control Lever, Rod and Chain
4	AA-73	Adjusting Nut
5	AA-22	Bolt
6	AA-24	Lock Washer
7	AA-23-Complete	Handle Bracket Assembly (Includes Items 8 through 11)
8	AA-11	Pin
9	AA-12	Roll Pin
10	AA-10	Bushing
11	AA-09	Roller
12	AA-21	Pin
13	AA-20	Roll Pin
14	AA-14	Screw Plug
15	A AA-41	O-Ring
16	A AA-15	Spring
17	AA-16	Valve Cone
18	AA-17	Valve Cone Housing
19	A AA-18	O-Ring
20	A AA-19	Ball
21	Not Available	Plug (Not To Be Removed)
22	Not Available	Plug (Not To Be Removed)

Item	Part No.	Description
23	A AA-31	Spring
24	A AA-32	O-Ring
25	AA-34	Plunger
26	AA-35	Release Lever
27	AA-27	Clip Pin
28	AA-26	Pin
29	AA-38	Magnet
30	A AA-43	U-Cup
31	A AA-40	O-Ring
32	A AA-37	Scraper
33	AA-45	Ram
34	AA-44	Ball
35	AA-02.3	Piston
36	AA-03.3	Washer
37	AA-04	Spring
38	A AA-05.3	Scraper
39	A AA-06.3	O-Ring
40	A AA-07.3	U-Cup
41	AA-25	Filler Plug
KITS	A AA-76-5000	Seal Kit
	HU PU AA5000	Rebuilt Hydraulic Unit - Exchange

Complete Wheel Kit



Palletmaster HSW Frame



Note:
Steer wheels can be changed from flanged or non-flanged bearings by ordering the entire assembly.

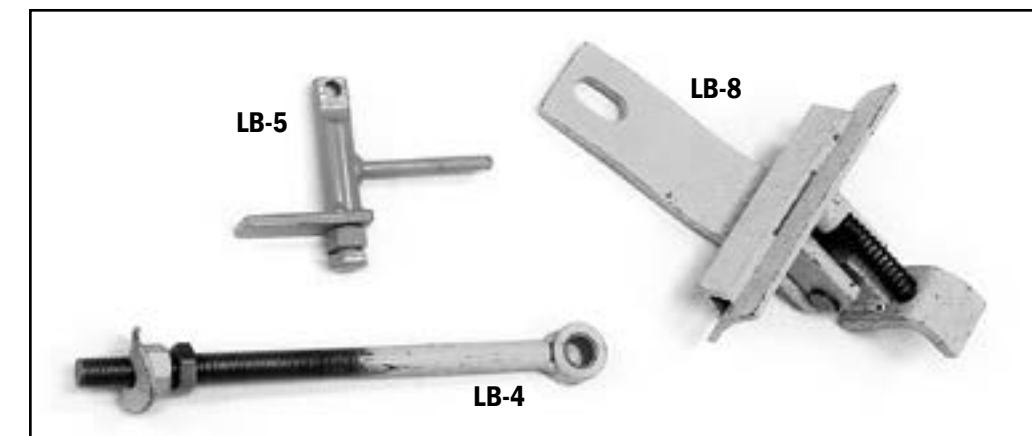
Palletmaster HSW Frame

Item	Part No.	Description
2	00.30	Screw and Washer
3	01.01	Load Roller Bracket with Bushings
4	01.03	Bearing (Newer Style, No Flange)
	01.04	Bearing (Older Style, Flanged)
5	01.05-A-D	Load Roller Assembly, Red Ultra-Poly On Aluminum Hub W/ Bearings
	01.05-A	Load Roller Assembly, Black Ultra-Poly On Steel Hub W/ Bearings
	01.05-N-A	Load Roller Assembly, Nylon W/ Bearings
	01.05-A-FB	Load Roller Assembly, Red Ultra-Poly On Aluminum Hub W/ Bearings (Flanged Bearings)
	01.05-FB	Load Roller Assembly, Black Ultra-Poly On Steel Hub W/ Bearings (Flanged Bearings)
6	01.07	Snap Ring
7	01.08	Load Roller Axle
8	01.10	Pivot Axle
9	01.11	Bushing
10	01.12	Washer
11	01.13-A-HD	Steer Wheel Assembly, Red Ultra-Poly On Aluminum Hub W/ Bearings
	01.13-A-ST	Steer Wheel Assembly, Poly On Nylon Hub W/ Bearings
	01.13-N-A	Steer Wheel Assembly, Nylon W/ Bearings
	01.13-A-FB-HD	Steer Wheel Assembly, Red Ultra-Poly On Aluminum Hub W/ Bearings (Flanged Bearings)

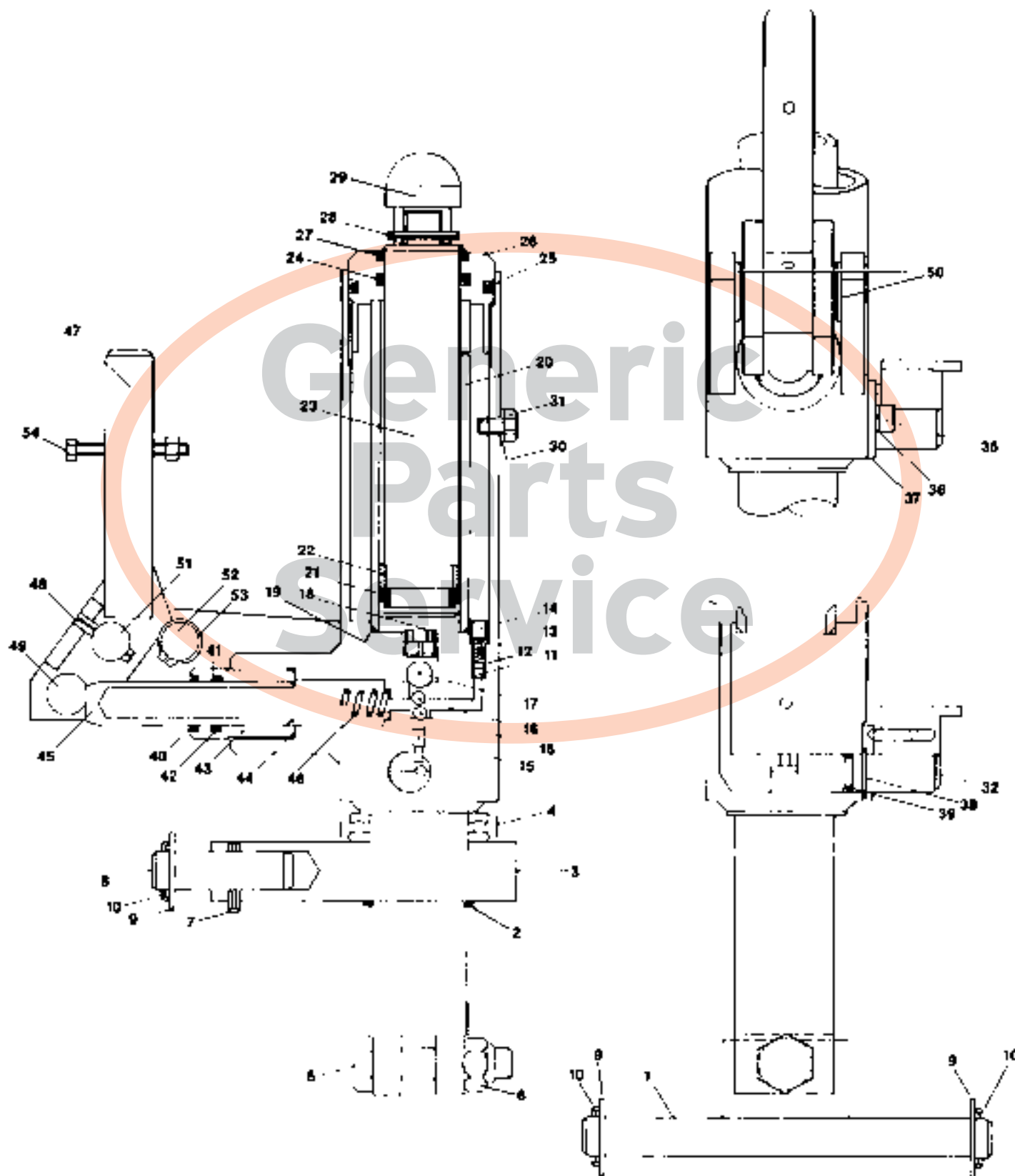
Item	Part No.	Description
12	01.14	Push Rod Axle
13	01.22	Handle
14	01.23	Handle Bolt and Nut
15	03.00	Push Rod, 48" Forks
16	03.07	Pin
17	04.00	Lifting Link, 27" Wide Jack
18	04.04	Lifting Link Shaft, 27" Wide Jack
19	A1	Steer Wheel Axle
20	A11	Roll Pin

BRAKE PARTS (Below)

LB-1	Bushing
LB-2	Mounting Pin
LB-3	Snap Ring
LB-4	Threaded Eyebolt Assembly
LB-5	Locking Lever Mounting Yoke
LB-6	Locking Lever
LB-7	Spring
LB-8	Shoe Assembly
LB-8-A	Brake Shoe
LB-8-B	Hinge Bracket
LB-8-C	Shoe Spring



Palletmaster HSW Hydraulic Unit

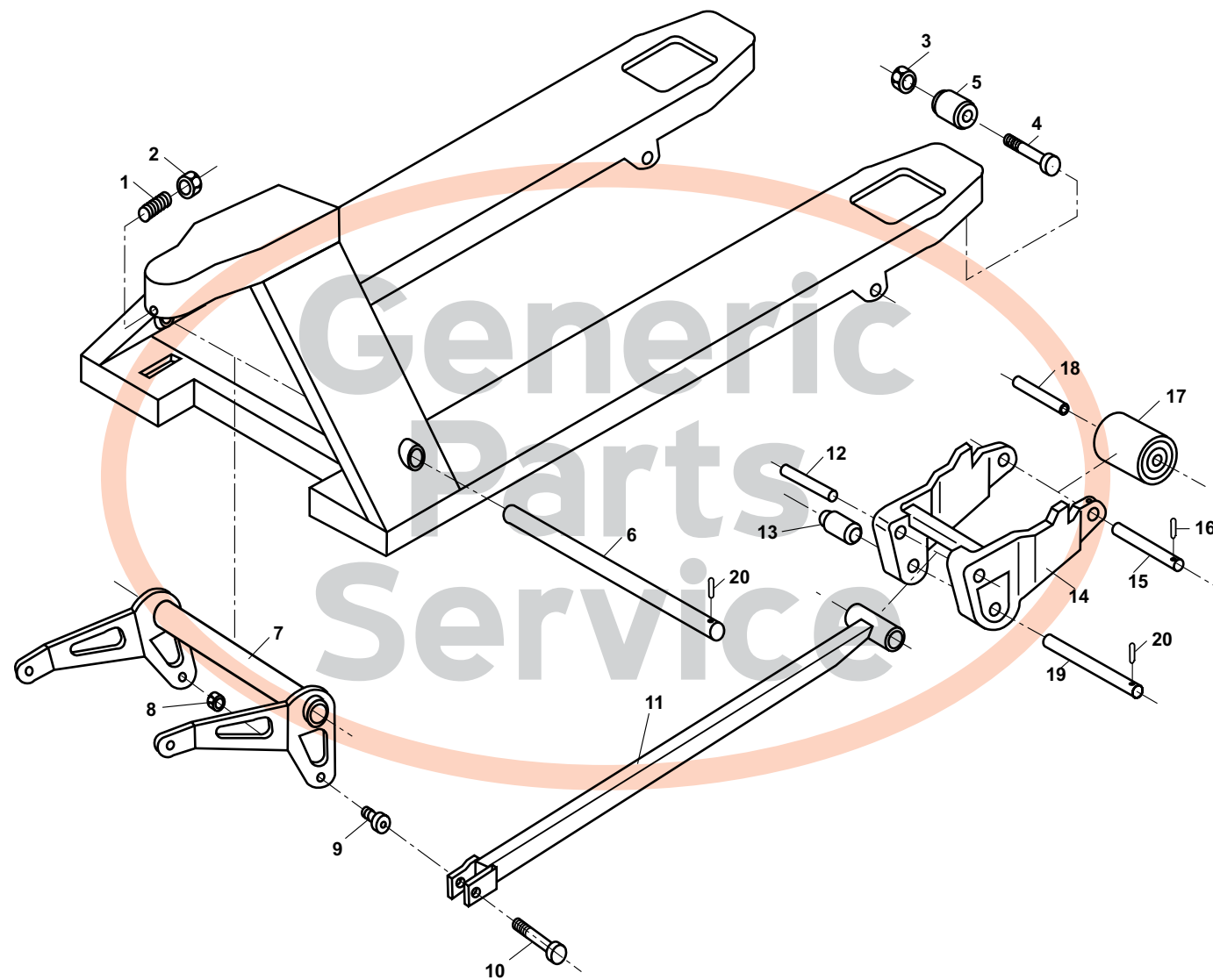


Palletmaster HSW Hydraulic Unit

Item	Part No.	Description
1	A1	Steer Wheel Axle
2	A2	Snap Ring
3	A3	Traverse
4	A4	Traverse Bearing
5	A5	Bolt
6	A6	Nut
7	A7	Roll Pin
8	A8	Pin
9	A9	Washer
10	A11	Roll Pin
11	A	L1 Ball
12	Not Available	Insert (No Longer Needed)
13	A	L2 Spring
14	L3	Relief Valve
15	A	L4 Release Pin
16	A	L5 Ball
17	A	L6 Ball
18	L7	Flow Valve
19	A B	L8 O-Ring
20	L9	Sleeve
21	A B	L10 U-Cup
22	A	L11 Bushing
23	L12	Ram (Older Style, Serial #00043 and Lower)
	L12A	Ram
24	A B	L13 O-Ring
25	A B	L14 O-Ring
26	L15	Top Nut
27	A B	L16 Scraper
28	L17	Roll Pin
29	L18	Top Pivot (Older Style, Serial #00043 and Lower)

Item	Part No.	Description
30	A B	L19 Washer
31	L20	Filler Plug
32	F1	Foot Pedal
35	F4	Bolt, 3/8"
	F4-5	Bolt, 5/16"
36	F5	Lock Washer
	F5-5	Lock Washer
37	F6	Detent Plate, 3/8"
	F6-5	Detent Plate, 5/16"
38	F7	Snap Ring
39	A B	F8 O-Ring
40	A B	P1 Scraper
41	A B	P2 Back-Up Ring
42	A B	P3 O-Ring
43	P4	Sleeve
44	A B	P5 O-Ring
45	A	P6 Piston
46	A B	P7 Spring
47	P8	Handle Bracket
48	P9	Roll Pin
49	P10	Roller
50	A B	P11 Bushing
51	P12	Pin
52	P13	Stop Shaft
53	P14	Snap Ring
54	01.23	Handle Bolt and Nut
KITS A	HSW-SUPER	Super Seal Kit
KITS B	HSW	Seal Kit
	HU PM HSW	Rebuilt Hydraulic Unit - Exchange

Pramac GS22 Frame

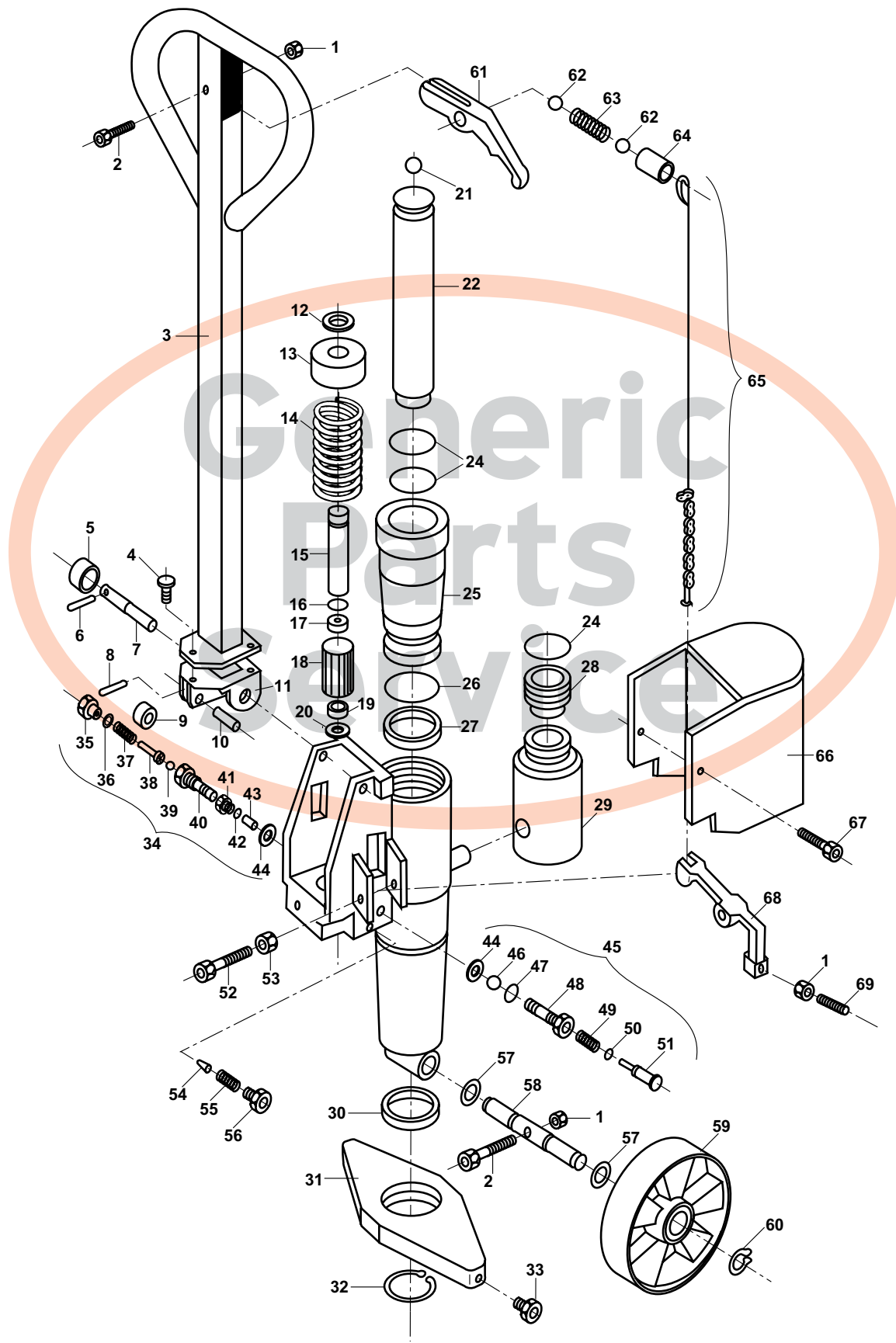


Pramac GS22 Frame

Item	Part No.	Description
1	G022307	Set Screw
2	G032308	Nut
3	G056103-N	Nut
4	G056103-B	Bolt
5	G056103	Entry Roller
6	S0003035042	Lifting Link Shaft, 27" Wide Jack
	S0003015038	Lifting Link Shaft, 20-1/2" Wide Jack
7	S0013020079	Lifting Link, 27" Wide Jack
	S0003020146	Lifting Link, 20-1/2" Wide Jack
8	G032312	Nut
9	S0003015006	Eccentric
10	G022223	Bolt

Item	Part No.	Description
11	S0012200155	Push Rod, 36" Forks
	S0012200157	Push Rod, 42" Forks
	S0012200159	Push Rod, 48" Forks
12	S0002205038	Push Rod Axle
13	G056391	Exit Roller
14	S0012201004	Load Roller Bracket
15	S0002205039	Load Roller Axle
16	G044307	Roll Pin
17	S0002010328	Load Roller Assembly, Black Ultra-Poly On Steel Hub W/ Bearings
18	S0002206023	Bushing
19	S0002205040	Pivot Axle
20	G044312	Roll Pin

Pramac GS22 Hydraulic Unit



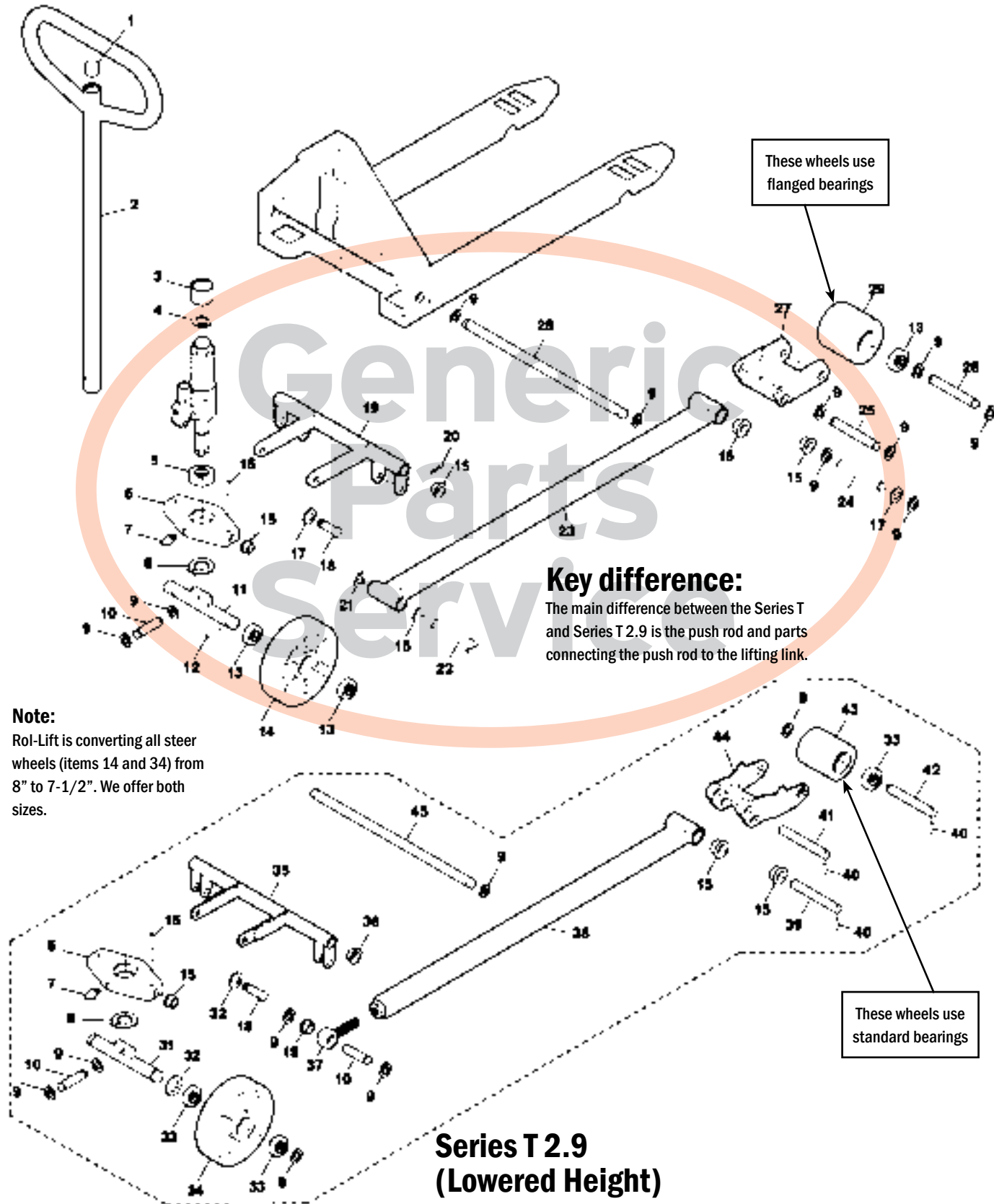
Pramac GS22 Hydraulic Unit

Item	Part No.	Description
1	G032301	Nut
2	G022006	Screw
3	S0004030243	Handle Assembly (Includes 1 - 3, 61 - 65)
4	G022112	Bolt
5	S0004018002	Bushing
6	G044309	Roll Pin
7	S0004013008	Pin
8	G044307	Roll Pin
9	S0004013001	Roller
10	S0004013002	Pin
11	004011012	Handle Bracket
12	G042501	Snap Ring
13	G09007	Spring Cap
14	G001142	Spring
15	S0014015003	Pump Piston
16 A	G095006	O-Ring
17 A	G098304	Seal
18	S0014015002	Cylinder
19	S0014018002	Nylon Bushing
20	G096006	Washer
21	G016103	Ball
22	S0004013007	Piston
24 A	G095005	O-Ring
25	P0004010467	Top Nut/Cylinder
26 A	G095004	O-Ring
27 A	G098201	Seal
28	S0004018001	Reservoir Cap
29	S0004018003	Oil Reservoir
30	G010220	Traverse Bearing
31	S0014011030	Traverse
32	G042160	Snap Ring
33	S0004015007	Shoulder Bolt
34	S0004010036	Valve Kit (includes items 35-44)
35 C	S0004015014	Cap/Plug
36 C	G096102	Washer
37 C	G001101	Spring
38 C	S0004015013	Ball Guide
39 C	G016116	Ball
40 C	S0004015012	Valve

Item	Part No.	Description
41 C	G001113	Spring Clip
42 AC	G095003	O-Ring
43 C	G016202	Pin
44 ABC	G096201	Washer
45 B	S0004010035	Relief Valve Kit (includes items 44-51)
46 B	G016104	Ball
47 B	G095003	O-Ring
48 B	S0004015010	Valve Seat
49 B	G001102	Spring
50 AB	G095002	O-Ring
51 B	S0004015011	Valve Plunger
52	G022220	Bolt
53	G034401	Nut
54	S0004015008	Cone
55	G001104	Spring
56	G022501	Screw
57	G091101	Washer
58	S0004015015	Steer Wheel Axle
59	S0014010028-HD	Steer Wheel Assembly, Red Ultra-Poly On Aluminum Hub W/ Bearings
	S0014010028-ST	Steer Wheel Assembly, Poly On Nylon Hub W/ Bearings
	S000401066	Steer Wheel Assembly, Nylon W/ Bearings
60	G042120	Snap Ring
61	S0004018006	Control Lever
62	G016104	Ball
63	G001126	Spring
64	S0004036022	Control Lever Bushing
65	S0004010235	Control Rod and Linkage
66	S0004018005	Reservoir Guard
67	S0004018003-S	Screw
68	G01403	Pump Lever
69	G023102	Screw
KITS A	G090001	Seal Kit
KITS B	S0004010035	Seal Kit
KITS C	S0004010036	Seal Kit
	HU PC GS 22	Rebuilt Hydraulic Unit - Exchange

Rol-Lift Series T Frame

Including Series T 2.9 (Lowered Height) Jacks



Rol-Lift Series T Frame

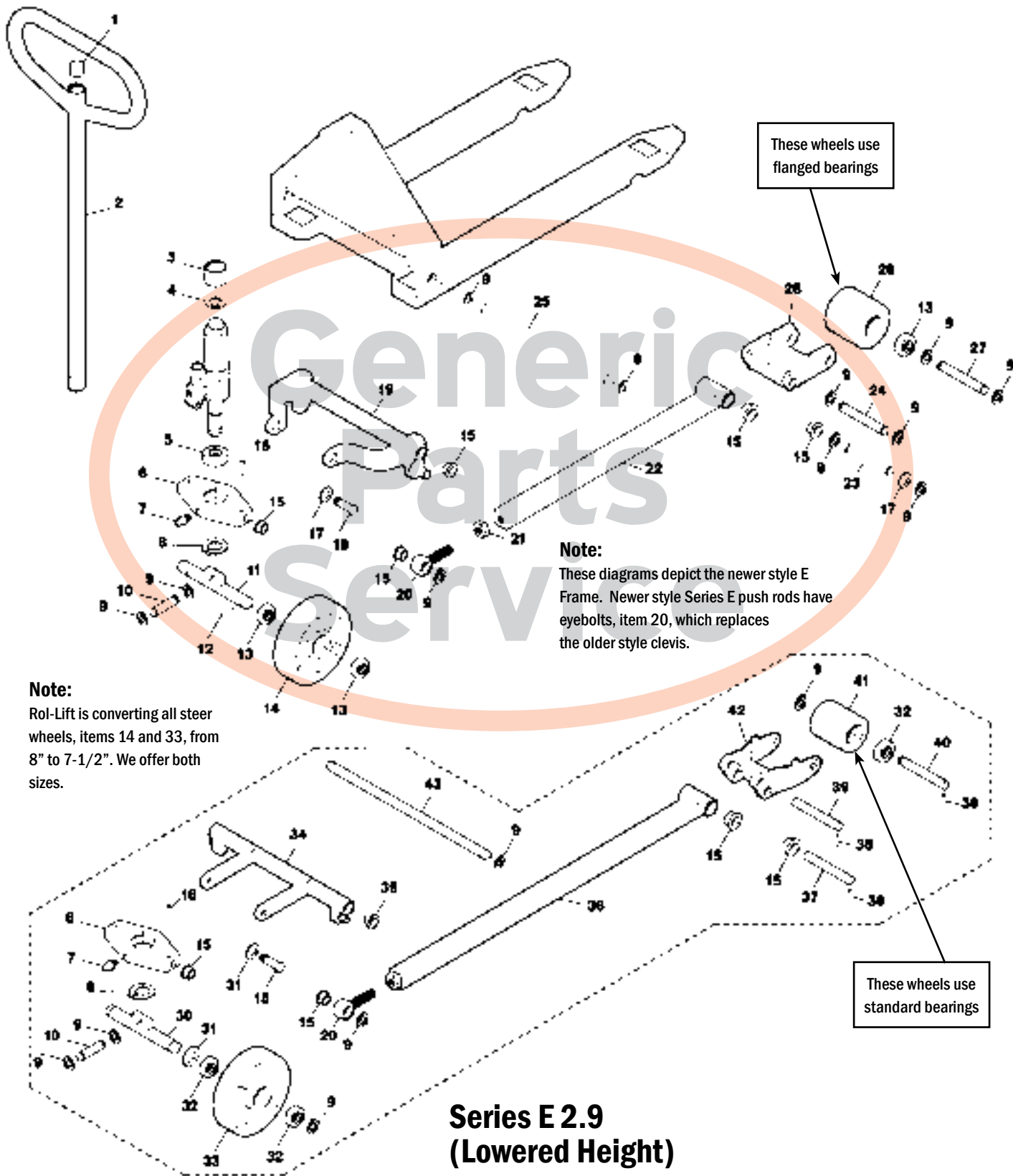
Including Series T 2.9 (Lowered Height) Jacks

Item	Part No.	Description
1	3-27137	Handle Plug
2	7-60017	Handle Frame (Foot Control Models)
3	4-00103	Bushing Weldment
4	3-11005	Snap Ring
5	3-70001	Traverse Bearing
6	4-00058	Traverse
7	1-20002	Grease Fitting
8	3-11002	Snap Ring
9	3-11003	Snap Ring (1mm Thick)
	3-11036	Snap Ring (2mm Thick)
10	KIT-5144-TPTUM	Pin with Snap Rings
11	7-60021	Steer Wheel Axle
12	3-25801-06	Roll Pin
13	3-70002	Bearing (Flanged)
	T-22-WA	Bearing (Wet Application)
14	RL-32-HD	Steer Wheel Assembly, Red Ultra-Poly On Aluminum Hub W/ Bearings, 8" Diameter, Flanged Bearings
	RL-32-N	Steer Wheel Assembly, Nylon W/ Flanged Bearings, 8" Diameter
	RL-32-S	Steer Wheel Assembly, Steel W/ Flanged Bearings, 8" Diameter
15	3-27020	Bushing, 3/4", Nylon
16	3-25800-07	Roll Pin
17	3-27021	Washer
18	4-00107	Shoulder Pin
19	7-61006-02	Lifting Link, 27" Wide Jack, 7" Wide Forks (Ear Inset 3/4")
	KIT-5037-TPTUM	Lifting Link, 27" Wide Jack, 6" Wide Forks (Ears Are Flush)
20	3-04501-05	Set Screw
21	3-11004	Snap Ring
22	4-00308	Eccentric Pin
23	7-60010-04	Push Rod, 48" Forks
24	4-61036	Pivot Axle, 7" Wide Forks
	4-00102	Pivot Axle, 6" Wide Forks
25	4-61095	Push Rod Axle, 7" Wide Forks
	4-00101	Push Rod Axle, 6" Wide Forks
26	4-00100	Load Roller Axle
27	7-61005	Load Roller Bracket, 7" Wide Forks
	4-00089-HD	Load Roller Bracket, 6" Wide Forks (Heavy Duty)

Item	Part No.	Description
28	4-00117-02	Lifting Link Shaft, 27" Wide Jack
29	3-91003-A-D	Load Roller Assembly, Red Ultra-Poly On Aluminum Hub W/ 4 Flanged Bearings, 6500# Capacity
	RL-31	Load Roller Assembly, Black Ultra-Poly On Steel Hub W/ Bearings, 3-1/4" Diameter, Flanged Bearings
	RL-31-N	Load Roller Assembly, Nylon W/ Flanged Bearings, 3-1/4" Diameter
	RL-31-S	Load Roller Assembly, Steel W/ Flanged Bearings, 3-1/4" Diameter
	RL-31-3	Load Roller Assembly, Red Ultra-Poly On Aluminum Hub W/ Bearings, 3" Diameter, Flanged Bearings
	RL-31-S-3	Load Roller Assembly, Steel W/ Flanged Bearings, 3" Dia.
31	KIT-5090-TPTUM	Steer Wheel Axle Assembly (Includes item 9)
32	3-10203	Washer
33	BRG-5000-TPTUM	Bearing
34	WHL-5012-TPTUM	Steer Wheel Assembly, Poly On Nylon Hub W/ Bearings, 7-1/2" Diameter, Flanged Bearings
35	LVB-5004-TPTUM	Lifting Link, 27" Wide Jack
36	BSH-5001-TPTUM	Bushing
37	PHR-5010-TPTUM	Eye Bolt
38	PHR-5004-TPTUM	Push Rod, 48" Forks
39	PNB-5025-TPTUM	Pivot Axle, 7" Wide Forks
	PNB-5020-TPTUM	Pivot Axle, 6" Wide Forks
40	3-25801-06	Roll Pin
41	PNB-5019-TPTUM	Push Rod Axle
42	KIT-5136-TPTUM	Load Roller Axle
43	WHL-5013-TPTUM-D	Load Roller Assembly, Red Ultra-Poly On Aluminum Hub W/ Bearings, 3" Diameter, Standard Bearings
	WHL-5013-TPTUM	Load Roller Assembly, Black Ultra-Poly On Steel Hub W/ Bearings, 3" Diameter, Standard Bearings
	WHL-5010-EPTUM	Load Roller Assembly, Nylon W/ Bearings, 3" Diameter, Standard Bearings
	WHL-5013-TPTUM-S	Load Roller Assembly, Steel W/ Bearings, 3" Diameter, Standard Bearings
44	BKT-5004-TPTUM	Load Roller Bracket
45	KIT-5115-TPTUM	Lifting Link Shaft, 27" Wide Jack

Rol-Lift Series E Frame

Including Series E 2.9 (Lowered Height) Jacks



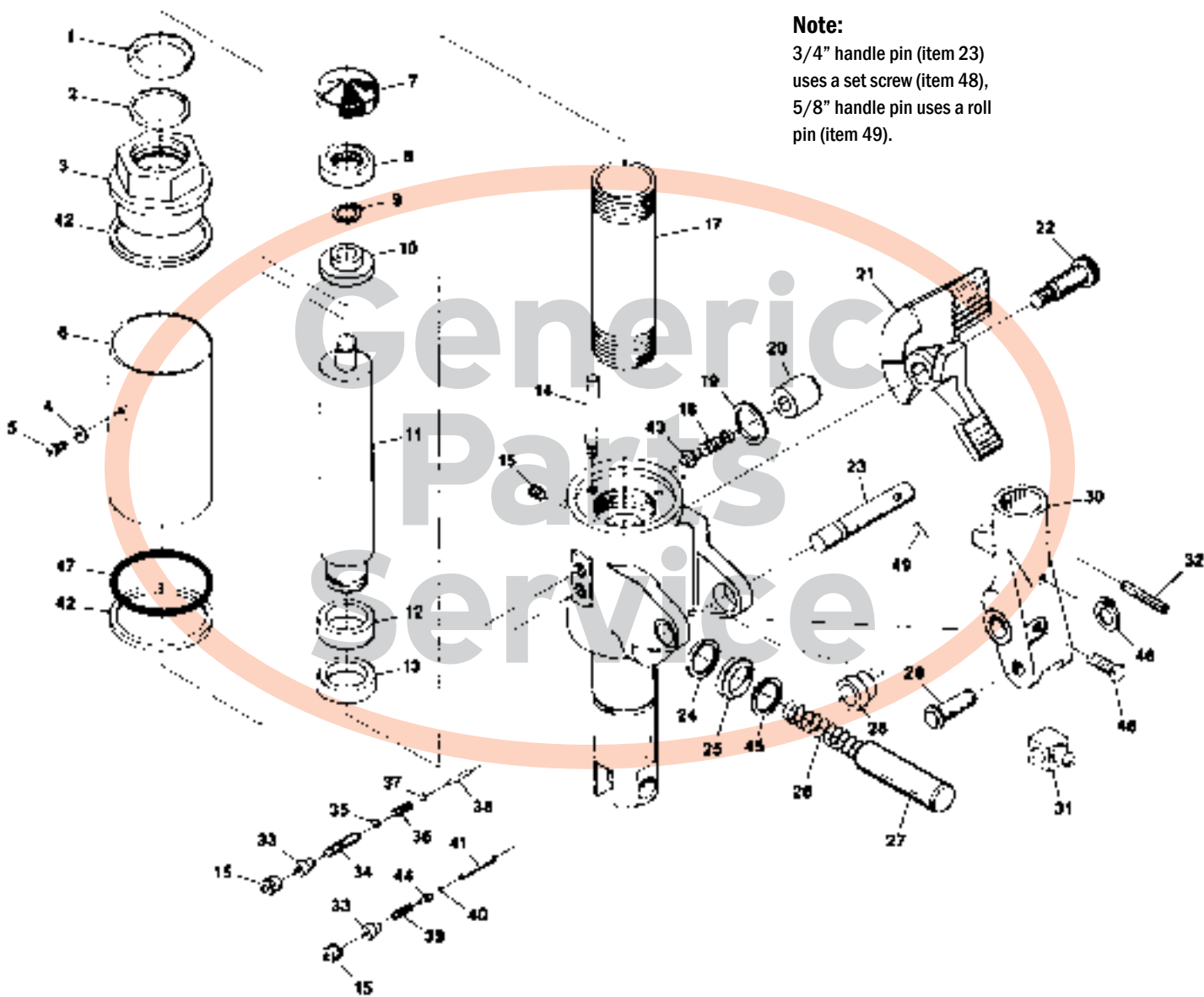
Rol-Lift Series E Frame

Including Series E 2.9 (Lowered Height) Jacks

Item	Part No.	Description
1	3-27137	Handle Plug
2	7-60017	Handle Frame (Foot Control Models)
3	4-00103	Bushing (Welded Into Frame)
4	3-11005	Snap Ring
5	3-70001	Traverse Bearing
6	4-00058	Traverse
7	1-20002	Grease Fitting
8	3-11002	Snap Ring
9	3-11003	Snap Ring
10	KIT-5144-TPTUM	Pin with Snap Rings
11	7-60021	Steer Wheel Axle
12	3-25801-06	Roll Pin
13	3-70002	Bearing (Flanged)
	T-22-WA	Bearing (Wet Application)
14	RL-32-HD	Steer Wheel Assembly, Red Ultra-Poly On Aluminum Hub W/ Bearings, 8" Diameter, Flanged Bearings
	RL-32-N	Steer Wheel Assembly, Nylon W/ Flanged Bearings, 8" Diameter
	RL-32-S	Steer Wheel Assembly, Steel W/ Flanged Bearings, 8" Diameter
15	3-27020	Bushing, 3/4", Nylon
16	3-25800-07	Roll Pin
17	3-27021	Washer
18	4-00107	Shoulder Pin
19	8-60015-01	Lifting Link, 21" Wide Jack
	KIT-5040-TPTUM	Lifting Link, 27" Wide Jack
20	PHR-5010-TPTUM	Eye Bolt
21	3-50002	Nut
22	7-10041-03	Push Rod, 48" Forks
23	4-61036	Pivot Axle, 7" Wide Forks
	4-00102	Pivot Axle, 6" Wide Forks
24	4-00100	Push Rod Axle, 7" Wide Forks
	4-00101	Push Rod Axle, 6" Wide Forks
25	4-00106-01	Lifting Link Shaft, 27" Wide Jack
26	7-61005	Load Roller Bracket, 7" Wide Forks
	4-00089-HD	Load Roller Bracket, 6" Wide Forks (Heavy Duty)
27	4-00100	Load Roller Axle

Item	Part No.	Description
28	3-91003-A-D	Load Roller Assembly, Red Ultra-Poly On Aluminum Hub W/ 4 Flanged Bearings, 6500# Capacity
	RL-31	Load Roller Assembly, Black Ultra-Poly On Steel Hub W/ Bearings, 3-1/4" Diameter, Flanged Bearings
	RL-31-N	Load Roller Assembly, Nylon W/ Flanged Bearings, 3-1/4" Diameter
	RL-31-S	Load Roller Assembly, Steel W/ Flanged Bearings, 3-1/4" Diameter
	RL-31-3	Load Roller Assembly, Red Ultra-Poly On Aluminum Hub W/ Bearings, 3" Diameter, Flanged Bearings
	RL-31-S-3	Load Roller Assembly, Steel W/ Flanged Bearings, 3" Diameter
30	KIT-5090-TPTUM	Steer Wheel Axle Assembly
31	3-10203	Washer
32	BRG-5000-TPTUM	Bearing
33	WHL-5012-TPTUM	Steer Wheel Assembly, Poly On Nylon Hub W/ Bearings, 7-1/2" Diameter, Flanged Bearings
34	KIT-5099-EPTFM	Lifting Link, 27" Wide Jack
35	BSH-5001-TPTUM	Bushing
36	PHR-5004-TPTUM	Push Rod, 48" Forks
37	PNB-5025-TPTUM	Pivot Axle, 7" Wide Forks
	PNB-5020-TPTUM	Pivot Axle, 6" Wide Forks
38	3-25801-06	Roll Pin
39	PNB-5019-TPTUM	Push Rod Axle
40	KIT-5136-TPTUM	Load Roller Axle
41	WHL-5013-TPTUM-D	Load Roller Assembly, Red Ultra-Poly On Aluminum Hub W/ Bearings, 3" Diameter, Standard Bearings
	WHL-5013-TPTUM	Load Roller Assembly, Black Ultra-Poly On Steel Hub W/ Bearings, 3" Diameter, Standard Bearings
	WHL-5010-EPTUM	Load Roller Assembly, Nylon W/ Bearings, 3" Diameter, Standard Bearings
	WHL-5013-TPTUM-S	Load Roller Assembly, Steel W/ Bearings, 3" Diameter, Standard Bearings
42	BKT-5004-TPTUM	Load Roller Bracket
43	KIT-5127-EPTUM	Lifting Link Shaft, 27" Wide Jack

Rol-Lift Series T and E Hydraulic Unit



Note:
3/4" handle pin (item 23)
uses a set screw (item 48),
5/8" handle pin uses a roll
pin (item 49).

Valve Pins Giving You Trouble?

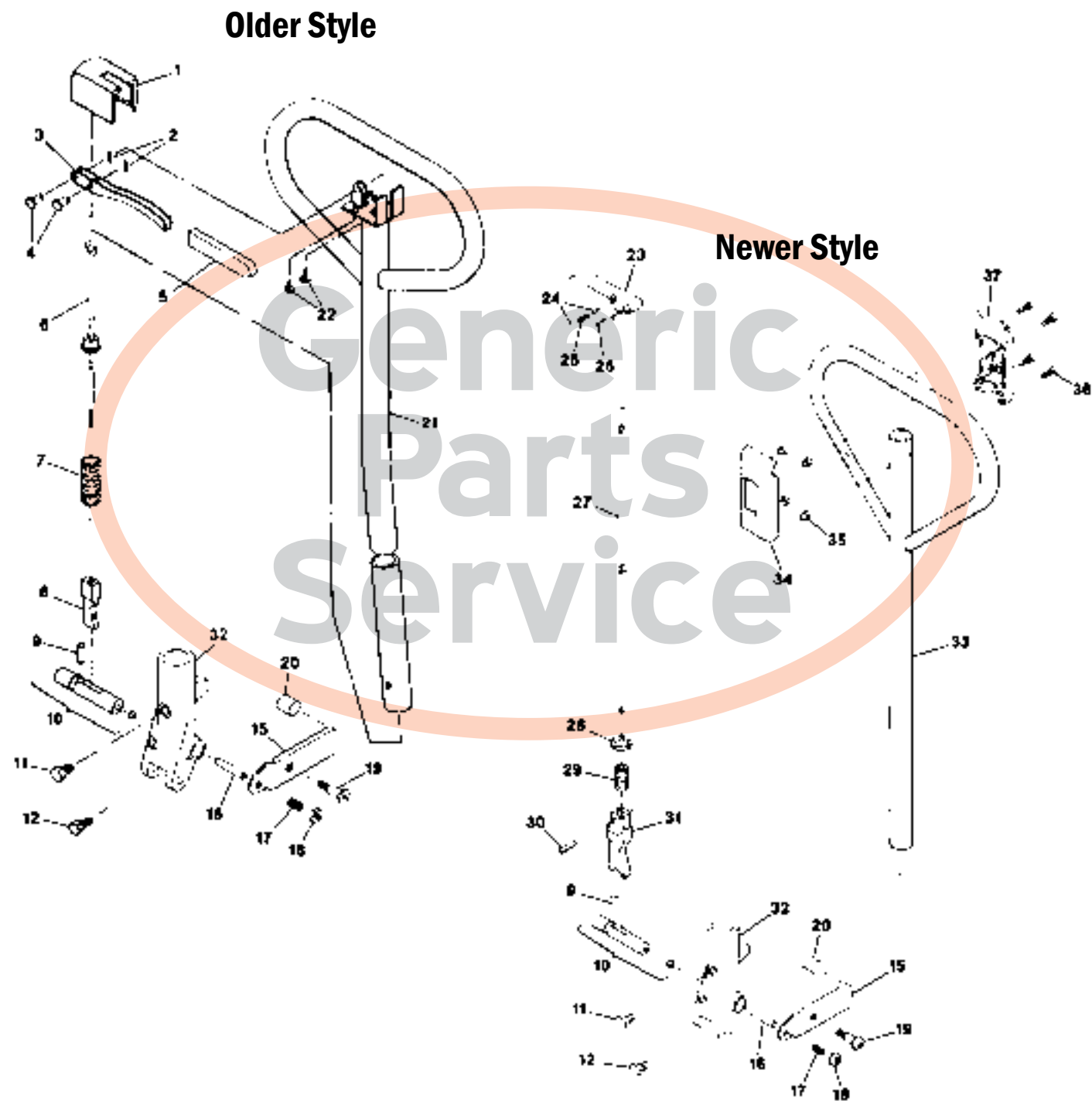
Rol-Lift upper and lower valve pins often need to be customized to fit your hydraulic unit. Call us and we will fax you a copy of the grinding procedure.

Rol-Lift Series T and E Hydraulic Unit

Item	Part No.	Description
1	AB 1A	Scraper (3000 lb)
	CDEF 1-33500	Scraper
2	AB 2A	Quad Ring (3000 lb)
	CDEF 1-30000	Quad Ring
3	4-00066	Top Nut
4	ABCDEF 3-10200	Washer
5	3-01000-02	Filler Plug
6	4-00075	Reservoir Housing
7	3-27005	Bearing Cap
8	3-70000	Thrust Bearing
9	3-11024	Snap Ring
	3-25751-06	Roll Pin
10	3-27006	Thrust Collar
11	KIT-5145-TPTUM	Ram Assembly
12	AB 14A	Bushing
	CDEF 3-27018	Bushing
13	AB 15A	U-Cup (3000 lb)
	CDEF 1-30500	U-Cup
14	1-04500	Hole Plug, 1/8"
	1-90001-02	Relief Valve (NLA replace w/ 1-04500)
15	CFG 1-04501	Screw Plug
17	4-00077	Sleeve
18	ABDF 3-20004	Spring (Foot Control Models)
	ABCD 3-20003	Spring (Hand Control Models)
19	ABCDEF 1-30001	Quad Ring, 1"
20	F 4-00079	Pin (Foot Control)
	C 4-00078	Pin (Hand Control)
21	4-00057	Foot Pedal
22	3-00090-08	Bolt
23	4-61035	Handle Pin, 5/8", Brass Bushing
	4-00081	Handle Pin, 3/4", Nylon Bushing
24	AB 1-30001	Quad Ring, 1"
	ABCDEF 1-32000	U-Cup, 13/16"
25	AB 35	Scraper, 1"
	ABCDEF 1-33501	Scraper, 13/16"
26	A 3-20013	Spring (1" Piston)
	ACDF 3-20005	Spring (13/16" Piston)
27	4-60065	Piston, 1"
	CF 4-00080	Piston, 13/16"
28	3-27055	Bushing, 5/8", Brass
	ACDF 3-27020	Bushing, 3/4", Nylon

Item	Part No.	Description
29	4-00082	Piston Pusher Shaft
30	4-60072	Handle Socket (Foot Control Models)
	4-60082	Handle Socket (Hand Control Models)
31	CF 4-00083	Piston Pusher
32	3-25754-11	Roll Pin
33	ACDFG 3-27009	Spring Guide
34	ACDFG 3-20006	Spring
35	ABCDEF 3-30002	Ball
36	ABCDFG 3-20007	Spring
37	ABCDEF RL 3-30000	Ball
38	4-00084	Upper Valve Pin (Round)
39	ACDFG 3-20008	Spring
40	ABCDEF 3-30001	Ball
41	4-00086	Lower Valve Pin (Square)
42	A 58A	Washer (3000 lb)
	CDEF 3-26002	Washer
43	ACDF 3-27008	Spring Guide
44	ACDFG 3-27007	Ball Guide
45	67	Retaining Ring (1" Piston)
	3-11000	Retaining Ring (13/16" Piston)
46	RL 3-11001	Snap Ring
47	AB 1-40004	O-Ring (3000 lb)
CDEF 8B		O-Ring (5000 lb)
48	3-04501-05-A	Set Screw Kit
49	3-25750-07	Roll Pin
KITS A	T5AOK	Seal Kit (1-3/8" Lift Ram; 3000 lb, Some 4500 lb)
KITS B	7-99003	Seal Kit (Slim Version of T5AOK)
KITS C	T5BOK-H-SUPER	Super Seal Kit (1-5/8" Lift Ram) Hand Control
KITS D	T5BOK	Complete Seal Kit (1-5/8" Ram)
KITS E	7-99001	Seal Kit (1-5/8" Lift Ram)
KITS F	T5BOK-F-SUPER	Super Seal Kit (1-5/8" Lift Ram) Foot Control
KITS G	7-99000	Seal Kit (Spring and Ball Kit)
	HU RL 5000-F	Rebuilt Hydraulic Unit - Exchange
	HU RL 5000-H	Rebuilt Hydraulic Unit - Exchange

Rol-Lift Series T and E Hand Control Handle

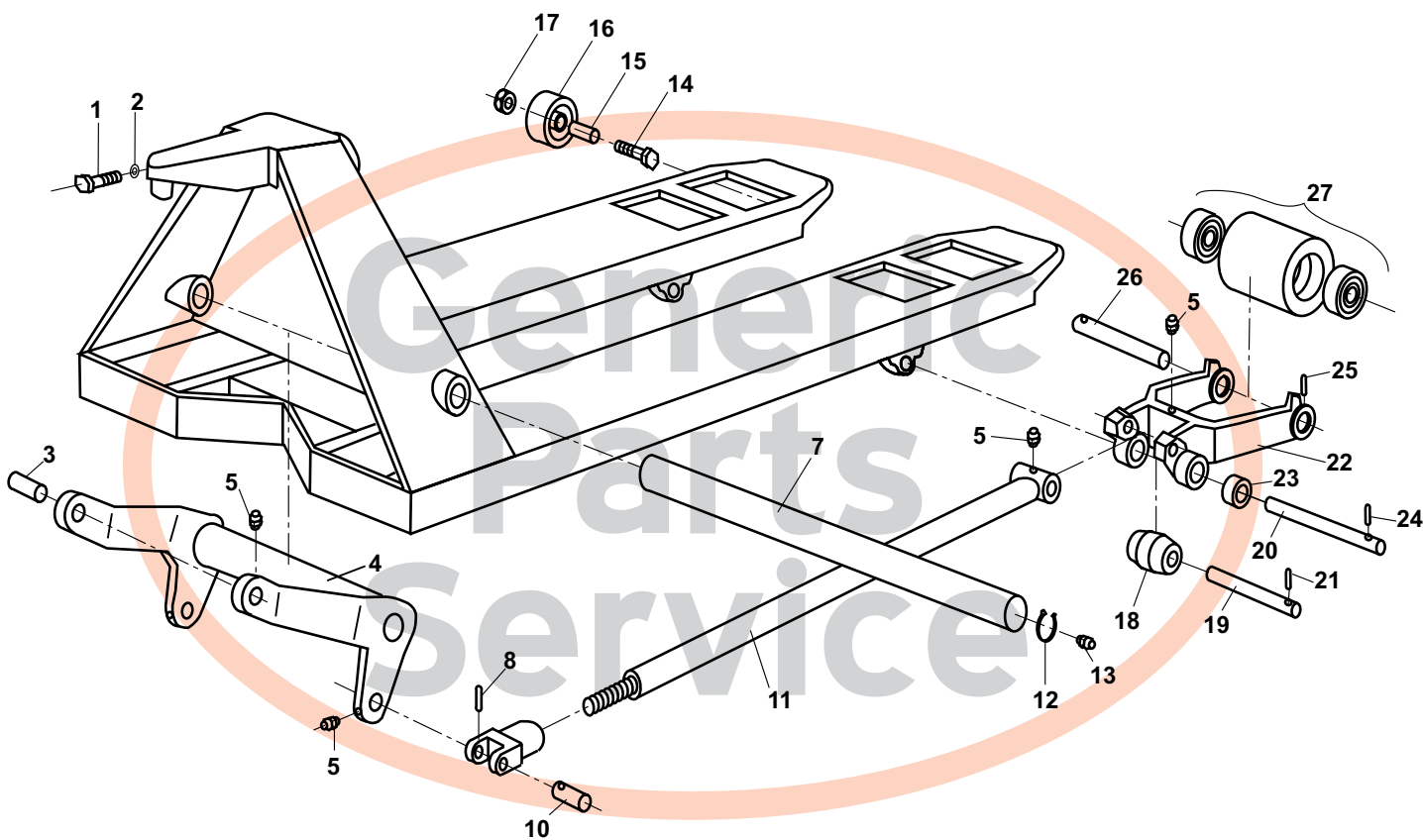


Rol-Lift Series T and E Hand Control Handle

Item	Part No.	Description
1	Not Available	Plastic Cover
2	3-25500	Cotter Pin
3	Not Available	Control Lever
4	3-60000	Pin
5	Not Available	Control Lever Grip
6	7-00008	Control Rod
7	3-20001	Spring
8	3-27003	Actuator
9	3-27010	Pivot Shaft
10	3-27163-S	Pivot Shaft Assembly
11	3-02000-03	Handle Bolt
12	3-04501-07	Set Screw
15	7-30048	Fulcrum Bar
16	Not Available	Glide Pin (No Longer Sold Separately, Use Item 10)
17	3-08006-04	Adjusting Screw
18	3-50064	Nut
19	3-00087-04	Bolt
20	4-00078	Pin
21	Not Available	Handle Assembly (See Item 33)

Item	Part No.	Description
22	3-09998	Screw
23	3-27133	Control Lever
24	3-30000	Ball
25	3-20017	Spring
26	3-25750-07	Roll Pin
27	3-27166	Control Rod
28	3-27134	Spring Retainer
29	3-20016	Spring
30	3-25750-05	Roll Pin
31	3-27138	Actuator
32	4-60082	Handle Socket (Hand Control Models)
	4-60072	Handle Socket (Foot Control Models)
33	7-60016	Handle Frame
	8-60017	Handle Assembly
	KIT-5072-TPTUM	Handle Assembly (Includes Items 9-12 & 23-33)
34	3-27132	Front Cover
35	3-51001	Spacer
36	3-00006-04	Screw
37	3-27131	Back Cover

Uline H-1043, H-1193, H-1366, H-1484 Frame



Uline H-1043, H-1193, H-1366, H-1484 Frame

Item	Part No.	Description
1	H-1043-B42	Bolt
2	H-1043-B4	Lock Washer
3	H-1043-B14	Pin
4	H-1043-B43	Lifting Link 27" wide jack, H-1043 & H-1484
	H-1193-B43	Lifting Link 21" wide jack, H-1193 & H-1366
5	H-1193-B15	Lube Fitting
7	H-1043-B20	Long Shaft 27" wide jack, H-1043 & H-1484
	H-1193-B20	Long Shaft 21" wide jack, H-1193 & H-1366
8	H-1483-B16	Spring Pin
9	H-1483-B17	Rod Fitting, Joint
10	H-1043-B18	Pin
11	H-1483-B19	Push Rod 48" Fork, H-1043 & H-1193
	H-1366-B19	Push Rod 36" Fork, H-1366 & H-1484
12	H-1043-B21	Retaining Ring
13	H-1193-B15	Lube Fitting
14	H-1043-B36	Bolt
15	H-1043-B37	Roller Sleeve

Item	Part No.	Description
16	H-1043-B38	Entry Roller
17	H-1043-B39	Lock Nut
18	H-1043-B23	Exit Roller
19	H-1043-B25	Shaft
20	H-1043-B26	Pivot Shaft
21	H-1043-B24	Spring Pin
22	H-1043-B31	Load Wheel Bracket
23	H-1043-B28	Exit Roller Ring
24	H-1043-B27	Spring Pin
25	H-1043-B30	Spring Pin
26	H-1043-B29	Axle Shaft
27	H-1043-WHKIT	Load Roller Assembly, Black Ultra Poly on Steel
	H-1043-WHKIT-N	Load Roller Assembly, Nylon
	H-1043-WHKIT-S	Load Roller Assembly, Solid Steel
	GWK-1043-LW	Load Wheel Kit, (2) Nylon Roller Assemblies W/Bearings, Axles and Fasteners

Model Specifications

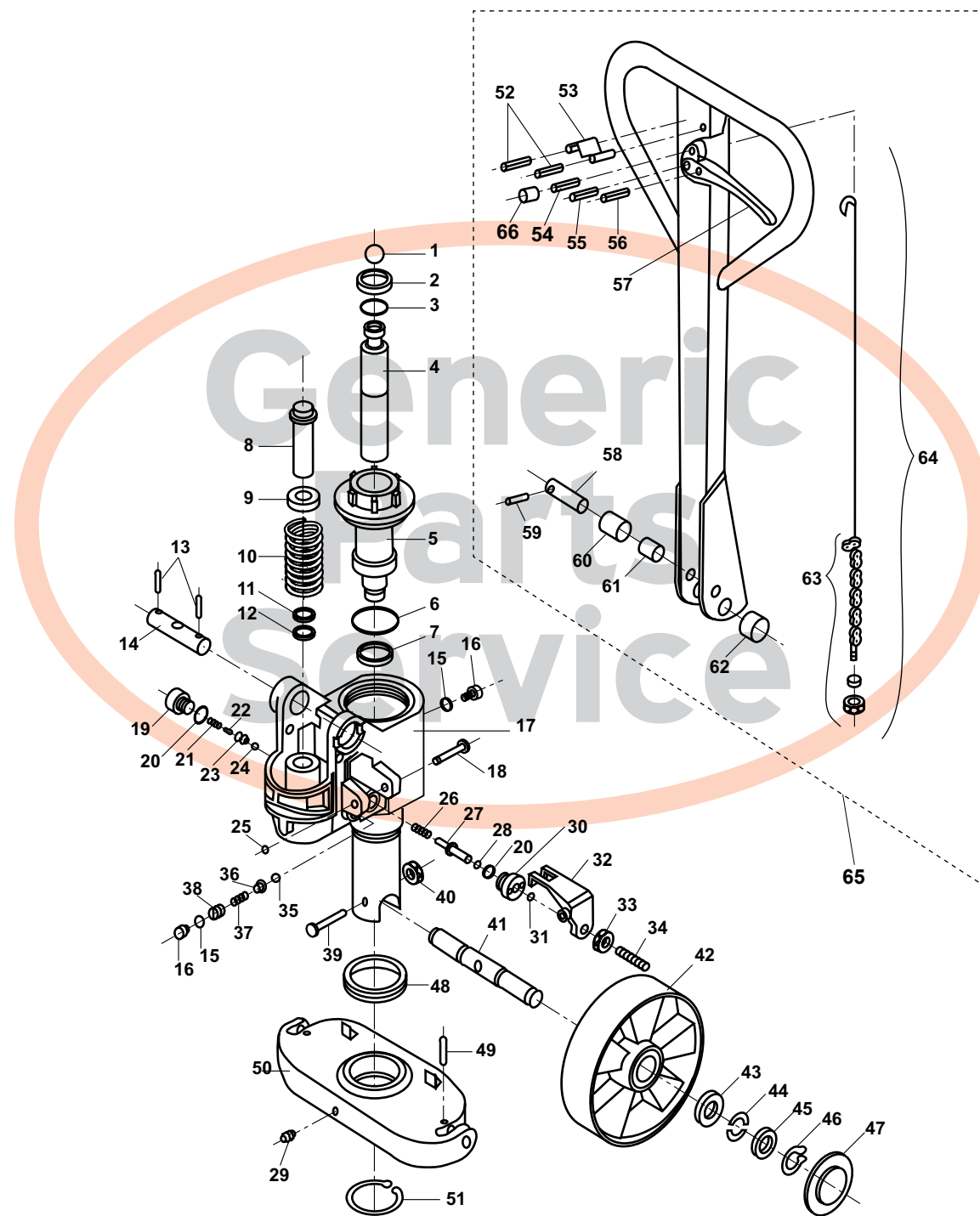
H-1043	27" X 48"
H-1193	21" X 48"
H-1366	21" X 36"
H-1484	27" X 36"

Load Wheel Kit

GWK-1043-LW



Uline H-1043, H-1193, H-1366, H-1484 Hydraulic Unit



Uline H-1043, H-1193, H-1366, H-1484 Hydraulic Unit

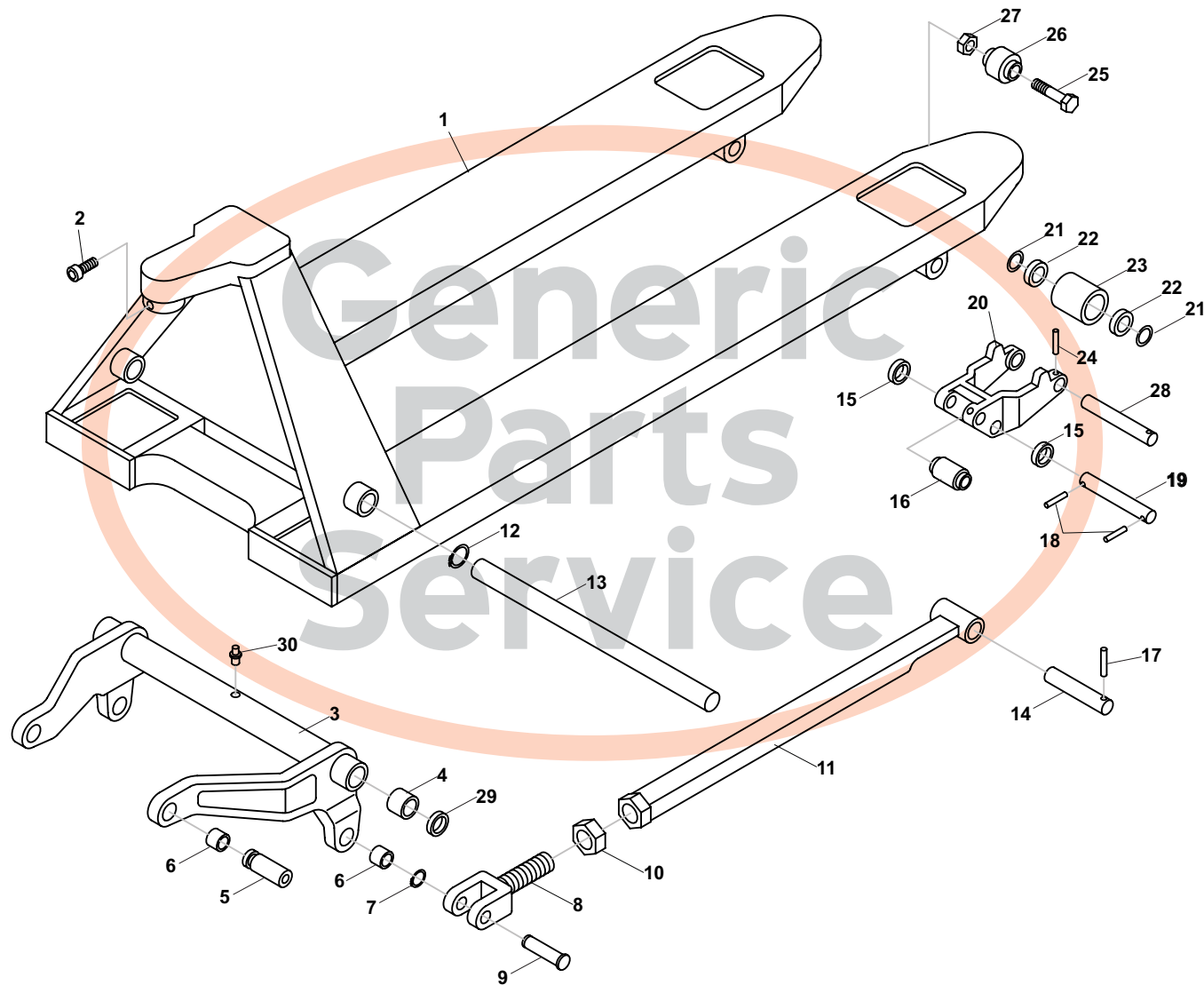
Item	Part No.	Description
1	H-1043-B146	Ball
2	A H-1043-B145	Wiper
3	A H-1043-B144	O-ring
4	H-1043-B152	Piston Rod
5	H-1043-B143	Cylinder Cap
6	A H-1043-B142	O-ring
7	A H-1043-B141	U-Cup
8	H-1043-B147	Pump Piston
9	H-1043-B148	Spring Cap
10	H-1043-B149	Spring
11	A H-1043-B150	Wiper
12	A H-1043-B151	U-Cup
13	H-1043-B117	Spring Pin
14	H-1043-B118	Handle Axle
15	A H-1043-B126	Copper Washer
16	H-1043-B127	Plug Bolt
17	H-1043-BP100	Pump Assembly Complete
18	H-1043-B140	Pin
19	H-1043-B119	Screw Plug
20	A H-1043-B120	Copper Washer
21	H-1043-B121	Spring
22	H-1193-B122	Spindle Damping Valve
23	H-1193-B123	Damping Valve Seat
24	H-1043-B124	Ball
25	H-1043-B153	Retaining Ring
26	H-1193-B128	Spring
27	H-1193-B129	Release Pin
28	A H-1193-B130	O-ring
29	H-1043-B15	Lube Fitting
30	H-1043-B131	Sleeve
31	A H-1043-B132	O-ring
32	H-1043-B135	Lever Plate
33	H-1043-B134	Nut
34	H-1043-B133	Set Screw
35	H-1043-B139	Ball
36	H-1043-B138	Ball Base
37	H-1043-B137	Spring
38	H-1043-B136	Adjustment Screw
39	H-1043-B3	Bolt
40	H-1043-B44	Lock Nut
41	H-1366-B2	Axle

Item	Part No.	Description
42	H-1043-B8	Steer Wheel Assembly, Poly on Nylon Hub W/ Bearings
	H-1043-B8-HD	Steer Wheel Assembly, Red Ultra-Poly on Aluminum Hub with Bearings
	H-1043-B8-S	Steer Wheel Assembly, Solid Steel w/ Bearings
	GWK-1043-CK	Complete Wheel Kit, Poly on Nylon SW's Poly on Steel LW's w/ Bearings Axles and Fasteners
43	H-1043-B9	Bearing
44	H-1365-B10	Half Circle Washer
45	H-1366-B11	Washer
46	H-1366-B12	Retaining Ring
47	H-1043-B13	Dust Cover
48	H-1365-B4	Thrust Bearing
49	H-1365-B6	Spring Pin
50	H-1043-B5	Traverse
51	H-1043-B7	Retaining Ring
52	H-1043-B102	Roll Pin
53	H-1043-B101	Blade Spring
54	H-1043-B104	Roll Pin
55	H-1043-B105	Roll Pin
56	H-1043-B106	Roll Pin
57	H-1043-B107	Control Lever
58	H-1043-B109	Handle Pin
59	H-1043-B110	Roll Pin
60	H-1043-B111	Roller
61	H-1043-B112	Bushing
62	H-1043-B114	Handle Bushing
63	H-1043-B115	Chain, Adjustment Pin & Nut
64	H-1043-B113A	Control Rod Assembly
65	H-1043-SHC	Handle Assembly Complete Inc. 52-64
66	H-1043-B106	Lever Roller
Kits A	H-1043-BK100	Seal Kit

Complete Wheel Kit



Uline H-2708, H-2900, H-3045 Frame



Uline H-2708, H-2900, H-3045 Frame

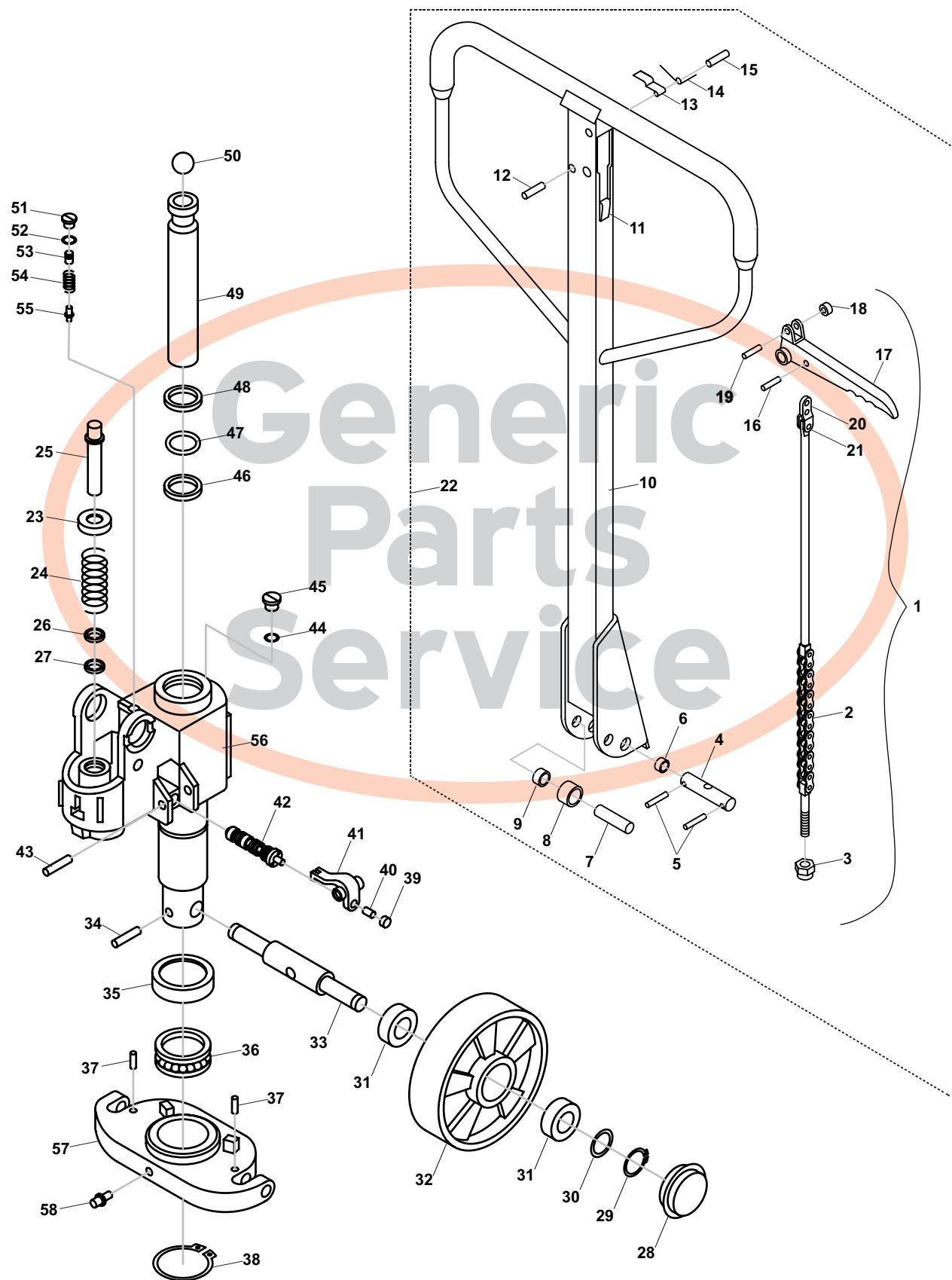
Item	Part No.	Description
1	H-2708-AC201	Frame
2	H-2708-AC202	Bolt
3	H-2708-AC203	Lifting Link, 27" Wide Frame
4	H-2708-AC204	Bushing
5	H-2708-AC205	Pin
6	H-2708-AC206	Bushing
7	H-2708-AC208	Retaining Ring
8	H-2708-AC209	Joint
9	H-2708-AC210	Pin
10	H-2708-AC211	Nut
11	H-2708-AC212	Push Rod, 48" Forks
12	H-2708-AC213	Snap Ring
13	H-2708-AC214	Long Shaft
14	H-2708-AC216	Shaft
15	H-2708-AC217	Exit Roller Ring
16	H-2708-AC218	Exit Roller
17	H-2708-AC219	Spring Pin

Item	Part No.	Description
18	H-2708-AC220	Spring Pin
19	H-2708-AC221	Pivot Shaft
20	H-2708-AC222	Load Wheel Bracket
21	H-2708-AC225	Washer
22	H-2708-AC226	Bearing
23	H-2708-AC234	Load Roller Assembly, Black Ultra Poly on Steel
	H-2708-AC234-N	Load Roller Assembly, Nylon
	H-2708-AC234-S	Load Roller Assembly, Solid Steel
	GWK-2708-LW	Load Wheel Kit, (2) Black Ultra Poly Roller Assemblies W/Bearings, Axles and Fasteners
24	H-2708-AC230	Spring Pin
25	H-2708-AC231	Bolt
26	H-2708-AC232	Entry Roller
27	H-2708-AC233	Locking Nut
28	H-2708-AC235	Load Wheel Axle
29	H-2708-AC236	Washer
30	H-2708-AC237	Lube Fitting

Load Wheel Kit



Uline H-2708, H-2900, H-3045 Hydr. Unit



Uline H-2708, H-2900, H-3045 Hydr. Unit

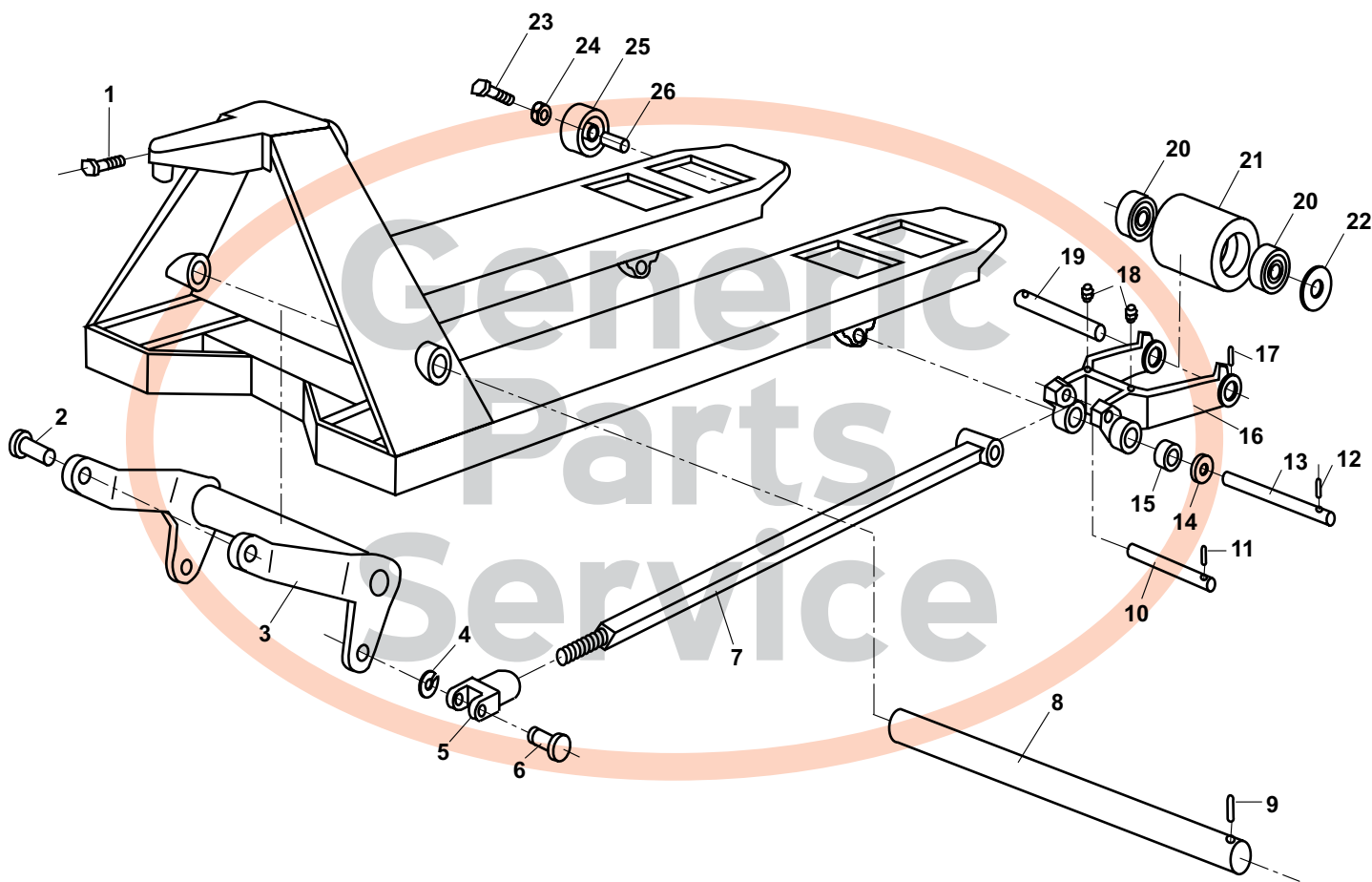
Item	Part No.	Description
1	H-2708-AC101-A	Control Rod Assembly Includes 2, 3, 16-21
2	H-2708-AC102	Chain & Adjustment Bolt
3	H-2708-AC104	Adjustment Nut
4	H-2708-AC105	Handle Axle
5	H-2708-AC106	Spring Pin
6	H-2708-AC107	Bushing
7	H-2708-AC108	Roller Pin
8	H-2708-AC109	Pressure Roller
9	H-2708-AC109A	Bushings
10	H-2708-AC110	Handle Frame
11	H-2708-AC111	Rubber Stop
12	H-2708-AC112	Spring Pin
13	H-2708-AC113	Blade Spring
14	H-2708-AC114	Spring
15	H-2708-AC115	Spring Pin
16	H-2708-AC116	Spring Pin
17	H-2708-AC117	Control Handle
18	H-2708-AC118	Roller
19	H-2708-AC119	Spring Pin
20	H-2708-AC121	Pivot Hinge
21	H-2708-AC122	Pin
22	H-2708-AC110	Handle Assembly Complete, Includes 1-21
23	H-2708-AC301	Spring Cap
24	H-2708-AC302	Spring
25	H-2708-AC303	Pump Piston
26	A H-2708-AC304	Wiper
27	A H-2708-AC305	U-Cup
28	H-2708-AC306	Hub Cap
29	H-2708-AC307	Snap Ring
30	H-2708-AC308	Washer
31	H-2708-AC309	Bearing
32	H-2708-AC310	Steer Wheel Assembly, Poly on Nylon Hub W/ Bearings
	H-2708-AC310-N	Steer Wheel Assembly, Solid Nylon W/ Bearings
	H-2708-AC310-HD	Steer Wheel Assembly, Red Ultra-Poly on Aluminum Hub W/ Bearings
	H-2708-AC310-S	Steer Wheel Assembly, Solid Steel W/ Bearings
	GWK-2708-CK	Complete Wheel Kit, Poly on Nylon SW's Poly on Steel Load Wheels W/Bearings Axles and Fasteners
33	H-2708-AC316	Steer Wheel Axle
34	H-2708-AC311	Spring Pin
35	H-2708-AC337	Bearing Cover

Item	Part No.	Description
36	H-2708-AC315	Thrust Bearing
37	H-2708-AC312	Spring Pin
38	H-2708-AC314	Snap Ring
39	H-2708-AC317	Nut
40	H-2708-AC318	Adjustment Screw
41	H-2708-AC319	Lever Plate
42	H-2708-AC321	Valve Cartridge
43	H-2708-AC320	Spring Pin
44	A H-2708-AC323	Seal Washer
45	H-2708-AC324	Screw Plug
46	A H-2708-AC325	U-Cup
47	A H-2708-AC326	O-Ring
48	A H-2708-AC327	Wiper
49	H-2708-AC328	Lift Piston
50	H-2708-AC329	Ball
51	H-2708-AC330	Screw Plug
52	A H-2708-AC331	O-Ring
53	H-2708-AC332	Adjustment Screw
54	H-2708-AC333	Spring
55	H-2708-AC334	Overload Valve
56	H-2708-AP100	Hydraulic Unit Complete
57	H-2708-AC313	Traverse Plate
58	H-2708-AC335	Lube Fitting
Kits A	H-2708-AK100	Seal Kit

Complete Wheel Kit



Valu-Jack 5500 & 6600 Frame



Valu-Jack 5500 & 6600 Frame

Item	Part No.	Description
1	66201	Set Screw
2	66207	Pin
3	66203	Lifting Link
4	66205	Snap Ring
5	66206	Clevis
6	66210	Pin
7	66208	Push Rod
8	66211	Lifting Link Shaft
9	66204	Roll Pin
10	66214	Push Rod Axle
11	66213	Roll Pin
12	66216	Roll Pin
13	66212	Pivot Axle
14	66243	Exit Roller
15	66244	Bushing
16	66215	Load Wheel Bracket
17	66204	Roll Pin

Item	Part No.	Description
18	66202	Grease Fitting (Threaded)
19	66217	Load Wheel Axle
20	66220	Bearing
21	66225-D	Load Roller Assembly, Red Ultra-Poly On Aluminum Hub W/ Bearings
	66225	Load Roller Assembly, Black Ultra-Poly On Steel Hub W/ Bearings
	66225-N	Load Roller Assembly, Nylon W/ Bearings
	66225-S	Load Roller Assembly, Steel W/ Bearing
	GWK-VJ-LW	Load Wheel Kit, (2) Black Ultra-Poly (70D), Load Roller Assemblies, W/ Bearings, Axles & Fasteners
22	66219	Washer
23	66241	Bolt
24	66242	Nut
25	66239	Entry Roller
26	66240	Sleeve

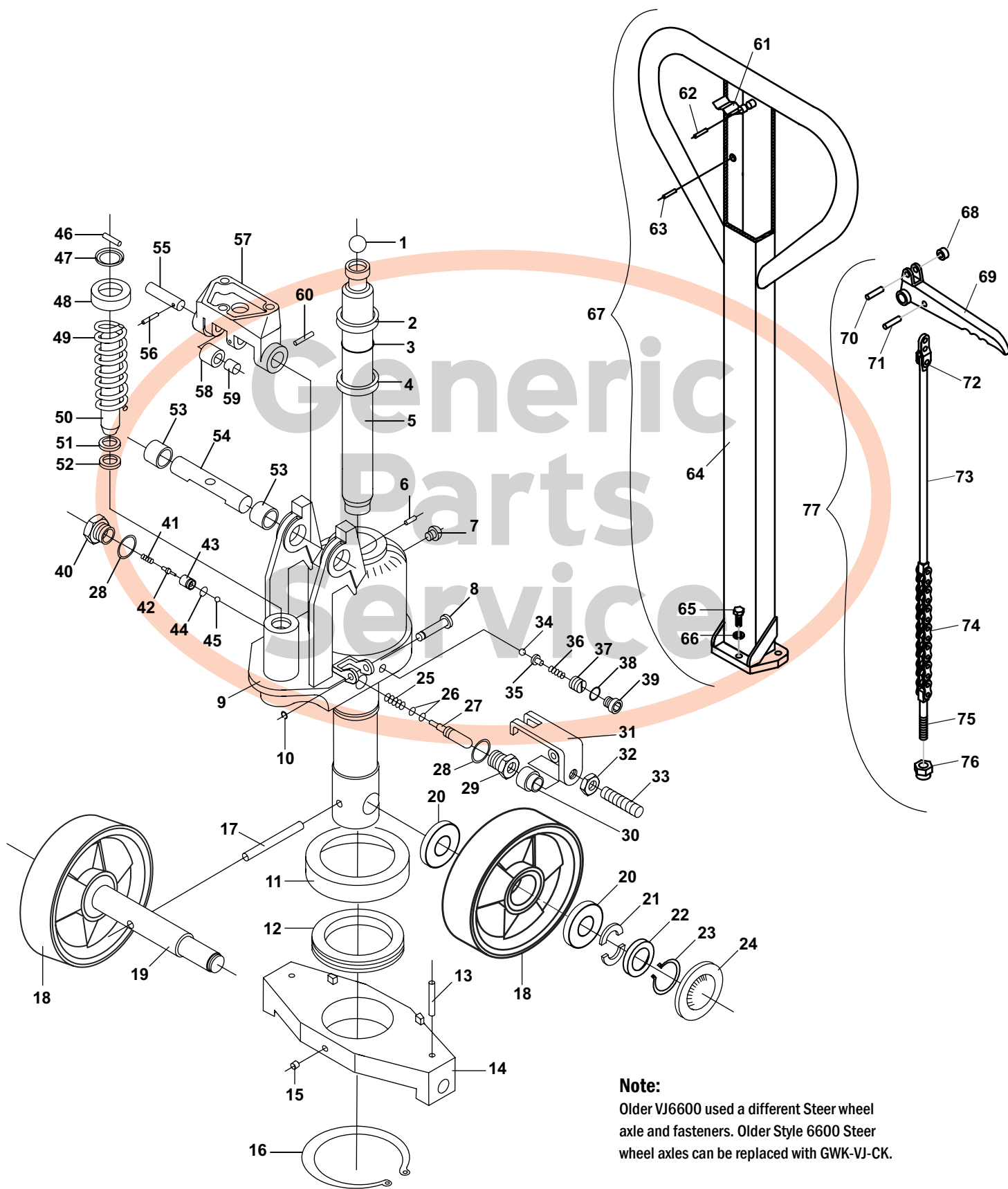
Load Wheel Kit



Complete Wheel Kit



Valu-Jack 5500 & 6600 Hydraulic Unit

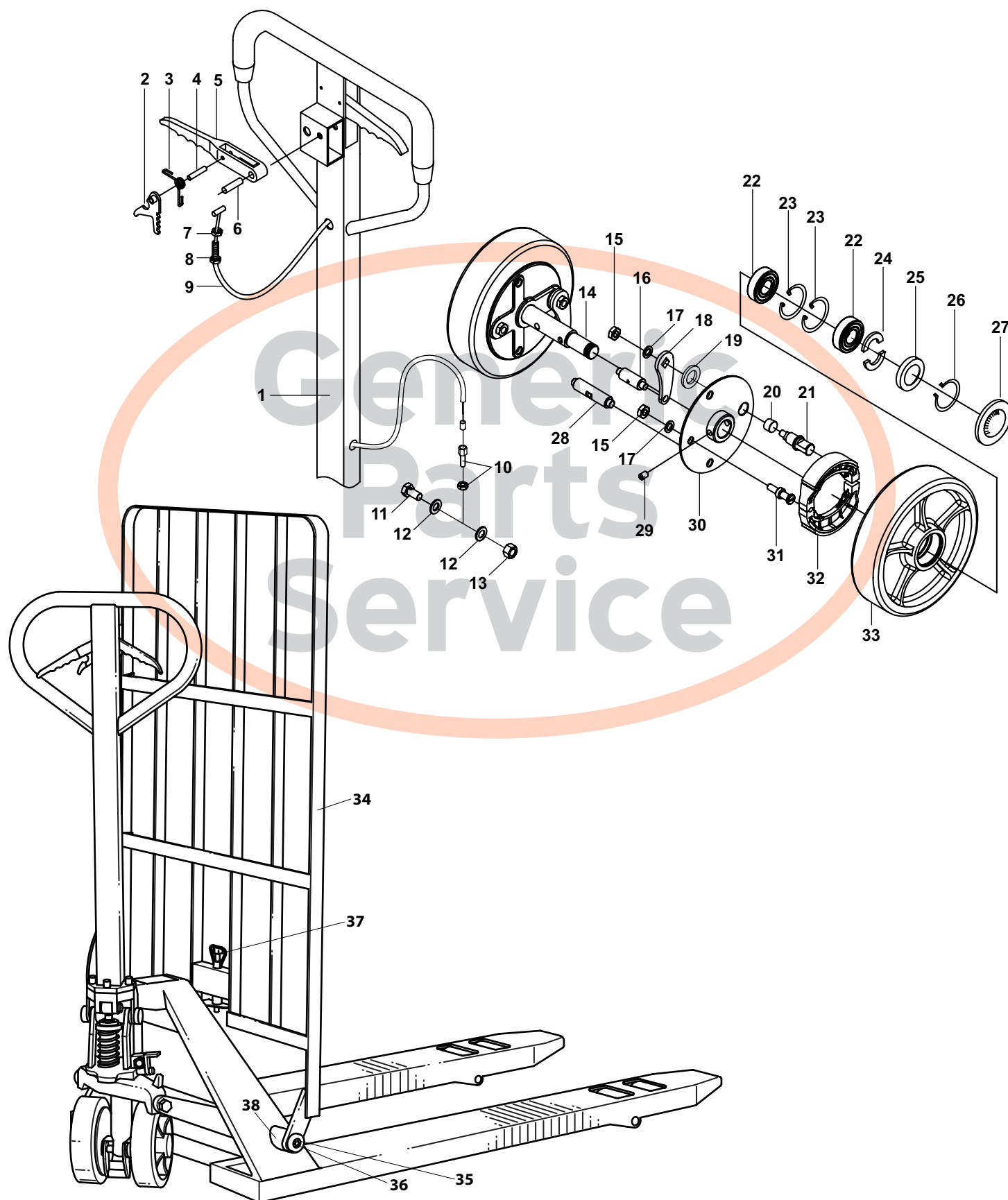


Note:
Older VJ6600 used a different Steer wheel axle and fasteners. Older Style 6600 Steer wheel axles can be replaced with GWK-VJ-CK.

Valu-Jack 5500 & 6600 Hydraulic Unit

Item	Part No.	Description	Item	Part No.	Description
1	66146	Ball	35	6644	Ball Base
2	A 66148	Scraper	36	6645	Spring
3	A 66143	O-Ring	37	6646	Plug
4	A 66144	U-Cup	38	6619	O-Ring
5	66147	Ram	39	6620	Plug
6	66157	Roll Pin	40	66106	Plug
7	A 66149	Oil Plug	41	66108	Spring
8	66145	Shaft	42	66109	Valve Cone
9	66156	Pump Body	43	66110	Valve
10	66114	Retaining Ring	44	A 66111	O-Ring
11	66121	Bearing Cover	45	66112	Valve
12	66122	Thrust Bearing	46	669	Roll Pin
13	66123	Roll Pin	47	668	Pin Retainer
14	66118	Traverse	48	667	Spring Cap
15	66119	Grease Fitting (Threaded)	49	66103	Handle Return Spring
16	66120	Snap Ring	50	665	Pump Piston
17	66115	Roll Pin	51	A 664	Scraper
18	66216-HD	Steer Wheel Assembly, Red Ultra-Poly On Aluminum Hub W/ Bearings	52	A 662	U-Cup
	66216-ST	Steer Wheel Assembly, Black Poly On Nylon Hub W/ Bearings	53	6621	Bushing
	66216-S	Steer Wheel Assembly, Steel W/ Bearings	54	6622	Shaft
	66216-N	Steer Wheel Assembly, Nylon	55	6626	Handle Pin
	GWK-VJ-CK	Complete Wheel Kit, (2) Ultra-Poly Load Roller Assemblies (70D), (2) Poly Steer Wheel Assemblies, W/ Bearings, Axles & Fasteners	56	6625	Roll Pin
19	66117	Steer Wheel Axle (older style)	57	6627	Handle Bracket
	66117A	Steer Wheel Axle	58	66152	Pressure Roller
20	66128	Bearing	59	6623	Bushing
21	66126	Tab Washer (Older Style)	60	6628	Roll Pin
	66126A	Split Ring	61	66602	Blade Spring
22	66125	Round Nut (Older Style)	62	66604	Roll Pin
	66125A	Retaining Washer	63	66606	Roll Pin
23	66127	Retaining Ring	64	66631	Handle Frame
24	66124	Hub Cap	65	66632	Bolt
25	66129	Spring	66	66633	Lock Washer
26	A 66130	O-Ring	67	66616	Handle Assembly, Includes Items 61-64, 67-76
27	66131	Release Pin	68	66603	Roller
28	A 66107	O-Ring	69	66608	Control Lever
29	66136	Release Pin Guide	70	66605	Roll Pin
30	A 66137	Rubber Cushion	71	66607	Roll Pin
31	66132	Release Lever	72	66613	Pin
32	66134	Lock Nut	73	66609	Pull Rod
33	66133	Adjustment Screw	74	66612	Chain
34	6643	Steel Ball	75	66614	Connecting Screw
			76	66615	Nut
			77	66609-A	Control Rod Assembly, Includes Items 68-76
			KITS A	66150	Seal Kit
				66156A	Pump Assembly - New

Valu-Jack 5500 & 6600 Backrest & Brake

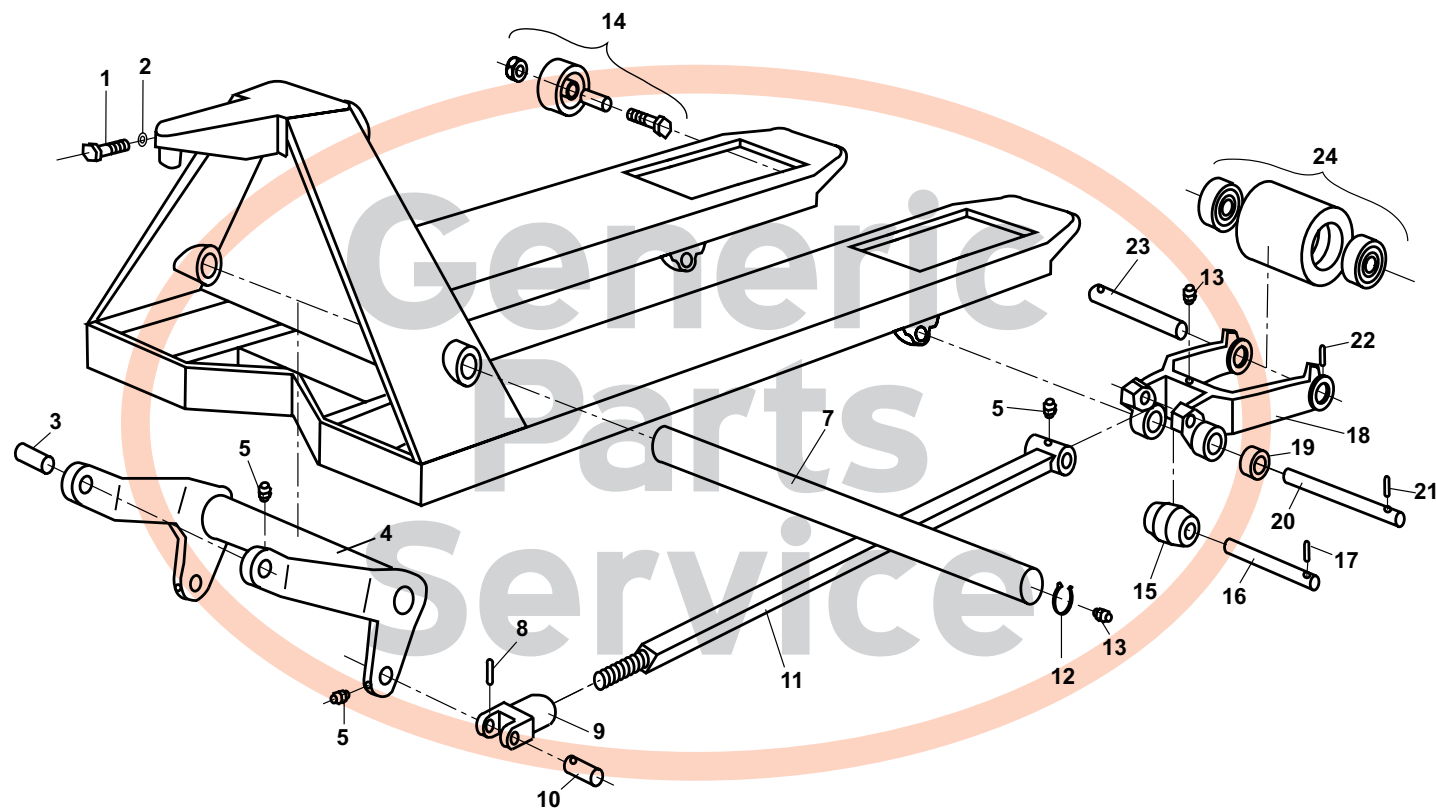


Valu-Jack 5500 & 6600 Backrest & Brake

Item	Part No.	Description
1	66S9	Brake Handle Frame
2	66S1	Locking Lever
3	66S2	Spring
4	66S3	Spring Pin
5	66S4	Brake Lever
6	66S5	Spring Pin
7	66S6	Nut
8	66S7	Bolt
9	66S8	Brake Cable
10	66S21	Adjustment Screw
11	66S10	Bolt
12	66S11	Washer
13	66S12	Nut
14	66S26	Shaft
15	66S14	Nut
16	66S27	Shaft
17	66S16	Washer
18	66S28	Lever Plate
19	66S35	Washer
20	66S24	Bushing
21	66S25	Shaft
22	66S29	Bearing
23	66S30	Snap Ring
24	66S31	Split Ring
25	66S32	Washer
26	66S33	Snap Ring
27	66S34	Dust Cover
28	66S13	Shaft
29	66S15	Set Screw
30	66S17	Brake Plate
31	66S18	Stud
32	66S19	Brake Shoe
33	66S20	Brake Wheel, Poly on Steel

Item	Part No.	Description
34	66S38	Backrest
35	66S36	Bushing
36	66S37	Bolt
37	66S39	Backrest Locking Pin (Includes Spring)
38	66S40	Lifting Link Shaft

Valu-Jack 5500-2 Frame



Valu-Jack 5500-2 Frame

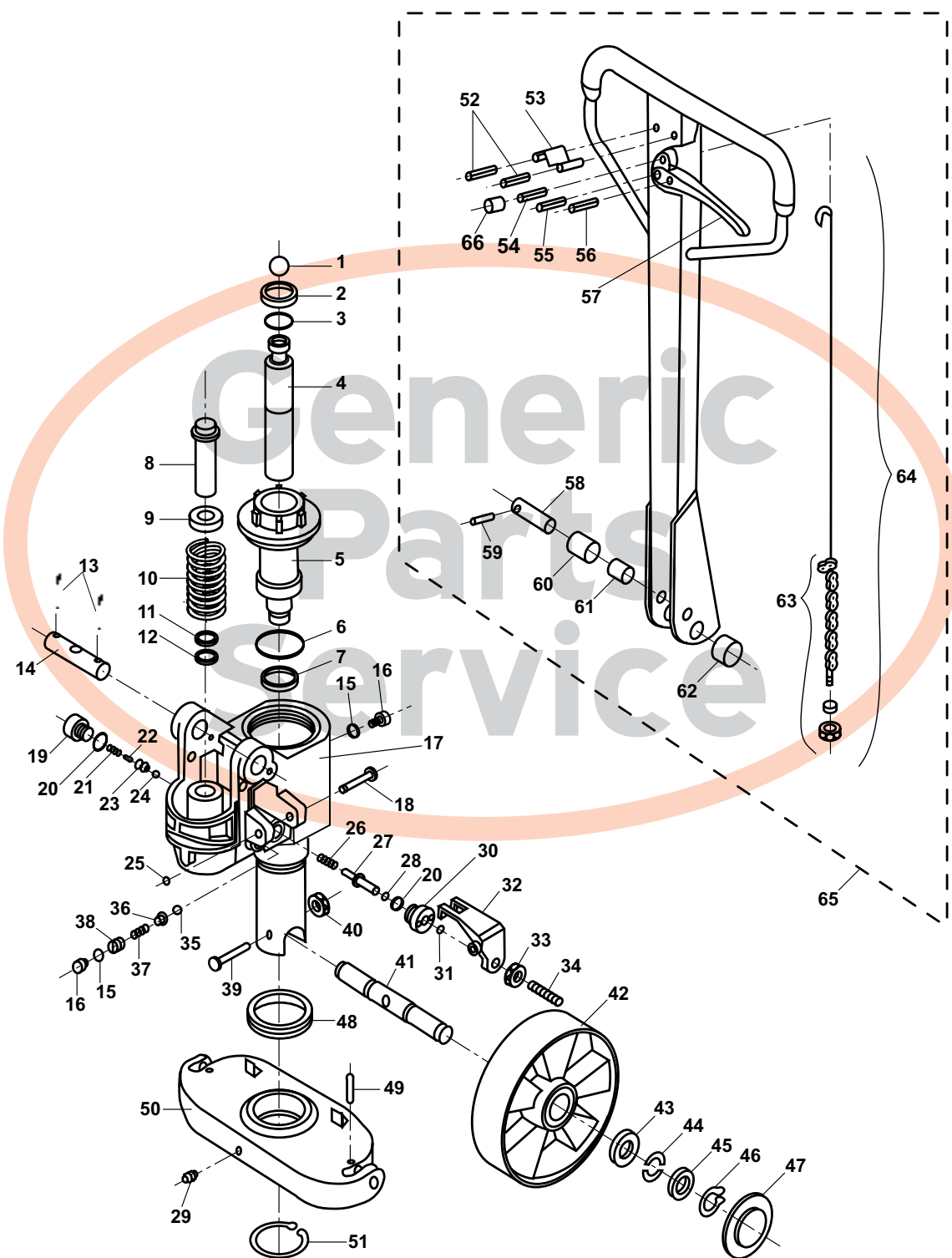
Item	Part No.	Description
1	55F42	Bolt
2	55F41	Washer
3	55F14	Pin
4	55F43	Lifting Link, 27"wide frame
	55F43-20.5	Lifting Link, 20.5" wide frame
5	55F22	Lube Fitting
7	55F20	Shaft, 27" wide fork
	55F20-20.5	Shaft, 27"wide fork
8	55F16	Roll Pin
9	55F17	Rod Fitting , Clevis
10	55F18	Pin
11	55F19	Push Rod, 48" Forks
	55F19-36	Push Rod, 36" Forks
12	55F21	Retaining Ring
13	55F15	Lube Fitting
14	55F36A	Entry Roller Assy, Inc. Axle, Nut, Roller & Sleeve
	55F36	Entry Roller

Item	Part No.	Description
15	55F23	Exit Roller
16	55F25	Shaft
17	55F24	Roll Pin
18	55F31	Load Roller Bracket
19	55F28	Intermediate Exit Roller
20	55F26	Shaft
21	55F27	Roll Pin
22	55F30	Roll Pin
23	55F29	Shaft
24	55F35	Load Wheel Assembly, Ultra Poly 70D Black W/Bearings
	55F35N	Load Wheel Assembly, White Nylon W/Bearings
	55F35S	Load Wheel Assembly, Steel W/Bearings
	GWK-VJ2-LW	Load Wheel Kit, (2) Ultra Poly Load Wheels 70D, W/Bearings, Axles & Fasteners

Load Wheel Kit



Valu-Jack 5500-2 Hydraulic Unit



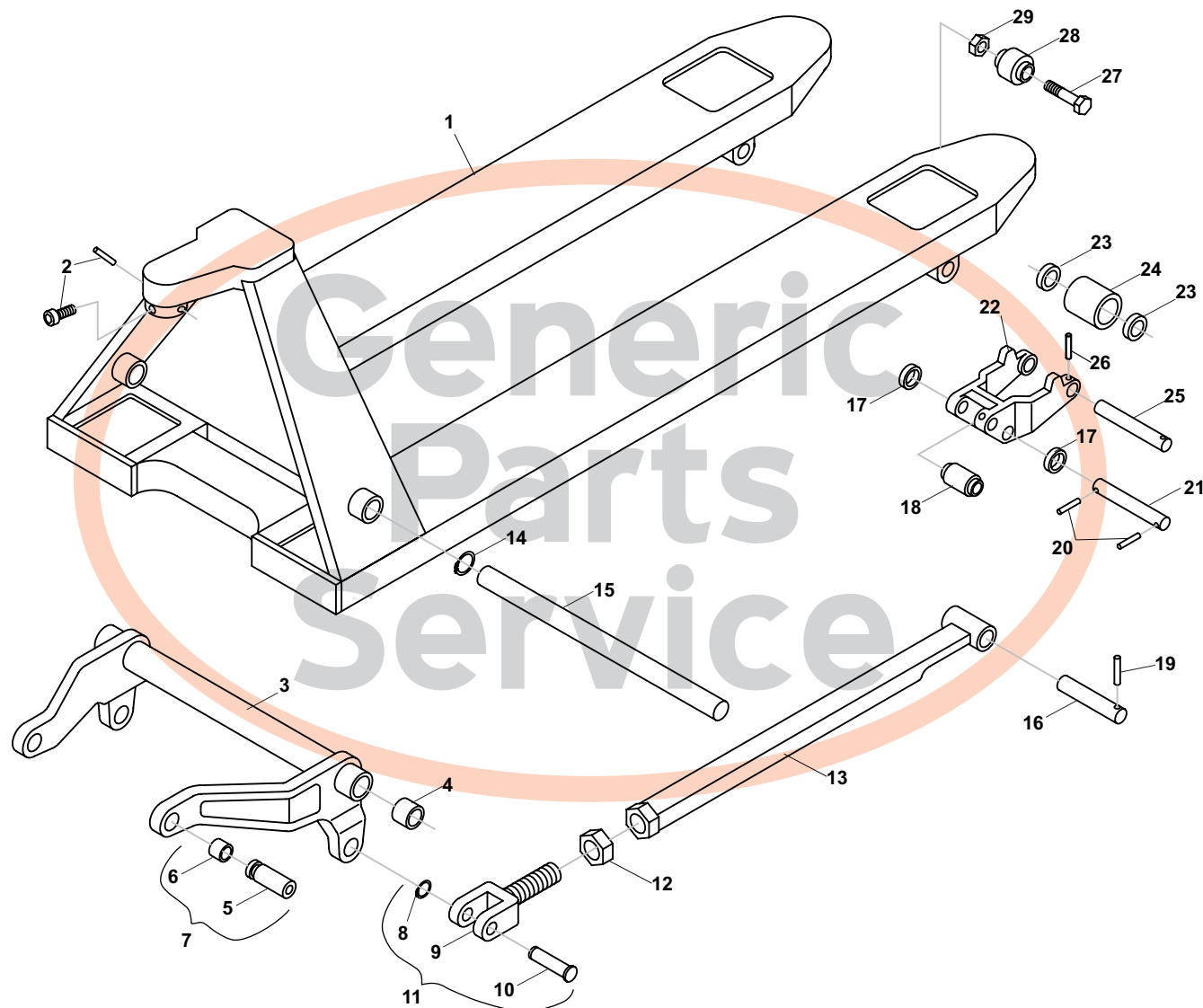
Valu-Jack 5500-2 Hydraulic Unit

Item	Part No.	Description
1	55F146	Ball
2	A 55F145	Wiper
3	A 55F144	O-Ring
4	55F152	Piston Rod
5	55F143	Cylinder Cap
6	A 55F142	O-Ring
7	A 55F141	U-Cup
8	55F147	Pump Piston
9	55F148	Washer
10	55F149	Spring
11	A 55F150	Wiper
12	A 55F151	U-Cup
13	55F117	Cotter Pin
14	55F118	Handle Axle
15	A 55F126	Seal Washer
16	55F127	Screw Plug
17	55F100	Pump Assembly, Complete
18	55F140	Lever Plate Pin
19	55F119	Screw Plug
20	A 55F120	Seal Washer
21	55F121	Spring
22	55F122	Spindle, Dampening Valve
23	55F123	Seat, Dampening Valve
24	55F124	Steel Ball
25	55F153	Retaining Ring
26	55F128	Spring
27	55F129	Release Pin
28	A 55F130	O-Ring
29	55F15	Lube Fitting
30	55F131	Sleeve
31	A 55F132	O-Ring
32	55F135	Lever Plate
33	55F134	Jam Nut
34	55F133	Adjustment Screw
35	55F139	Steel Ball
36	55F138	Valve Ball Seat
37	55F137	Spring
38	55F136	Adjustment Screw
39	55F3	Bolt
40	55F44	Nut

Item	Part No.	Description
41	55F2	Steer Wheel Axle
42	55F8	Steer Wheel Assembly, Black Poly on Nylon Hub, W/Bearings
	55F8-HD	Steer Wheel Assembly, Red Ultra Poly on Aluminum Hub, W/Bearings
	55F8R	Steer Wheel Assembly, Rubber on Aluminum Hub, W/Bearings
	55F8N	Steer Wheel Assembly, Solid White Nylon Hub, W/Bearings
	55F8S	Steer Wheel Assembly, Solid Steel, W/Bearings
	GWK-VJ2-CK	Complete Wheel Kit, (2)Ultra Poly Load Rollers(2) Poly on Nylon Steer Wheel Assemblies, W/Bearings, Axles & Fasteners
43	55F9	Bearing, 2 Rubber Seals
44	55F10	Half Cirque Washer
45	55F11	Cup Washer
46	55F12	Retaining Ring
47	55F13	Hub Cap
48	55F4	Thrust Bearing
49	55F6	Spring Pin
50	55F5	Traverse
51	55F7	Retaining Ring
52	55F102	Roll Pin
53	55F101	Blade Spring
54	55F104	Roll Pin
55	55F105	Roll Pin
56	55F106	Roll Pin
57	55F107	Control Lever
58	55F109	Handle Pin
59	55F110	Roll Pin
60	55F111	Roller
61	55F112	Bushing
62	55F114	Handle Bushing
63	55F115	Chain, Includes Ajustment Pin and Nut
64	55F113A	Control Rod Assembly
65	55F1A	Handle Assembly, Includes 52-66
66	55F103	Nylon Roller
Kit A	55FK100	Seal Kit

Wesco CPI Frame

(Model Numbers: 272655, 272656, 272657, 272658, 272659, 272660)



Wesco CPI Frame

(Model Numbers: 272655, 272656, 272657, 272658, 272659, 272660)

Item	Part No.	Description
1	A201	Fork Frame
2	A202A	Roll Pin
	Z69995	Socket Head Bolt (option)
3	270010	Lifting Link, 27" Fork Width
	272694	Lifting Link, 21" Fork Width
4	A204	Bushing
5	A205	Lifting Link Pin
6	A206	Bushing
7	270011	Shaft Kit (Includes Items 5 - 6)
8	A208	Snap Ring
9	A209	Joint
10	A210	Pin
11	270012	Joint Kit (Includes Items 8 - 10)
12	270318	Nut
13	270438	Push Rod, Fork Length 36"
	270436	Push Rod, Fork Length 42"
	270013	Push Rod, Fork Length 48"
14	270014	Retaining Ring
15	270015	Shaft, Lifting Link
16	270019	Shaft, Push Rod

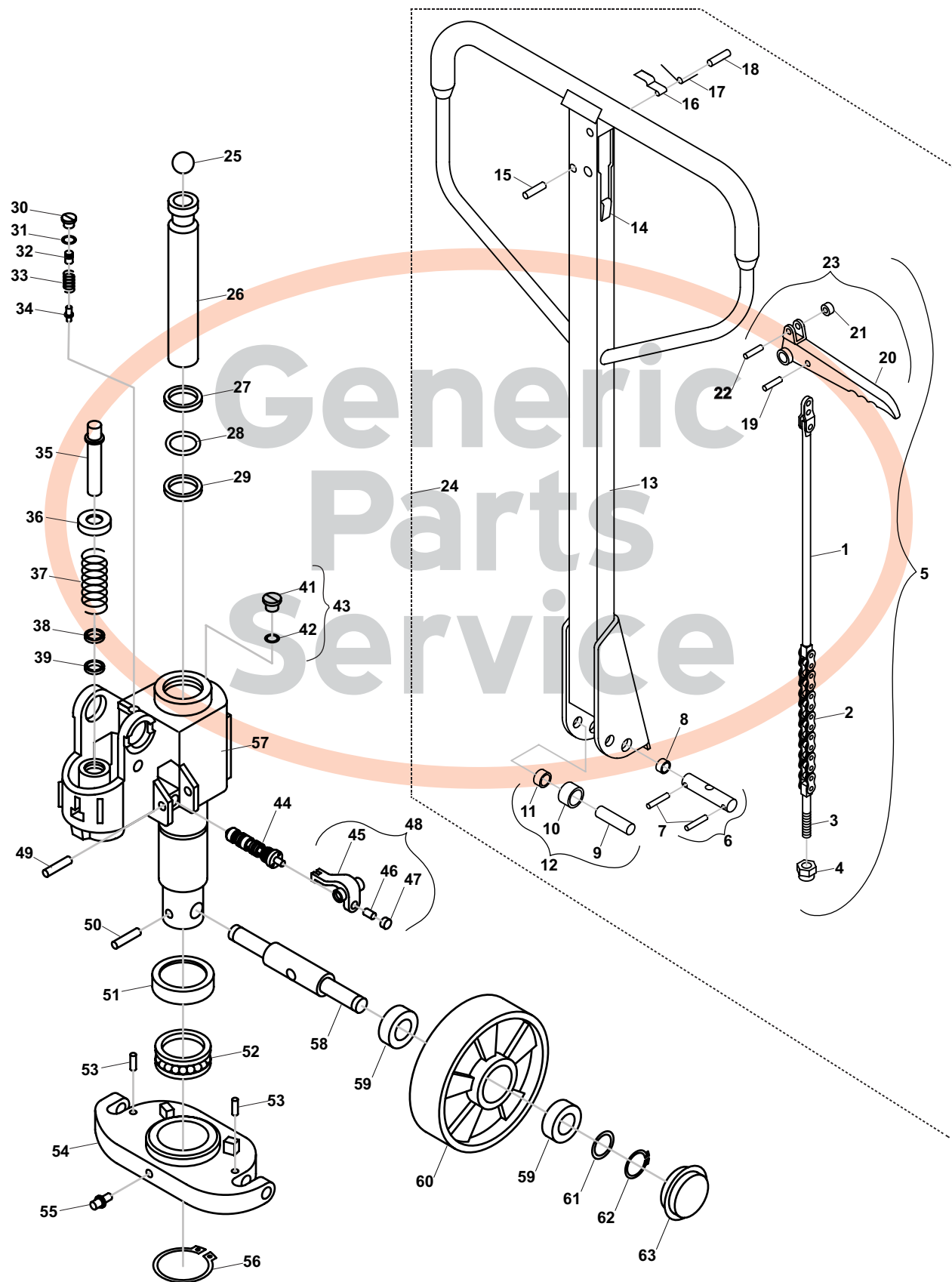
Item	Part No.	Description
17	270020	Exit Roller, Intermediate
18	270022	Exit Roller
19	270023	Roll Pin
20	270024	Roll Pin
21	270026	Pivot Axle
22	270027	Load Wheel Bracket
23	272325	Bearing
24	272662	Load Wheel Assembly, Black Ultra Poly on Steel Hub W/ Bearings
	272662-D	Load Wheel Assembly, Red Ultra Poly on Aluminum Hub W/ Bearings
	272662-N	Load Wheel Assembly, Nylon W/ Bearings
	272662-S	Load Wheel Assembly, Solid Steel W/ Bearings
	GWK-CPI-LW	Load Wheel Kit, (2) Black Ultra-Poly Load Roller Assemblies (70D) W/ Bearings, Axles and Fasteners
25	270030	Load Wheel Axle
26	270031	Roll Pin
27	272331	Bolt
28	272327	Entry Roller
29	272326	Lock Nut

Load Wheel Kit



Wesco CPI Hydraulic Unit

(Model Numbers: 272655, 272656, 272657, 272658, 272659, 272660)



Wesco CPI Hydraulic Unit

(Model Numbers: 272655, 272656, 272657, 272658, 272659, 272660)

Item	Part No.	Description
1	A101	Release Rod
2	A102	Chain & Adjustment Bolt, Includes 2 & 3
3	A103	Adjusting Bolt
4	A104	Adjusting Nut
5	270060	Handle Release Assy, Includes 1-4 & 19-22
6	270004	Handle Axle, Includes 6 & 7
7	A106	Elastic Pin
8	273008	Bushing
9	A108	Roller Pin
10	A109	Pressure Roller
11	A109A	Bushing
12	270005	Pressure Roller Assembly, Includes 9, 10 & 11
13	A110	Handle
14	A111	Stop Rubber
15	A112	Roll Pin
16	A113	Blade Spring
17	A114	Spring
18	A115	Roll Pin
19	A116	Roll Pin
20	A117	Control Handle
21	A118	Roller
22	A119	Elastic Pin
23	272791	Control Handle Kit, Includes 20, 21 & 22
24	270007	Handle Assembly Complete, Incl. 1-5, 8-23
25	270059	Steel Ball
26	270058	Piston Rod
27	A A327	Wiper
28	A A326	O-Ring
29	A A325	U-cup
30	A330	Screw Plug
31	A A331	O-Ring
32	A332	Adjustment
33	A333	Overload Spring
34	A334	Overload Valve
35	270035	Pump Piston
36	270032	Spring Cap
37	270033	Spring
38	A A304	Wiper
39	A A305	U-cup
41	A324	Screw Plug
42	A A323	Seal Washer
43	270057	Screw Plug Kit
44	272664	Valve Cartridge
45	A319	Release Lever
46	A318	Adjustment Screw

Item	Part No.	Description
47	A317	Nut
48	270050	Release Lever Assembly, Includes 45-47
49	270053	Roll Pin
50	270038	Roll Pin
51	276011	Bearing Cover
52	272100	Thrust Bearing
53	270041	Roll Pin
54	270043	Traverse
55	A338	Lube Fitting
56	270044	Retaining Ring
57	272661	Hydraulic Pump Complete
58	270045	Steer Wheel Axle
59	272325	Bearing
60	272663-ST	Steer Wheel Assembly, Black Poly on Nylon Hub, W/ Bearings
	272663-HD	Steer Wheel Assembly, Red Ultra Poly on Aluminum Hub, W/ Bearings
	272663-N	Steer Wheel Assembly, Nylon, W/ Bearings
	272663-S	Steer Wheel Assembly, Solid Steel, W/ Bearings
	GWK-CPI-CK	Complete Wheel Kit (2) Ultra-Poly Load Roller Assemblies (70D) (2) Poly Steer Wheel Assemblies, W/ Bearings, Axles & Fasteners
61	270037	Washer
62	270036	Snap Ring
63	272665	Hub Cap
	KIT A 270061	Seal Kit

Complete Wheel Kit



Load Wheel Kits for Electric Pallet Trucks

Load Wheel Kit

- easy to install
- cost effective

XL Load Wheel Kit



Includes:
(2) Poly Load Wheel Assemblies (95A),
W/ Bearings, Axles & Fasteners



Includes:
(2) XL-Poly Load Wheel Assemblies
(97A), W/ Bearings, Axles & Fasteners

for Electric Lift Trucks

Brand	Model	Item No.	Item No.
Baker	EW60	GWK-EW60-LW	GWK-EW60-LW-XL
	EW80	GWK-EW80-LW	GWK-EW80-LW-XL
	EWR	GWK-EWR-LW	GWK-EWR-LW-XL
	EWR60	GWK-EWR60-LW	GWK-EWR60-LW-XL
	EWR80	GWK-EWR80-LW	GWK-EWR80-LW-XL
Barrett	RPX60B	GWK-RPX60B-LW	GWK-RPX60B-LW-XL
	RPX80B	GWK-RPX80B-LW	GWK-RPX80B-LW-XL
Big Joe	D40	GWK-D40-LW	GWK-D40-LW-XL
	E30	GWK-E30-LW	GWK-E30-LW-XL
	WPT45	GWK-WPT45-LW	GWK-WPT45-LW-XL
Blue Giant	EPJ30	GWK-EPJ30-LW	Not Available
	EPJ40	GWK-EPJ40-LW	GWK-EPJ40-LW-XL
	EPJ45	GWK-EPJ45-LW	GWK-EPJ45-LW-XL
	EPJ60R	GWK-EPJ60R-LW	GWK-EPJ60R-LW-XL
BT Primemover	PMX	GWK-PMX-LW	GWK-PMX-LW-XL
	PMX1	GWK-PMX1-LW	GWK-PMX1-LW-XL
	PMX45	GWK-PMX45-LW	GWK-PMX45-LW-XL
	SMX45	GWK-SMX45-LW	GWK-SMX45-LW-XL
Cat	NPP40	GWK-NPP40-LW	Not Available
	NPP60	GWK-NPP60-LW	GWK-NPP60-LW-XL
	WR6000	GWK-WR6000-LW	GWK-WR6000-LW-XL
Clark	WPT45	GWK-WPT45-LW	GWK-WPT45-LW-XL
	WPX45	GWK-WPX45-LW	GWK-WPX45-LW-XL

Order online at www.GenericParts.com

Be sure to use your Account # to see your prices and shipping costs.

Load Wheel Kits for Electric Pallet Trucks

for Electric Lift Trucks

Brand	Model	Item No.	Item No.
Crown	20MT	GWK-20MT-LW	Not Available
	PE4000	GWK-PE4000-LW	GWK-PE4000-LW-XL
	PE4500	GWK-PE4500-LW	GWK-PE4500-LW-XL
	ST3000	GWK-ST3000-LW	Not Available
	SX3000	GWK-SX3000-LW	GWK-SX3000-LW-XL
	WP 2000	GWK-WP2000-LW	GWK-WP2000-LW-XL
	WP 2300	GWK-WP2300-LW	GWK-WP2300-LW-XL
	WP 3000	GWK-WP3000-LW	GWK-WP3000-LW-XL
Hyster	B60Z	GWK-B60Z-LW	GWK-B60Z-LW-XL
	B60ZHD	GWK-B60ZHD-LW	GWK-B60ZHD-LW-XL
	B80Z	GWK-B80Z-LW	GWK-B80Z-LW-XL
	B80ZHD	GWK-B80ZHD-LW	GWK-B80ZHD-LW-XL
	W40XL / W40XT	GWK-W40XT-LW	GWK-W40XT-LW-XL
	W40Z	GWK-W40Z-LW	GWK-W40Z-LW-XL
	W45Z-HD	GWK-W45ZHD-LW	GWK-W45ZHD-LW-XL
	W45XT	GWK-W45XT-LW	GWK-W45XT-LW-XL
	W50Z	GWK-W50Z-LW	GWK-W50Z-LW-XL
	W60Z	GWK-W60Z-LW	GWK-W60Z-LW-XL
	W65Z	GWK-W65Z-LW	GWK-W65Z-LW-XL
	W80Z	GWK-W80Z-LW	GWK-W80Z-LW-XL
Jungheinrich	EJE120	GWK-EJE120-LW	GWK-EJE120-LW-XL
Mitsubishi	PW23	GWK-PW23-LW	Not Available
Multiton	EJE120	GWK-EJE120-LW	GWK-EJE120-LW-XL
Nissan	RPX60N	GWK-RPX60N-LW	GWK-RPX60N-LW-XL
	RPX80N	GWK-RPX80N-LW	GWK-RPX80N-LW-XL
Primemover	see BT Primemover		
Raymond	102XM	GWK-102XM-LW	GWK-102XM-LW-XL
	112	GWK-112-LW	GWK-112-LW-XL
	8210	GWK-8210-LW	GWK-8210-LW-XL
	8300	GWK-8300-LW	GWK-8300-LW-XL
	8310	GWK-8310-LW	GWK-8310-LW-XL
	8400	GWK-8400-LW	GWK-8400-LW-XL
	8410	GWK-8410-LW	GWK-8410-LW-XL
	8500	GWK-8500-LW	GWK-8500-LW-XL
	8510	GWK-8510-LW	GWK-8510-LW-XL
	8900 Series	GWK-8900-LW	GWK-8900-LW-XL

Order online at www.GenericParts.com

Be sure to use your Account # to see your prices and shipping costs.

Load Wheel Kits for Electric Pallet Trucks

for Electric Lift Trucks

Brand	Model	Load Wheel Kit Item No.	XL-Load Wheel Kit Item No.	
Toyota	6HBE30	GWK-6HBE30-LW	GWK-6HBE30-LW-XL	
	6HBW20	GWK-6HBW20-LW	GWK-6HBW20-LW-XL	
	6HBW23	GWK-6HBW23-LW	GWK-6HBW23-LW-XL	
	6HBW30	GWK-6HBW30-LW	GWK-6HBW30-LW-XL	
	7HBC30	GWK-7HBC30-LW	GWK-7HBC30-LW-XL	
	7HBE30	GWK-7HBE30-LW	GWK-7HBE30-LW-XL	
	7HBW23	GWK-7HBW23-LW	GWK-7HBW23-LW-XL	
	7HBW30	GWK-7HBW30-LW	GWK-7HBW30-LW-XL	
	8HBE30	GWK-8HBE30-LW	GWK-8HBE30-LW-XL	
	8HBW23	GWK-8HBW23-LW	GWK-8HBW23-LW-XL	
	8HBW30	GWK-8HBW30-LW	GWK-8HBW30-LW-XL	
	UniCarriers	2W7	GWK-2W7-LW	GWK-2W7-LW-XL
		WLX	GWK-WLX-LW	GWK-WLX-LW-XL
Yale	MPB030AB	GWK-MPB030AB-LW	GWK-MPB030AB-LW-XL	
	MPB040AB	GWK-MPB040AB-LW	GWK-MPB040AB-LW-XL	
	MPB040AC	GWK-MPB040AC-LW	GWK-MPB040AC-LW-XL	
	MPB040E	GWK-MPB040E-LW	GWK-MPB040E-LW-XL	
	MPB045VG	GWK-MPB045VG-LW	GWK-MPB045VG-LW-XL	
	MPE060E (A896 Series)	GWK-MPE060E-LW	GWK-MPE060E-LW-XL	
	MPE060VG	GWK-MPE060VG-LW	GWK-MPE060VG-LW-XL	
	MPE080E (A890 Series)	GWK-MPE080E-LW	GWK-MPE080E-LW-XL	
	MPE080VG	GWK-MPE080VG-LW	GWK-MPE080VG-LW-XL	
	MPW045E	GWK-MPW045E-LW	GWK-MPW045E-LW-XL	
	MPW050E	GWK-MPW050E-LW	GWK-MPW050E-LW-XL	
	MPW060E (A897 Series)	GWK-MPW060E-LW	GWK-MPW060E-LW-XL	
	MPW065E	GWK-MPW065E-LW	GWK-MPW065E-LW-XL	

Load Wheel Kits for Electric Pallet Trucks



Order online at www.GenericParts.com

Be sure to use your Account # to see your prices and shipping costs.

Electric Quick Wheel LookUp

Part Number	Description	Duro-meter	Wheel O.D.	Tread Width	Hub Width	Hub ID	Bearing ID	Bearing Number
BIG JOE WPT45								
BJ 1120-200001-00	Drive Tire - Vulkolan	95A	9.000	6.500	7.500	n/a	n/a	n/a
BJ 1120-133000-10	Load Wheel	95A	3.250	4.500	4.500	52mm	25mm	BS 6205 2RS
BJ 1120-133000-10-XL	Load Wheel	97A	3.250	4.500	4.500	52mm	25mm	BS 6205 2RS
BJ 1120-143003-00	Caster Wheel	95A	3.000	2.000	2.000	47mm	20mm	BS 6204 LL
CROWN WP 2000								
CR 123603	Poly Load Wheel	95A	3.250	4.500	4.500	55mm	-	-
CR 123603-A	Poly Load Wheel Assembly	95A	3.250	4.500	4.500	55mm	25mm	BS 6006 2RS
CR 123603-XL	Poly Load Wheel	97A	3.250	4.500	4.500	55mm	-	-
CR 123603-XL-A	Poly Load Wheel Assembly	97A	3.250	4.500	4.500	55mm	25mm	BS 6006 2RS
CR 75715-010	Poly Drive Tire, Smooth Flat	95A	10.000	4.000	4.000	6.500	-	-
CR 75715-010-XL	Poly Drive Tire, Smooth Flat	97A	10.000	4.000	4.000	6.500	-	-
CR 127249	Poly Drive Tire, Smooth Flat, Includes Hub	95A	10.000	4.000	4.000	6.500	-	-
CR 127249-XL	Poly Drive Tire, Smooth Flat, Includes Hub	97A	10.000	4.000	4.000	6.500	-	-
CR 127251	Rubber Drive Tire, Smooth Flat	80A	10.000	4.000	4.000	6.500	-	-
CR 127248-001	Rubber Drive Tire, Smooth Flat, Includes Hub	80A	10.000	4.000	4.000	6.500	-	-
CR 127250	Drive Tire Hub	-	-	-	-	-	-	-
CR 805888-010	Caster Wheel Assembly, Includes Bearings	95A	3.500	1.750	1.750	47.000	20mm	BS 6204 LL
CR 805888-010-XL-A	Caster Wheel Assembly, Includes Bearings	97A	3.500	1.750	1.750	47.000	20mm	BS 6204 LL
CROWN WP 2300 & WP 3000								
CR 813015	Poly Load Wheel	95A	3.250	4.500	4.500	55mm	-	-
CR 813014	Poly Load Wheel Assembly	95A	3.250	4.500	4.500	55mm	-	-
CR 813015-XL	Poly Load Wheel	97A	3.250	4.500	4.500	55mm	-	-
CR 813014-XL	Poly Load Wheel Assembly	97A	3.250	4.500	4.500	55mm	-	-
CR 75715-010-XL-XG	Poly Drive Tire, X Groove	97A	10.000	3.500	4.000	6.500	-	-
CR 127249	Poly Drive Tire, Smooth Flat, Includes Hub	95A	10.000	4.000	4.000	6.500	-	-
CR 127249-XL	Poly Drive Tire, Smooth Flat, Includes Hub	97A	10.000	4.000	4.000	6.500	-	-
CR 127251	Rubber Drive Tire, Smooth Flat	80A	10.000	4.000	4.000	6.500	-	-
CR 127248-001	Rubber Drive Tire, Smooth Flat, Includes Hub	80A	10.000	4.000	4.000	6.500	-	-
CR 127250	Drive Tire Hub	-	-	-	-	-	-	-
CR 813128	Caster Wheel Assembly, Includes Bearings	95A	3.500	1.750	2.000	47mm	20mm	BS 6204 LL
CR 813128-XL-A	Caster Wheel Assembly, Includes Bearings	97A	3.500	1.750	2.000	47mm	20mm	BS 6204 LL
CR 805887-003	Caster Assy Complete, Inc. Bearing & Housing							
CR 813129	Poly Caster Wheel 95A							
CR 813128	Poly Caster Wheel Assembly 95A							
CROWN PE 4000								
CR 100462	Poly Load Wheel	95A	3.250	6.500	6.500	52 mm	-	-
CR 100462-A	Poly Load Wheel Assembly	95A	3.250	6.500	6.500	52 mm	25mm	BS 6205 2RS + Spacer
CR 100462-XL	Poly Load Wheel	97A	3.250	6.500	6.500	52 mm	-	-
CR 100462-XL-A	Poly Load Wheel Assembly	97A	3.250	6.500	6.500	52 mm	25mm	BS 6205 2RS + Spacer
CR 100462-KIT	Triple Wheel Kit (Incl. 3 Poly Load Wheels & Brgs.)	95A	3.250	2.000	2.000	52mm	25mm	BS 8505

Electric Quick Wheel LookUp (continued)

Part Number	Description	Duro-meter	Wheel O.D.	Tread Width	Hub Width	Hub ID	Bearing ID	Bearing Number
CR 100462-KIT-XL	Triple Wheel Kit (Incl. 3 Poly Load Wheels & Brgs.)	97A	3.250	2.000	2.000	52mm	25mm	BS 8505
CR 77084	Poly Dual Load Wheel	95A	3.250	3.250	3.250	52 mm	-	-
CR 77084-XL-A	Poly Dual Load Wheel	97A	3.250	3.250	3.250	52mm	-	-
CR 092537	Poly Dual Load Wheel Assembly	97A	3.250	3.250	3.250	52 mm	-	-
CR 092537-XL	Poly Dual Load Wheel Assembly	95A	3.250	3.250	3.250	52mm	-	-
CR 77086	Poly Tandem Load Wheel	95A	3.250	5.000	5.000	52mm	-	-
CR 77086-A	Poly Tandem Load Wheel Assembly	95A	3.250	5.000	5.000	52mm	25mm	BS 6205 2RS
CR 77086-XL	Poly Tandem Load Wheel	97A	3.250	5.000	5.000	52mm	-	-
CR 77086-XL-A	Poly Tandem Load Wheel Assembly	97A	3.250	5.000	5.000	52mm	25mm	BS 6205 2RS
CR 79494	Poly Drive Tire, Smooth Flat	95A	13.000	4.500	4.500	8.000	-	-
CR 79494-XL	Poly Drive Tire, Smooth Flat	97A	13.000	4.500	4.500	8.000	-	-
CR 74458	Rubber Drive Tire, Smooth Flat	80A	13.500	5.500	4.500	8.000	-	-
CR 113361	Hub							
CR 83179-050	Poly Caster Wheel Assembly	95A	4.000	2.500	2.500	52mm	25mm	BS 6205 2RS, Ext. Race
CR 83179-050-XL-A	Poly Caster Wheel Assembly	97A	4.000	2.500	2.500	52mm	25mm	BS 6205 2RS, Ext. Race
HYSTER W40XL / W40 XT								
HY 3005911	Poly Load Wheel	95A	3.250	4.500	4.500	40mm	-	-
HY 3005911-A	Poly Load Wheel Assembly	95A	3.250	4.500	4.500	40mm	17mm	BS 6203 17MM 2RS
HY 3005911-XL	Poly Load Wheel	97A	3.250	4.500	4.500	40mm	-	-
HY 3005911-XL-A	Poly Load Wheel Assembly	97A	3.250	4.500	4.500	40mm	17mm	BS 6203 17MM 2RS
HY 2308227	Poly Drive Tire, Smooth Flat	95A	9.000	5.000	5.000	5.000	-	-
HY 2308227-XL	Poly Drive Tire, Smooth Flat	97A	9.000	5.000	5.000	5.000	-	-
HY 2309963	Rubber Drive Tire, Smooth Flat	80A	9.000	5.000	5.000	5.000	-	-
HY 4604180	Rubber Drive Tire, Smooth Flat							
HY 2308186	Drive Tire Hub	-	-	-	-	-	-	-
HY 2302730-A	Poly Load Wheel & Riser Assembly	95A	3.250	4.500	4.500	40mm	17mm	BS 6203 17MM 2RS
HYSTER W40Z								
HY 2046054	Poly Load Wheel	95A	3.250	4.500	4.500	52mm	-	-
HY 2046054-A	Poly Load Wheel Assembly with String Guards	95A	3.250	4.500	4.500	52mm	17mm	BS 6205 + String Guards
HY 2046054-XL	Poly Load Wheel	97A	3.250	4.500	4.500	52mm	-	-
HY 2046054-XL-A	Poly Load Wheel Assembly with String Guards	97A	3.250	4.500	4.500	52mm	17mm	BS 6205 + String Guards
HY 2043251	Poly Load Wheel and Riser Assembly	95A	3.250	4.500	4.500	52mm	17mm	BS 6205 + String Guards
HY 2045112	Poly Drive Tire, Smooth Flat, Includes Hub	95A	9.000	5.000	5.000	5.000	-	-
HY 2045112-XL	Poly Drive Tire, Smooth Flat, Includes Hub	97A	9.000	5.000	5.000	5.000	-	-
HY 2045107	Rubber Drive Tire, Smooth Flat, Includes Hub	80A	9.000	5.000	5.000	5.000	-	-
HY 2049428	Drive Tire Hub	NA	NA	NA	2.750	5.000	NA	NA
PRIME MOVER SMX45								
PR 312636-000	Poly Load Wheel	95A	3.250	4.000	4.500	52mm	-	-
PR 312636-000-A	Poly Load Wheel Assembly	95A	3.250	4.000	4.500	52mm	25mm	BS 6205 2RS
PR 312636-000-XL	Poly Load Wheel	97A	3.250	4.000	4.500	52mm	-	-
PR 312636-000-XL-A	Poly Load Wheel Assembly	97A	3.250	4.000	4.500	52mm	25mm	BS 6205 2RS

Electric Quick Wheel LookUp (continued)

Part Number	Description	Duro-meter	Wheel O.D.	Tread Width	Hub Width	Hub ID	Bearing ID	Bearing Number
PR 312678-002	Poly Drive Tire, Smooth Flat	95A	10.000	4.000	5.000	6.500	-	-
PR 312678-002-XL	Poly Drive Tire, Smooth Flat	97A	10.000	4.000	5.000	6.500	-	-
PR 312678-000	Rubber Drive Tire, Smooth Flat	80A	10.000	4.000	5.000	6.500	-	-
PR 312895-000	Drive Tire Hub	-	-	-	-	-	-	-
PR 313945-000	Caster Wheel Assembly, Includes Bearings	95A	2.500	2.375	2.375	35mm	.50 inch	BS 1621 2RS
PR 313945-000-XL	Caster Wheel Assembly, Includes Bearings	97A	2.500	2.375	2.375	35mm	.50 inch	BS 1621 2RS

RAYMOND 102XM

RA 939-353-047	Poly Load Wheel	95A	3.250	4.000	4.500	52mm	-	-
RA 939-353-047-A	Poly Load Wheel Assembly	95A	3.250	4.000	4.500	52mm	25mm	BS 6205 2RS
RA 939-353-047-XL	Poly Load Wheel	97A	3.250	4.000	4.500	52mm	-	-
RA 939-353-047-XL-A	Poly Load Wheel Assembly	97A	3.250	4.000	4.500	52mm	25mm	BS 6205 2RS
RA 632-090	Poly Drive Tire, Smooth Flat	95A	10.000	4.000	5.000	6.500	-	-
RA 632-090-XL	Poly Drive Tire, Smooth Flat	97A	10.000	4.000	5.000	6.500	-	-
RA 630-235	Rubber Drive Tire, Smooth Flat	80A	10.000	4.000	5.000	6.500	-	-
RA 939-353-075	Drive Tire Hub	-	-	-	-	-	-	-
RA 939-353-251	Caster Wheel Assembly, Includes Bearings	95A	2.500	2.375	2.375	35mm	.50 inch	BS 1621 2RS
RA 939-353-251-XL	Caster Wheel Assembly, Includes Bearings	97A	2.500	2.375	2.375	35mm	.50 inch	BS 1621 2RS

RAYMOND 8300, 8400, 8500

RA 632-069	Poly Load Wheel	95A	5.500	5.930	5.930	52mm	-	-
RA 632-069-A	Poly Load Wheel Assembly	95A	5.500	5.930	5.930	52mm	25mm	BS 6205 2RS
RA 632-069-XL	Poly Load Wheel	97A	5.500	5.930	5.930	52mm	-	-
RA 632-069-XL-A	Poly Load Wheel Assembly	97A	5.500	5.930	5.930	52mm	25mm	BS 6205 2RS
RA 632-071	Poly Tandem Load Wheel	95A	3.250	4.200	4.200	52mm	-	-
RA 632-071-A	Poly Tandem Load Wheel Assembly	95A	3.250	4.200	4.200	52mm	25mm	BS 6205 2RS
RA 632-071-XL	Poly Tandem Load Wheel	97A	3.250	4.200	4.200	52mm	-	-
RA 632-071-XL-A	Poly Tandem Load Wheel Assembly	97A	3.250	4.200	4.200	52mm	25mm	BS 6205 2RS
RA 632-076	Poly Split Load Wheel	95A	3.250	2.000	2.000	52mm	-	-
RA 632-076-A	Poly Split Load Wheel Assembly	95A	3.250	2.000	2.000	52mm	25mm	BS 6205 2RS
RA 632-076-XL	Poly Split Load Wheel	97A	3.250	2.000	2.000	52mm	-	-
RA 632-076-XL-A	Poly Split Load Wheel Assembly	97A	3.250	2.000	2.000	52mm	25mm	BS 6205 2RS
RA 950-WHL-KIT	Triple Wheel Kit (Incl. 3 Poly Load Wheels & Brgs.)	95A	3.250	1.875	1.875	52mm	25mm	BS 6205 2RS & 8505 2RS
RA 950-WHL-KIT-XL	Triple Wheel Kit (Incl. 3 Poly Load Wheel Assemblies & Brgs.)	97A	3.250	1.875	1.875	52mm	25mm	BS 6205 2RS & 8505 2RS
RA 632-091	Poly Drive Tire, Smooth Flat	95A	10.000	4.000	5.000	6.500	-	-
RA 632-091-XL	Poly Drive Tire, Smooth Flat	97A	10.000	4.000	5.000	6.500	-	-
RA 632-229	Rubber Drive Tire, Smooth Flat	80A	10.000	4.000	5.000	6.500	-	-
RA 850-138-111	Drive Tire Hub	-	-	-	-	-	-	-
RA 671-041-A	Caster Wheel Assembly, Includes Bearings	95A	3.000	3.250	3.500	47mm	.75 inch	BS 6204 3/4
RA 671-041-XL-A	Caster Wheel Assembly, Includes Bearings	97A	3.000	3.250	3.500	47mm	.75 inch	BS 6204 3/4
RA 632-421/CR7	Caster Wheel Assembly, Includes Bearings	95A	4.000	2.250	2.500	52mm	25mm	BS 6205 2RS
RA 632-421/CR7-XL	Caster Wheel Assembly, Includes Bearings	97A	4.000	2.250	2.500	52mm	25mm	BS 6205 2RS

Electric Quick Wheel LookUp (continued)

Part Number	Description	Duro-meter	Wheel O.D.	Tread Width	Hub Width	Hub ID	Bearing ID	Bearing Number
TOYOTA 7HBW23								
TO 00590-47623-71	Poly Load Wheel	95A	3.250	4.000	4.500	52mm	-	-
TO 00590-47623-71-A	Poly Load Wheel Assembly	95A	3.250	4.000	4.500	52mm	25mm	BS 6205 2RS
TO 00590-47623-71-XL	Poly Load Wheel	97A	3.250	4.000	4.500	52mm	-	-
TO 00590-47623-71-XL-A	Poly Load Wheel Assembly	97A	3.250	4.000	4.500	52mm	25mm	BS 6205 2RS
TO 00590-46881-71	Poly Drive Tire, Smooth Flat	95A	10.000	4.000	5.000	6.500	-	-
TO 00590-46881-71-XL	Poly Drive Tire, Smooth Flat	97A	10.000	4.000	5.000	6.500	-	-
TO 00590-46883-71	Rubber Drive Tire, Smooth Flat	80A	10.000	4.000	5.000	6.500	-	-
TO 00590-43421-71	Drive Tire Hub	-	-	-	-	-	-	-
TO 00590-43318-71	Caster Wheel Assembly, Includes Bearings	95A	2.500	2.375	2.375	35mm	.50 inch	BS 1621 2RS
TO 00590-43318-71-XL	Caster Wheel Assembly, Includes Bearings	97A	2.500	2.375	2.375	35mm	.50 inch	BS 1621 2RS

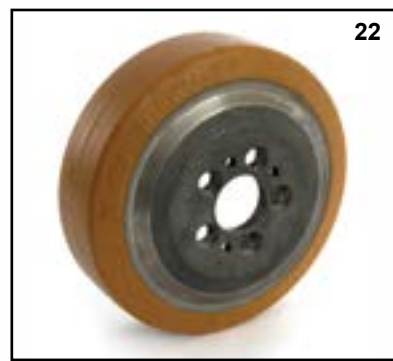
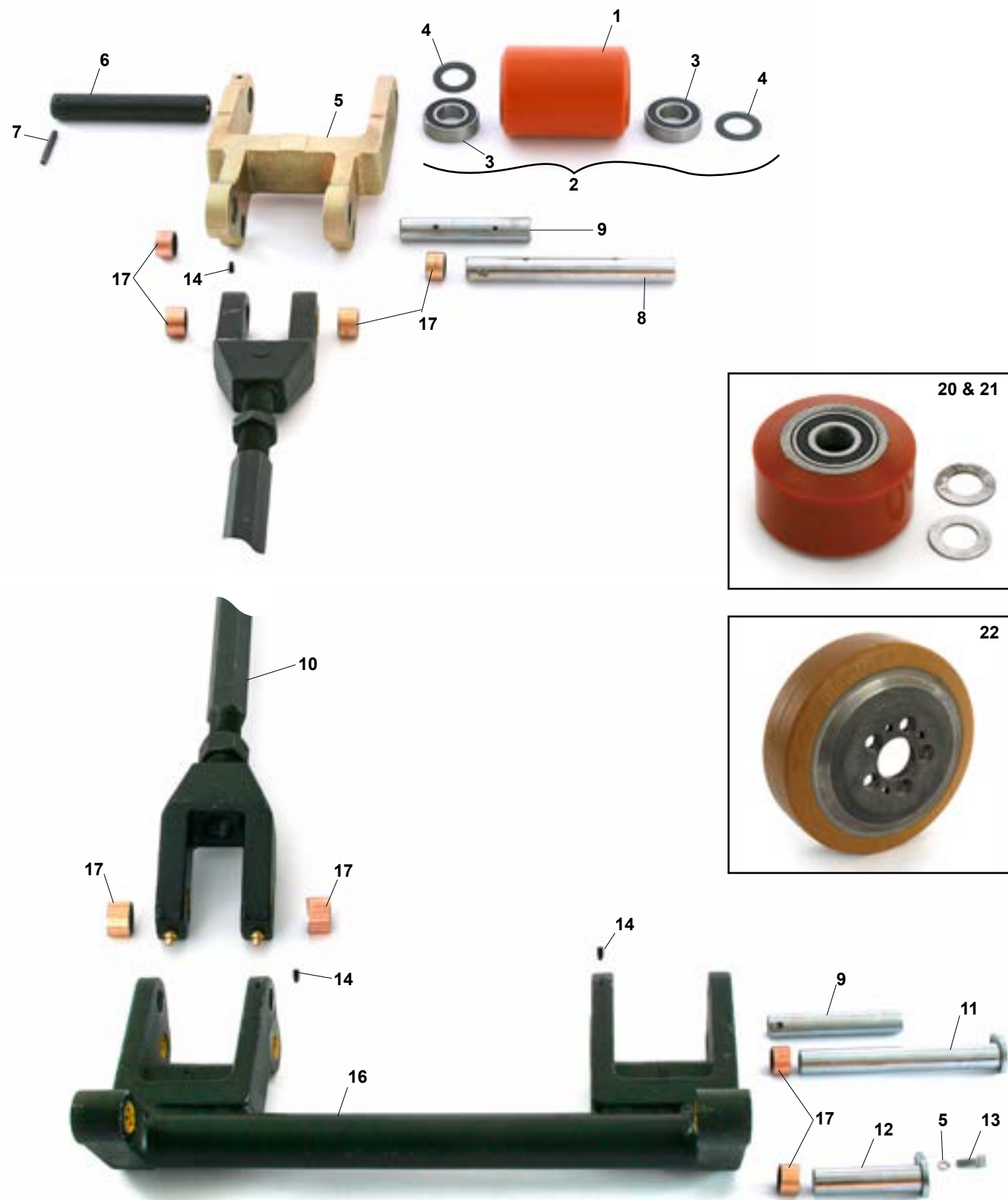
YALE MP/MPB 040 AC

YL 065269600	Poly Load Wheel	95A	3.250	4.500	4.500	40mm	-	-
YL 065269600-A	Poly Load Wheel Assembly	95A	3.250	4.500	4.500	40mm	17mm	BS 6203 17MM 2RS
YL 065269600-XL	Poly Load Wheel	97A	3.250	4.500	4.500	40mm	-	-
YL 065269600-XL-A	Poly Load Wheel Assembly	97A	3.250	4.500	4.500	40mm	17mm	BS 6203 17MM 2RS
YL 501776904	Poly Drive Tire, Smooth Flat	95A	9.000	5.000	5.000	5.000	-	-
YL 501776904-XL	Poly Drive Tire, Smooth Flat	97A	9.000	5.000	5.000	5.000	-	-
YL 517580811	Rubber Drive Tire, Smooth Flat	80A	9.000	5.000	5.000	5.000	-	-
YL 501087300	Drive Tire Hub	-	-	-	-	-	-	-
YL 643182400-A	Poly Load Wheel & Riser Assembly	95A	3.250	4.500	4.500	40mm	17mm	BS 6203 17MM 2RS

YALE MPB 040 E (B827)

YL 524148750	Poly Load Wheel	95A	3.250	4.500	4.500	52mm	-	-
YL 524148750-A	Poly Load Wheel Assembly with String Guards	95A	3.250	4.500	4.500	52mm	17mm	BS 6205 + String Guards
YL 524148750-XL	Poly Load Wheel	97A	3.250	4.500	4.500	52mm	-	-
YL 524148750-XL-A	Poly Load Wheel Assembly with String Guards	97A	3.250	4.500	4.500	52mm	17mm	BS 6205 + String Guards
YL 524143966	Poly Load Wheel and Riser Assembly	95A	3.250	4.500	4.500	52mm	17mm	BS 6205 + String Guards
YL 524142925	Poly Drive Tire, Smooth Flat, Includes Hub	95A	9.000	5.000	5.000	5.000	-	-
YL 524142925-XL	Poly Drive Tire, Smooth Flat, Includes Hub	97A	9.000	5.000	5.000	5.000	-	-
YL 524142926	Rubber Drive Tire, Smooth Flat, Includes Hub	80A	9.000	5.000	5.000	5.000	-	-

Big Joe WPT 45 Wheel and Lift Linkage



Big Joe WPT 45 Wheel and Lift Linkage

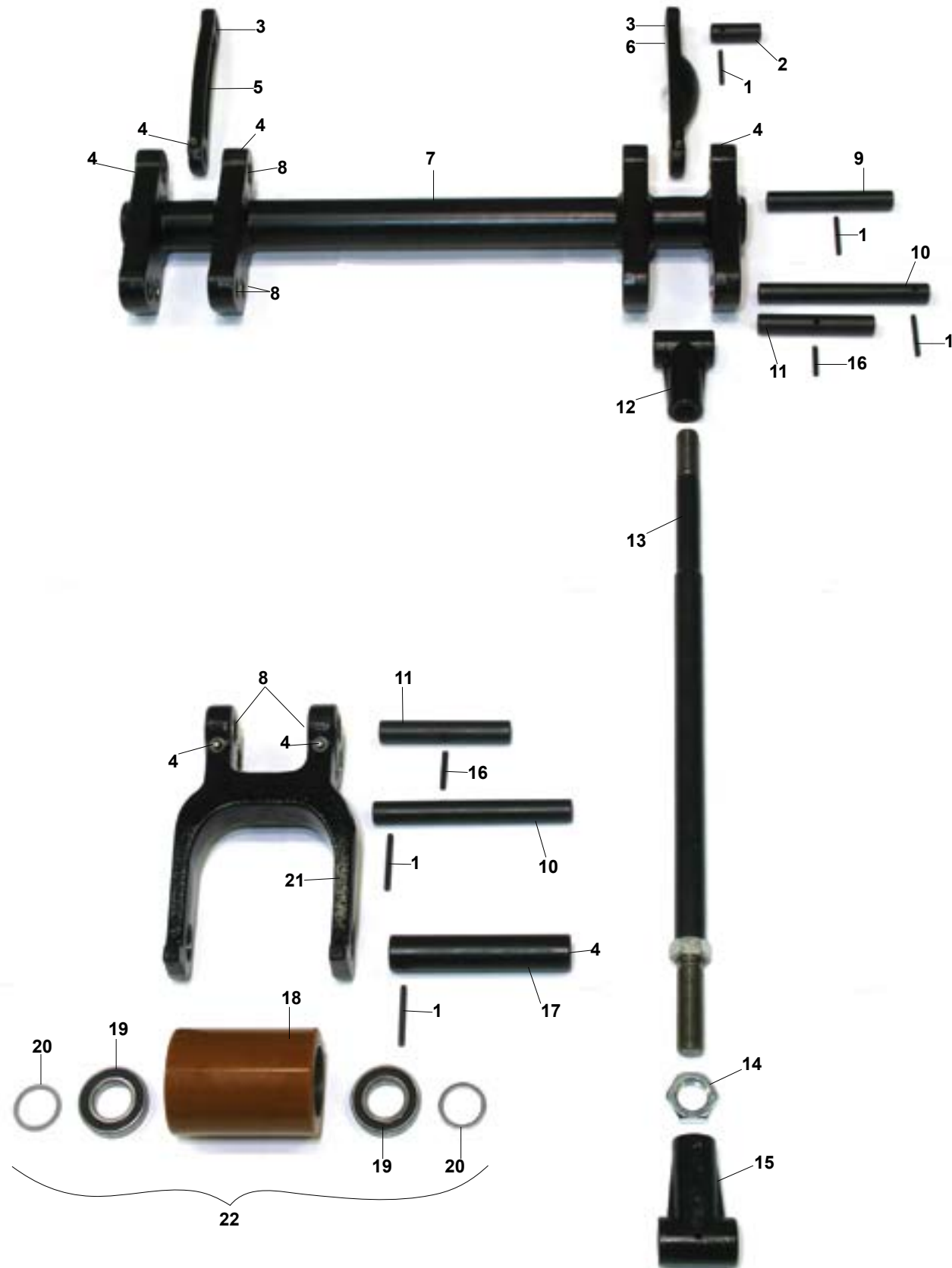
Item	Part No.	Description
1	1120-133003-10	Load Wheel, 95-A High Load
2	1120-133003-10-A	Load Wheel Assy, 95-A High Load W/ Bearings, Includes Items 1 and 3
3	0000-000100-00	Bearing, 2RS
4	0000-000101-00	Washer Shim
5	1120-13008-00	Load Wheel Bracket W/ Bushings
6	1120-130010-10	Shaft (Load Wheel)
7	0000-00414-00	Roll Pin
8	1120-130007-00	Pivot Shaft
9	1120-130006-00	Shaft (Push Rod)
10	1120-132000-1A	Tension Bar, 27" x 48" Forks
11	1120-131000-00	Shaft, Long Weldment

Item	Part No.	Description
12	1120-130004-00	Shaft, Short Weldment
13	0000-000015-00	Screw
14	0000-000016-00	Set Screw
15	0000-000056-00	Lock Washer
16	1220-133000-10	Lower Link
17	0000-000011-00	Bushing
18	1120-134000-00	Shaft Weldment (Upper Link) (Not Shown)
19	1120-130002-00	Upper Link Pivot Shaft (Not Shown)
20	1120-143003-00	Caster Wheel W/ Bearings
21	0000-000162-00	Bearing
22	1120-200001-00	Drive Tire, Vulkollan Poly Mold-On

Load Wheel Kit



Crown WP 2000 Frame and Undercarriage



Crown WP 2000 Frame and Undercarriage

Item	Part No.	Description
1	CR 050000-015	Roll Pin
2	CR 045433	Shaft
3	CR 055084-008	Bushing
4	CR 054011-006	Lube Fitting
5	CR 805761-002	Upper Link Assembly, Includes Bushings, Right Side - 27" Wide Jack
6	CR 805754-002	Upper Link Assembly, Includes Bushings, Left Side - 27" Wide Jack
7	CR 805773-002-04	Lower Link Assembly
8	CR 055084-009	Bushing
9	CR 807097	Shaft
10	CR 045224	Axle
11	CR 045469	Axle
12	CR 045292-001	Tension Bar End Left Hand Thread
13	CR 045482-002-06	Tension Bar (48" Forks), 7.8" Battery Compartment

Item	Part No.	Description
14	CR 060021-019	Nut
15	CR 045292-002	Tension Bar End Right Hand Thread
16	CR 050000-017	Roll Pin
17	CR 045477	Axle
18	CR 123603	Poly Load Wheel 95A Durometer
	CR 123603-XL	Poly Load Wheel 97A Durometer
19	CR 065081-62	Bearing
20	CR 060030-173	Washer
21	CR 805920-002	Riser Assembly Includes Items #4 and #8
22	CR 123603-A	Load Wheel Assembly, 95A Durometer, Includes Items #18, #19 and #20
	CR 123603-XL-A	Load Wheel Assembly, 97A Durometer, Includes Items #18, #19 and #20

Load Wheel Kit



**We also stock
Drive Motors, Controllers,
Switches, Drive Tires and other
Replacement Parts**

Crown WP 2000 Caster Parts



Crown WP 2000 Caster Parts

Item	Part No.	Description
1	CR 808262	Skid Plate
2	CR 050067-043	Screw, Skid Plate
3	CR 805888-010	Poly Caster Wheel Assembly, 95A Durometer, Includes Bearings
	CR 805888-010-XL-A	Poly Caster Wheel Assembly, 97A Durometer, Includes Bearings

Item	Part No.	Description
4	CR 805888-012	Bearing
5	CR 050000-047	Roll Pin
6	CR 805888-009	Wheel Axle
7	CR 805888-008	Pivot Axle
8	CR 805888-001	Caster Assembly



Crown WP 2300 & 3000 Series Frame and Undercarriage



Crown WP 2300 & 3000 Series Frame and Undercarriage

Item	Part No.	Description
1	CR 813014	Poly Load Wheel Assembly 95A, 95A Durometer W/ Bearings and String Guards
	CR 813014-XL	Poly Load Wheel Assembly 97A, 97-A Durometer W/Bearings and String Guards
2	CR 813015	Poly Load Wheel 95A, 95-A Blank Load Wheel
	CR 813015-XL	Poly Load Wheel 97A, 97-A Blank Load Wheel
3	CR 065081-62	Load Wheel Bearing, Rubber Shielded
4	CR 813016	String Guard
5	CR 050009-42	Flatwasher
6	CR 805920-002	Riser Assembly, Includes Bushings and Lube Fitting
7	CR 045477	Load Wheel Axle
8	CR 050000-048	Roll Pin
9	CR 045224	Axle, Riser Assembly to Fork Frame & Bar
10	CR 045469	Axle, Riser Assembly to Tension Bar
11	CR 050000-017	Roll Pin
12	CR 045482-002-06	Tension Bar, Fits 48" Forks W/7.8" Battery Compartment

Item	Part No.	Description
13	CR 045292-002	Tension Bar End- Right Hand
14	CR 060021-019	Nut
15	CR 045292-001	Tension Bar End-Left Hand
16	CR 805773-002-04	Lower Link Assembly, Fits 27" Fork Spread
17	CR 055084-009	Bushings For Lower Link Assembly
18	CR 147557	Plate Pin, Connects Frame to Lower Link Assembly
19	CR 147554	Shaft- 27" Fork Spread, Connects Lower Link To Upper Link Assembly
20	CR 805754-002	Left Upper Link Assembly
21	CR 055084-008	Bushing, Fits Both Left and Right Upper Links
22	CR 054011-006	Lube Fitting, Fits Both Left and Right Upper Links
23	CR 805761-002	Right Upper Link Assembly
24	CR 045433	Upper Link Shaft
25	CR 147560-001	Wear Block, Fits 27" Fork Spread
	CR 147560-002	Wear Block, Fits 18", 20" and 22" Fork Spread
	GWK-WP3000-LW	Load Wheel Kit



Crown WP 2300 & 3000 Series Caster Parts



Crown WP 2300 & 3000 Series Caster Parts

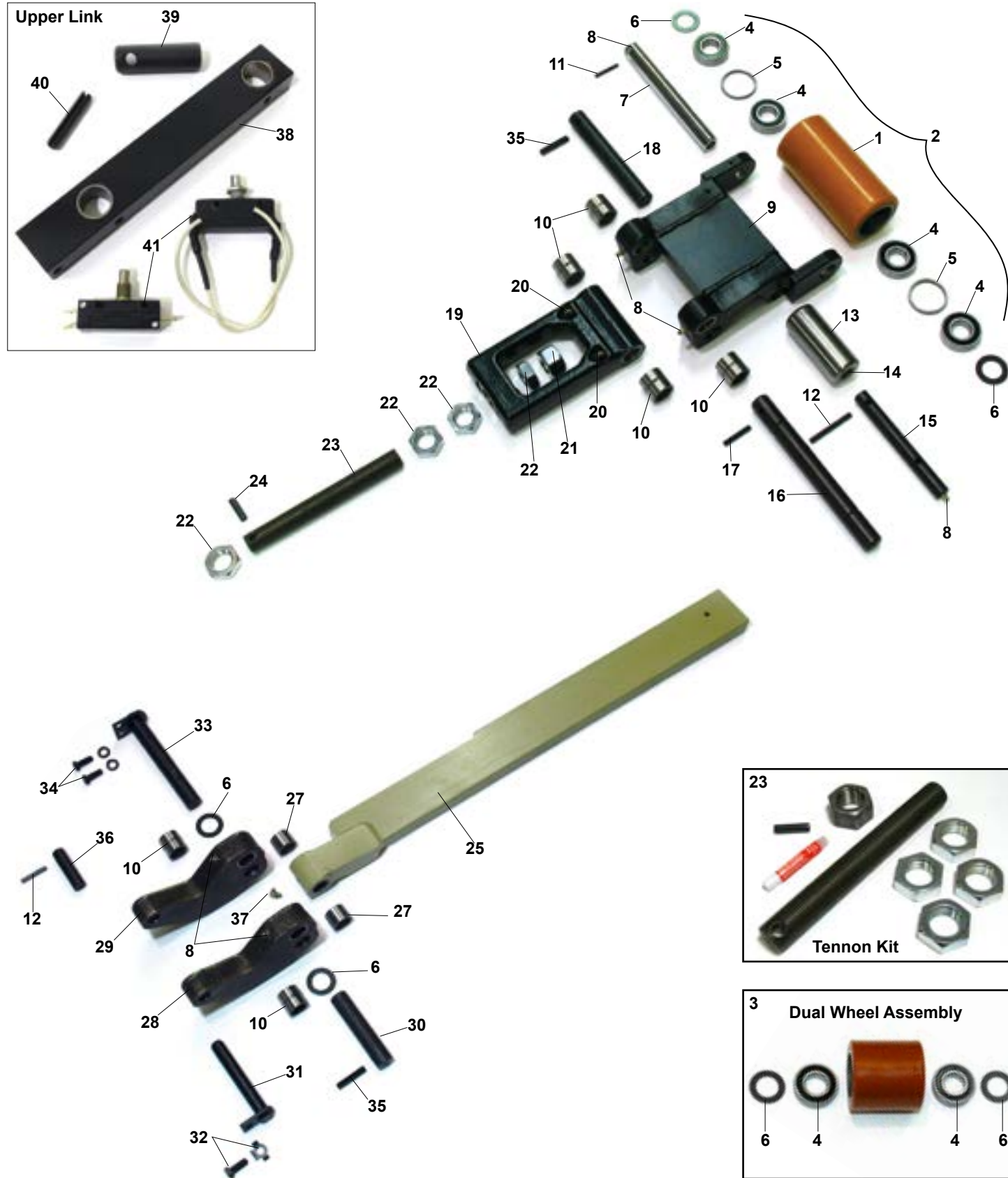
Item	Part No.	Description
	CR 805887-003	Caster Assembly Complete, Includes Bearing & Housing
1	CR 813129	Poly Caster Wheel 95A
2	CR 813128	Poly Caster Wheel Assembly 95A, Includes Bearings & String Guard
3	CR 055002-027	Bearing, Double Sealed
4	CR 810204	String Guard
5	CR 805888-004	Caster Wheel Bracket
6	CR 051058-013	Bushing
7	CR 805888-009	Caster Wheel Axle
8	CR 050000-047	Roll Pin
9	CR 805888-002	Spring

Item	Part No.	Description
10	CR 805888-007	Plate
11	CR 805888-011	Spring
12	CR 805888-003	Screw
13	CR 050008-053	Nut
14	CR 805888-005	Caster Rig
15	CR 050012-048	Retaining Ring
16	CR 055002-022	Bearing
17	CR 805928	Caster Housing
18	CR 050012-049	Retaining Ring
19	CR 805888-008	Shaft
20	CR 050067-044	Screw



CR 805887-003
Caster Assembly
Complete

Crown PE 4000, PE 4500 Series Frame and Undercarriage



Crown PE 4000, PE 4500 Series Frame and Undercarriage

Item	Part No.	Description
	GWK-PE4000-LW	Load Wheel Kit, PE 4000 Series
	GWK-PE4000XL-LW	Load Wheel Kit, Poly 97A
1	CR 100462-035	Load Wheel, High Load
2	CR 100611-035	Load Wheel Assembly, High Load (95-A)
	CR 100611-035-XL	Load Wheel Assembly, Poly XL 97A
3	CR 092537-035	Dual Wheel Assembly
4	CR 065081-021	Bearing
5	CR 100463	Spacer
6	CR 060030-050	Washer
7	CR 116802	Load Wheel Axle
8	CR 100779	Lube fitting
9	CR 115491	Riser
10	CR 065117-001	Bushing HTX
11	CR 060000-081	Roll Pin
12	CR 060000-036	Roll Pin
13	CR 115508	Steel Roller
14	CR 065117-003	Bushing
15	CR 115509	Steel Roller Axle
16	CR 115510	Pivot Axle
17	CR 060000-104	Roll Pin
18	CR 115496	Tension Bar Axle
19	CR 115497	Tension Bar End w/Bushings
20	CR 089297	Lube fitting Body
21	CR 060021-096	Nut

Item	Part No.	Description
22	CR 060021-095	Jam Nut
23	CR 125266-001	Tennon Kit (13.19" Battery Compact) incl. 21, 22, 24 and Thread Adhesive
24	CR 060000-080	Roll Pin
25	To ensure proper part Size, please call with your Serial Number for Tension Bar price and Availability	
27	CR 065117-002	Bushing
28	CR 115517	Outboard Link w/Bushings
29	CR 115516	Inboard Link w/Bushings
30	CR 115515	Axle
31	CR 115521	Shaft
32	CR 060017-007	Screw
	CR 127349	Clip
33	CR 115518	Axle
34	CR 060017-007	Screw
	CR 060005-009	Lockwasher
35	CR 060000-109	Roll Pin
36	CR 116801	Pin
37	CR 080573	Lube Fitting
38	CR 115333	Upper LH Link w/Bushing
39	CR 118924	Pin
40	CR 060000-110	Spiral Roll Pin
41	CR 079133	LMS Switch
	CR 078727-004	LMS Switch, Freezer/Corrosion



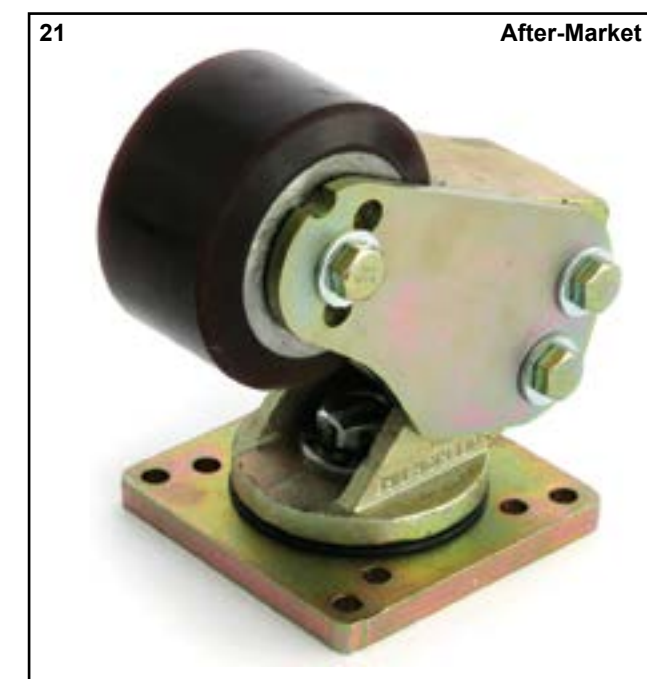
Crown PE 4000, PE 4500 Series Caster - Shim Free



Crown PE 4000, PE 4500 Series Caster - Shim Free

Item	Part No.	Description
1	CR 083179-035	Caster Wheel w/ Shoulder Bearings, 95-A, PE 4000 Series
	CR 083179-050	Caster Wheel w/ Shoulder Bearings, 97-A, PE 4000 Series
	CR 083179-201-A	Caster Wheel w/ Bearings, 95-A, PE 4500 Series
	CR 083179-302-A	Caster Wheel w/ Bearings, 97-A, PE 4500 Series
2	CR 128648-002	Axle
3	CR 060021-028	Nut
4	CR 060089-008	Wedge Washers, (2 Pieces)
5	CR 100779	Lube Fitting
6	CR 065007-030	Bushing
7	CR 107157-001	Pin Hinge, Freezer/Corrosion Resistant
8	CR 060015-003	Screw

Item	Part No.	Description
9	CR 060005-007	Lockwasher
10	CR 082640	Compression Spring
11	CR 082639	Compression Spring
12	CR 082642	Felt Seal
13	CR 065043	Thrust Bearing
14	CR 065044	Bearing Cup
15	CR 065045	Bearing Cone
16	CR 060030-104	Washer
17	CR 060021-058	Nut
18	CR 082641	Hub Cap
19	CR 060038-001	Cotter Pin
20	CR 065081-070	Bearing, Extended Race
21	CR 129929-S001	Caster Assembly, After-Market



Crown PE 4000, PE 4500 Series Caster - Quick Adjustment

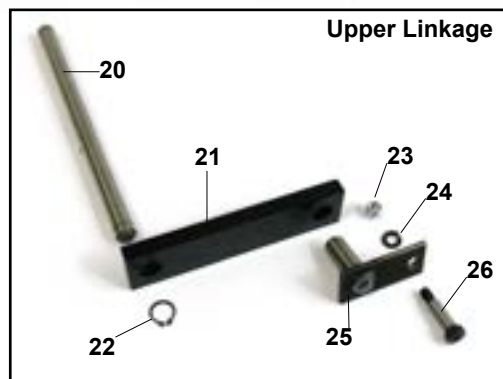
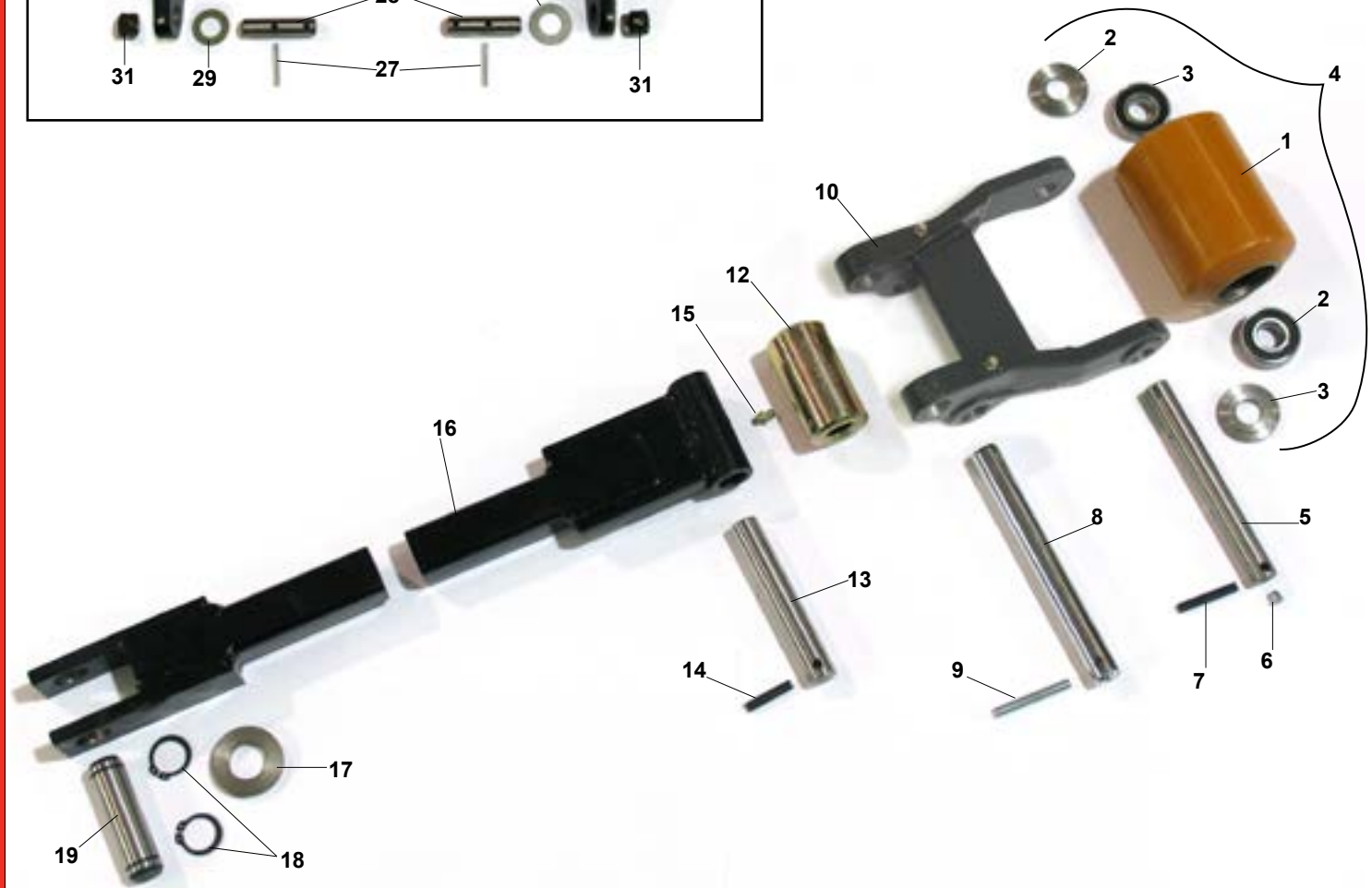
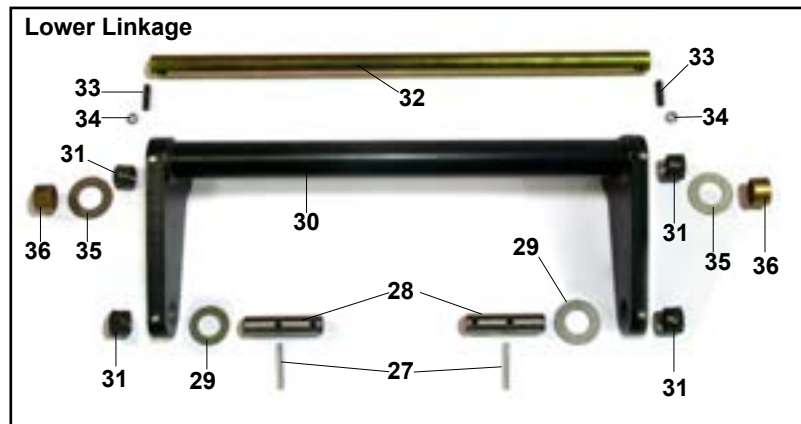


Crown PE 4000, PE 4500 Series Caster - Quick Adjustment

Item	Part No.	Description
1	CR 083179-035	Caster Wheel w/ Shoulder Bearings, High Load, 95-A, PE 4000 Series
	CR 083179-050	Caster Wheel w/ Shoulder Bearings, High Load, 97-A, PE 4000 Series
1	CR 083179-201-A	Caster Wheel w/ Bearings, 95-A, PE 4500 Series
	CR 083179-302-A	Caster Wheel w/ Bearings, 97-A, PE 4500 Series
2	CR 115368	Axle, Freezer/Corrosion Resistant
3	CR 115348	Spring
4	CR 116776	Shaft, without Torsion Bar
5	CR 115372	Shaft, with Torsion Bar (not Shown)
6	CR 060017-021	Screw

Item	Part No.	Description
7	CR 060005-009	Lockwasher
8	CR 115369	Grease Cap
9	CR 107629	Nut
10	CR 060038-001	Cotter Pin
11	CR 060030-227	Flatwasher
12	CR 065069	Cup and Cone Bearing
13	CR 065043	Thrust Bearing
14	CR 082642	Felt Seal
15	CR 115363	Yoke
16	CR 100779	Lube Fitting
17	CR 065081-070	Bearing, Extended Race

Hyster W 40 XL / W 40 XT Load Wheel & Lift Linkage



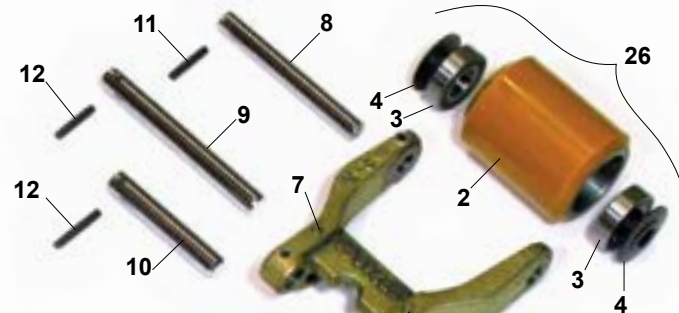
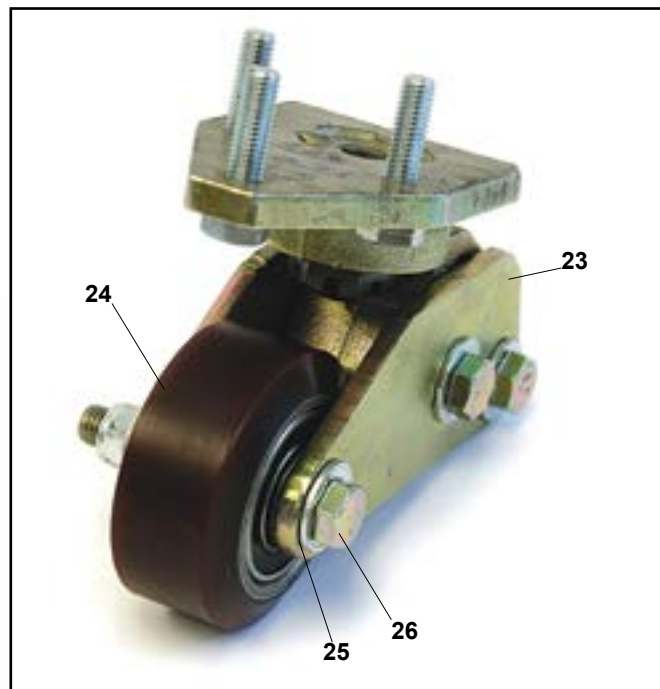
Hyster W 40 XL / W 40 XT Load Wheel & Lift Linkage

Item	Part No.	Description
1	HY 3005911	Poly Load Wheel, 95A Durometer
	HY 3005911-XL	Poly Load Wheel, 97A Durometer
2	HY 124624	Bearing
3	HY 230951	Washer
4	HY 3005911-A	Poly Load Wheel Assembly, 95A Durometer, Includes Bearings & Washers
	HY 3005911-XL-A	Poly Load Wheel Assembly, 97A Durometer, Includes Bearings & Washers
	GWK-W40XT-LW	Poly Wheel Kit 95A, Includes Bearings, Axles & Washers
5	HY 3005736	Load Wheel Axle (Includes Lube Fitting)
6	HY 13957	Lube Fitting
7	HY 2307242	Roll Pin
8	HY 2309397	Pivot Pin
9	HY 2307086	Roll Pin
10	HY 2302730	Riser Assembly, Includes Lube Fitting
11	HY 2302730-A	Complete Riser Assembly, 95A Durometer, Includes Poly Load Wheel, Axles & Roll Pins
	HY 2302730-XL-A	Complete Riser Assembly, 97A Durometer, Includes Poly Load Wheel, Axles & Roll Pins
12	HY 2307475	Steel Roller Assembly

Item	Part No.	Description
13	HY 3006808	Link Pin
14	HY 2307086	Roll Pin
15	HY 16041	Lube Fitting
16	HY 2308822	Push Rod, 48" Fork Length
17	HY 2311881	Spacer
18	HY 248212	Retaining Ring
19	HY 3008398	Pin
20	HY 2304484	Pin
21	HY 2307680	Link
22	HY 58903	Retaining Ring
23	HY 15055	Hex Washer
24	HY 15155	Lockwasher
25	HY 2305824	Pin
26	HY 18497	Hex Bolt
27	HY 19913	Roll Pin
28	HY 2311661	Pin
29	HY 2308877	Shim
30	HY 2305862	Bellcrank, 27" Wide Frame
31	HY 2307600	Bushing
32	HY 2309006	Bellcrank Pin, 27" Wide Frame
33	HY 2309174	Set Screw
34	HY 15001	Nut
35	HY 2311480	Shim
36	HY 2310885	Bushing



Hyster W40Z Load Wheel, Lift Linkage & Caster Assembly



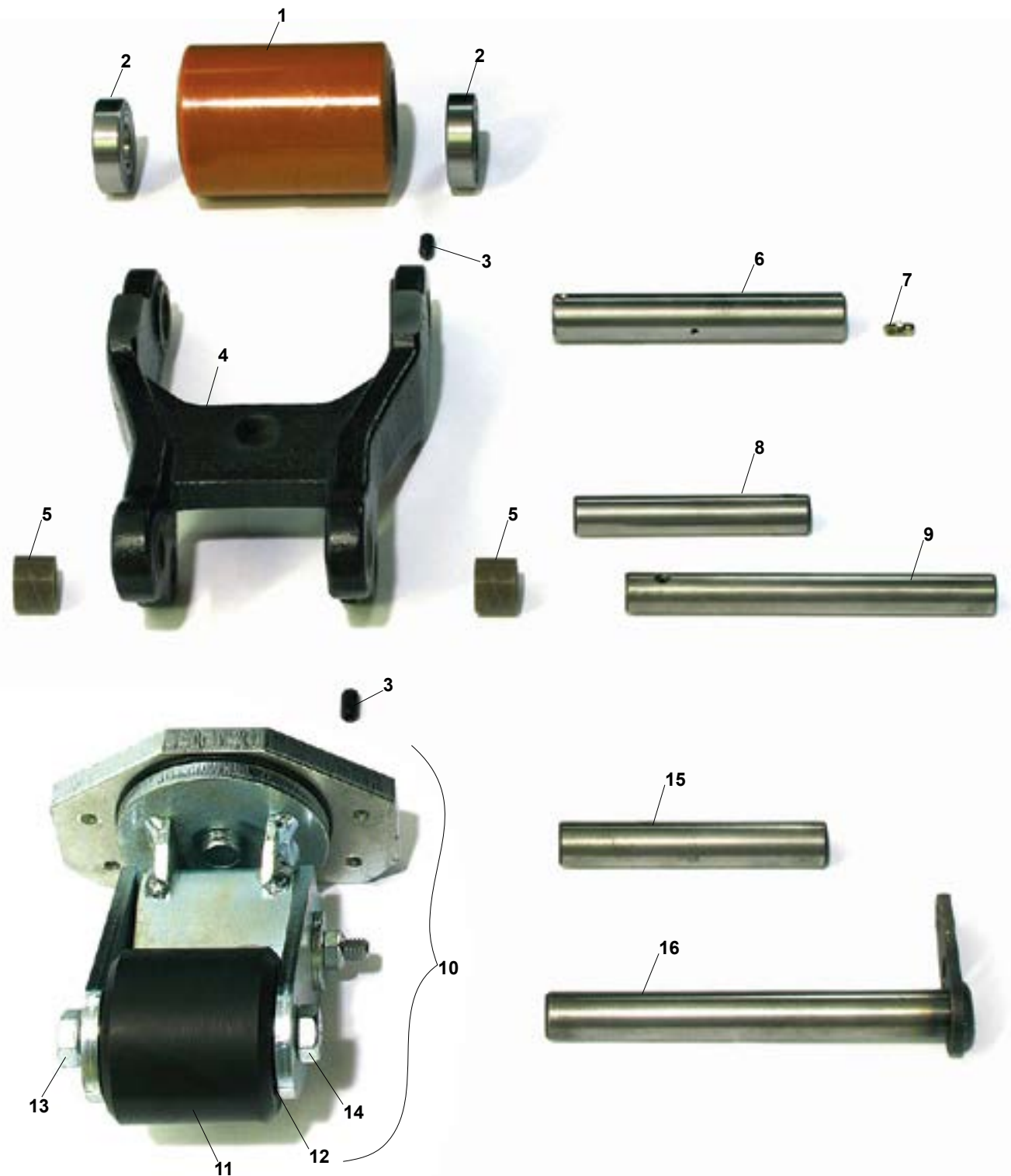
Hyster W40Z Load Wheel, Lift Linkage & Caster Assembly

Item	Part No.	Description
1	HY 2081800	Thru 11/2005, Load Wheel Assy, W/Shielded Bearings & String Guards, 95-A
	HY 2081796	Begin 12/2005, Load Wheel Assy, W/ Sealed Bearings & String Guards, 95-A
	HY 4609399	Begin 12/2005, Load Wheel Assy, W/SS Bearing & String Guards,95-A
	HY 2081800-XL	Thru 11/2005, Load Wheel Assy, W/Shielded Bearings & String Guards, 97-A
	HY 2081796-XL	Begin 12/2005, Load Wheel Assy, W/Sealed Bearings & String Guards, 97-A
	HY 4609399-XL	Begin 12/2005, Load Wheel Assy, W/SS Bearing & String Guards,97-A
2	HY 2046054	Poly Load Wheel, Poly 95-A
	HY 4609400	Poly Load Wheel, Poly 97-A
3	HY 2045989	Wheel Bearing, Rubber Seals
	HY 2046055	Wheel Bearing, Metal Shields
	HY 4609401	Wheel Bearing, Stainless Sealed
4	HY 2046056	Bushing
5	HY 2046053	Thru 11/2005, Riser Bracket
	HY 2081792	Begin 12/2005, Riser Bracket
6	HY 2307475	Steel Exit Roller
7	HY 2045923	Lube Fitting
8	HY 2046057	Load Wheel Axle
	HY 2081802	Load Wheel Axle, Food Processing & Cold Storage
9	HY 2046263	Thru 11/2005, Pivot Pin, Freezer/Corrosion Resistant
	HY 2072210	Begin 12/2005, Pivot Pin, Freezer/Corrosion Resistant

Item	Part No.	Description
10	HY 2046264	Thru 11/2005, Pivot Pin, Freezer/Corrosion Resistant
	HY 2072211	Begin 12/2005, Pivot Pin, Freezer/Corrosion Resistant
11	HY 2046059	Spiral Pin
12	HY 2050087	Spiral Pin
13	HY 2040833	Lube Fitting
14	HY 2085540	Push Rod, 48" Fork Length
15	HY 2072208	Pivot Pin, Freezer/Corrosion Resistant
16	HY 2072207	Pivot Pin, Freezer/Corrosion Resistant
17	HY 2050088	Spiral Pin
18	HY 2039225	Bushing
19	HY 2050085	Lower Rear Link, Right Hand Side
20	HY 2050086	Lower Rear Link, Left Side
21	HY 2043251	Complete Riser Assy w/ Load Wheel Assy, 95-A
	HY 2043251-XL	Complete Riser Assy w/ Load Wheel Assy, 97-A
	HY 4018767	Complete Riser Assy w/ Load Wheel Assy, 95-A Stainless Bearings
22	HY 800127595	Poly Load Wheel & Axle Assy, 95-A
	HY 800127595-XL	Poly Load Wheel & Axle Assy, 97-A
23	HY 2044852	Caster Assembly, After-Market Replacement
24	HY 2046840	Caster Wheel Assembly, 95-A, Incl Bearings
	HY 2046840-XL	Caster Wheel Assembly, 97-A, Incl Bearings
25	HY 2046842	Bushing
26	HY 2046768	Axle, Bolt & Nut



Prime Mover SMX45 Walkie Load Wheel & Caster Assembly



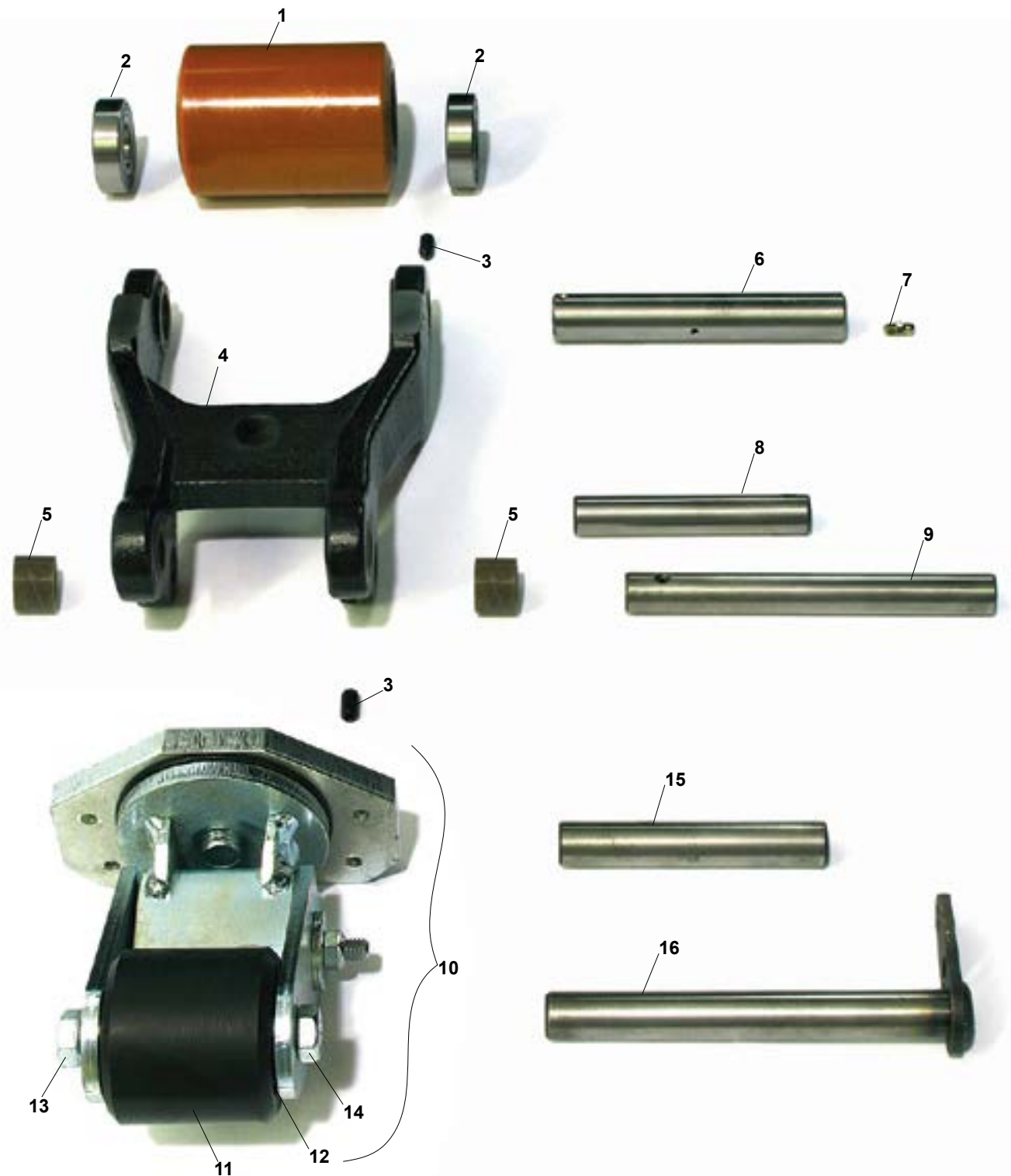
Prime Mover SMX45 Walkie Load Wheel & Caster Assembly

Item	Part No.	Description
1	PR 312636-000	Poly Load Wheel, 95A Durometer
	PR 312636-000-A	Poly Load Wheel Assembly, 95A Durometer, Includes Bearings
	PR 312636-000-XL	Poly Load Wheel, 97A Durometer
	PR 312636-000-XL-A	Poly Load Wheel Assembly, 97A Durometer, Includes Bearings
2	PR 49910-05	Bearing
3	PR 301740-003	Set Screw
4	PR 312638-000	Wheel Fork, Includes Bushings
5	PR 312672-000	Bushing
6	PR 4312650-000	Load Wheel Axle
	PR 313185-000	Load Wheel Axle, Freezer/Corrosion Resistant
7	PR 311390-000	Grease Fitting
8	PR 312651-001	Pin
	PR 312651-004	Pin, Freezer/Corrosion Resistant

Item	Part No.	Description
9	PR 312651-000	Pivot Pin
	PR 312651-003	Pivot Pin, Freezer/Corrosion Resistant
10	PR 313729-001	Caster Assembly, Includes Items 12-15
11	PR 313945-000	Poly Caster Wheel, Includes Bearings, 95A Durometer
	PR 313945-000-XL	Poly Caster Wheel, Includes Bearings, 97A Durometer
12	PR 313958-000	Bearing
13	PR 313948-000	Axle Bolt
14	PR 313947-000	Nut
15	PR 312651-002	Pin
	PR 312651-005	Pin, Freezer/Corrosion Resistant
16	PR 312666-000	Pin, Weldment
	PR 312666-001	Pin, Weldment, Freezer/Corrosion Resistant
17	GWK-SMX45-LW	Load Wheel Kit



Raymond 102XM Walkie Load Wheel & Caster Assembly



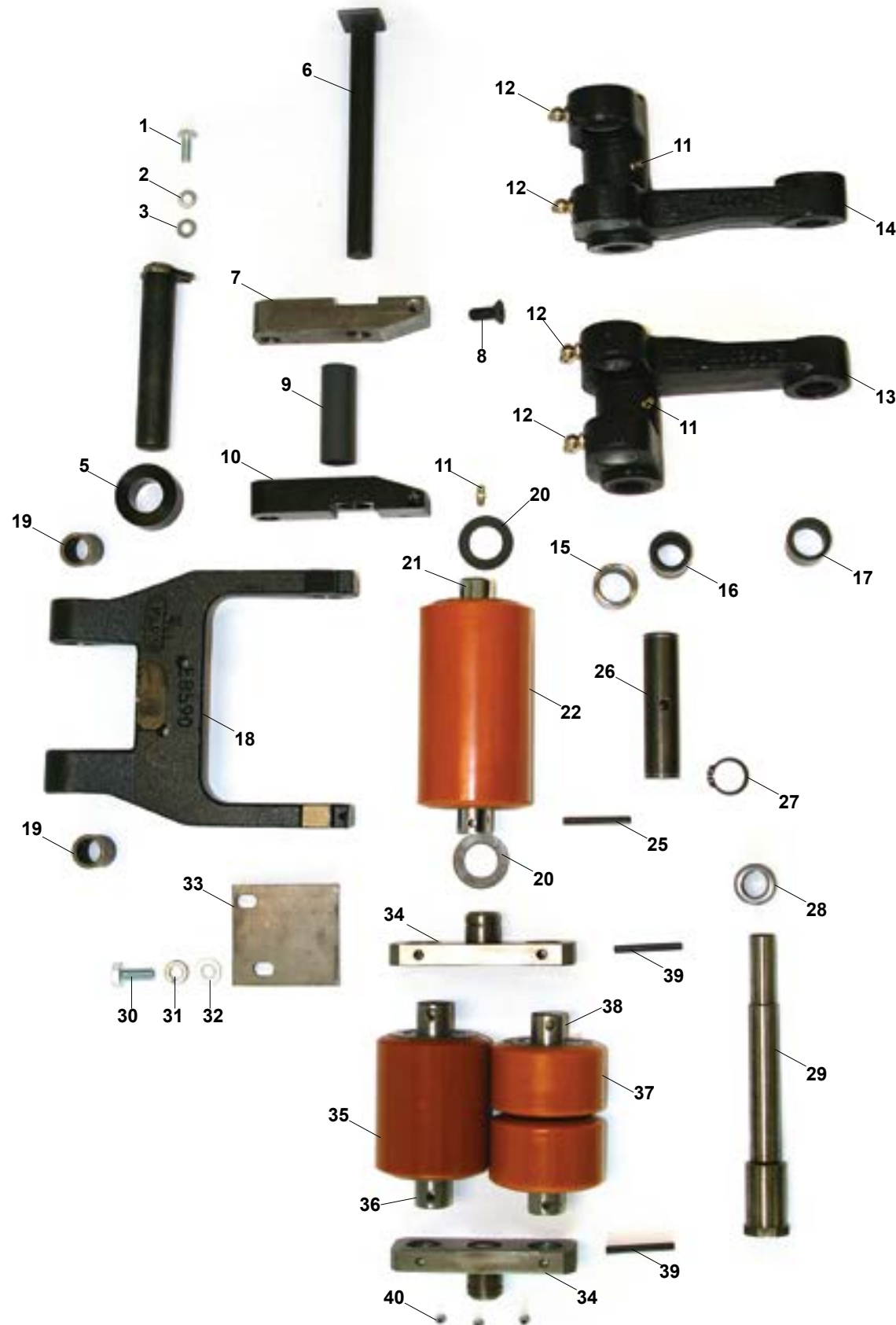
Raymond 102XM Walkie Load Wheel & Caster Assembly

Item	Part No.	Description
1	RA 939-353-047	Poly Load Wheel, 95A Durometer
	RA 939-353-047-A	Poly Load Wheel Assembly, 95A Durometer, Includes Bearings
	RA 939-353-047-XL	Poly Load Wheel, 97A Durometer
	RA 939-353-047-XL-A	Poly Load Wheel Assembly, 97A Durometer, Includes Bearings
2	RA 441-127	Bearing
3	RA 939-352-258	Set Screw
4	RA 939-352-256	Wheel Fork
5	RA 939-353-060	Bushing
6	RA 939-353-050	Load Wheel Axle
	RA 939-353-127	Load Wheel Axle, Freezer/Corrosion Resistant
7	RA 939-353-043	Grease Fitting
8	RA 939-353-052	Pin
	RA 939-353-055	Pin, Freezer/Corrosion Resistant

Item	Part No.	Description
9	RA 939-353-051	Pivot Pin
	RA 939-352-054	Pivot Pin, Freezer/Corrosion Resistant
10	RA 939-352-259	Caster Assembly, Includes Items 11-14
11	RA 939-353-251	Poly Caster Wheel, 95A Durometer, Includes Bearings
	RA 939-353-251-XL	Poly Caster Wheel, 97A Durometer, Includes Bearings
12	RA 939-353-264	Bearing
13	RA 939-353-254	Axle Screw
14	RA 939-353-253	Nut
15	RA 939-353-053	Pin
	RA 939-353-056	Pin, Freezer/Corrosion Resistant
16	RA 939-353-057	Pin, Weldment
	RA 939-353-058	Pin, Weldment, Freezer/Corrosion Resistant
17	GWK-102XM-LW	Load Wheel Kit



Raymond 8300, 8400, 8500 Series Frame and Undercarriage



Raymond 8300, 8400, 8500 Series Frame and Undercarriage

Item	Part No.	Description
1	RA 5-001-008	Screw
2	RA 5-018-006	Flat Washer
3	RA 5-019-006	Lock Washer
4	RA 1026383	Front Shaft Weldment
5	RA 360-067-004	Roller
6	RA 1026637	Pivot Shaft (6,000 LBS Cap.)
	RA 1026379	Pivot Shaft (8,000 LBS Cap.)
7	RA 1026378-001	Pivot Block (6,000 lbs. Cap.), Left Side
	RA 1026378-002	Pivot Block (8,000 lbs. Cap.), Left Side
8	RA 714-145	Screw
9	RA 1045247-001	Spacer, Tube (6,000 lbs. Cap.)
	RA 1045246-001	Spacer, Tube (8,000 lbs. Cap.)
10	RA 1026377-001	Pivot Block (6,000 lbs. Cap), Right Side
	RA 1026377-002	Pivot Block (8,000 lbs. Cap), Right Side
11	RA 840-033	Grease Fitting
12	RA 840-018	Grease Fitting
13	RA 1023731	Bell Crank Subassembly (6,000 lbs. Cap), Right Side
	RA 1023733	Bell Crank Subassembly (8,000 lbs. Cap), Right Side
14	RA 1023730	Bell Crank Subassembly (6,000 lbs. Cap), Left Side
	RA 1023732	Bell Crank Subassembly (8,000 lbs. Cap), Left Side
15	RA 780-330-001	Bushing (6,000 lbs. Cap)
	RA 780-330-002	Bushing (8,000 lbs. Cap)
16	RA 1025349-006	Bushing (6,000 & 8,000 lbs Cap)
17	RA 1025349-003	Bushing (6,000 lbs. Cap)
	RA 1025349-001	Bushing (8,000 lbs. Cap)
18	RA 1025351-002	Fork Riser (6000 lbs Cap.)
	RA 1025353-002	Fork Riser (8000 lbs Cap.)
19	RA 1025348-007	Bushing (6,000 lbs. Cap.)
	RA 1025349-007	Bushing (8,000 lbs. Cap.)
20	RA 771-033	Flat Washer
21	RA 850-135-634	Load Wheel Axle (Single)
22	RA 632-069	Poly Load Wheel, 95A Durometer
	RA 632-069-A	Poly Load Wheel Assembly, 95A Durometer, Includes Bearings (Single)
	RA 632-069-XL	Poly Load Wheel, 97A Durometer
	RA 632-069-XL-A	Poly Load Wheel Assembly, 97A Durometer, Includes Bearings (Single)

Item	Part No.	Description
23	RA 441-015	Bearing Non-Shielded (inside LW's)
24	RA 441-127	Bearing Shielded (inside LW's)
25	RA 810-747	Spiral Pin
26	RA 1050893-001	Rear Link Shaft (6,000 lbs. Cap.)
	RA 1050893-002	Rear Link Shaft (8,000 lbs. Cap.)
27	RA 810-132	Snap Ring
28	RA 1044706	Sleeve, Eccentric Pin (6,000 lbs.Cap.)
	RA 850-139-277	Sleeve, Eccentric Pin (8,000 lbs.Cap.)
29	RA 1044707	Eccentric Pin (6,000 lbs. Cap.)
	RA 1044708	Eccentric Pin (8,000 lbs. Cap.)
30	RA 5-001-016	Screw
31	RA 5-019-007	Lock Washer
32	RA 5-018-007	Flat Washer
33	RA 850-138-802	Debris Guard
34	RA 1016119	Pivot Weldment (Tandem and Tandem Split)
35	RA 632-071	Poly Load Wheel (Tandem), 95A Durometer
	RA 632-071-A	Poly Load Wheel Assembly, Includes Bearings (Tandem), 95A Durometer
	RA 632-071-XL	Poly Load Wheel (Tandem), 97A Durometer
	RA 632-071-XL-A	Poly Load Wheel Assembly, Includes Bearings (Tandem), 97A Durometer
36	RA 850-137-070	Load Wheel Axle (Tandem)
37	RA 632-076	Poly Load Wheel (Tandem Split), 95A Durometer
	RA 632-076-A	Poly Load Wheel Assembly, Includes Bearings (Tandem Split), 95A Durometer
	RA 632-076-XL	Poly Load Wheel (Tandem Split), 97A Durometer
	RA 632-076-XL-A	Poly Load Wheel Assembly, Includes Bearings (Tandem Split), 97A Durometer
38	RA 850-137-285	Load Wheel Axle (Tandem Split)
39	RA 810-762	Spiral Pin
40	RA 841-111	Grease Fitting

Raymond 8300, 8400, 8500 Series Caster With Springs

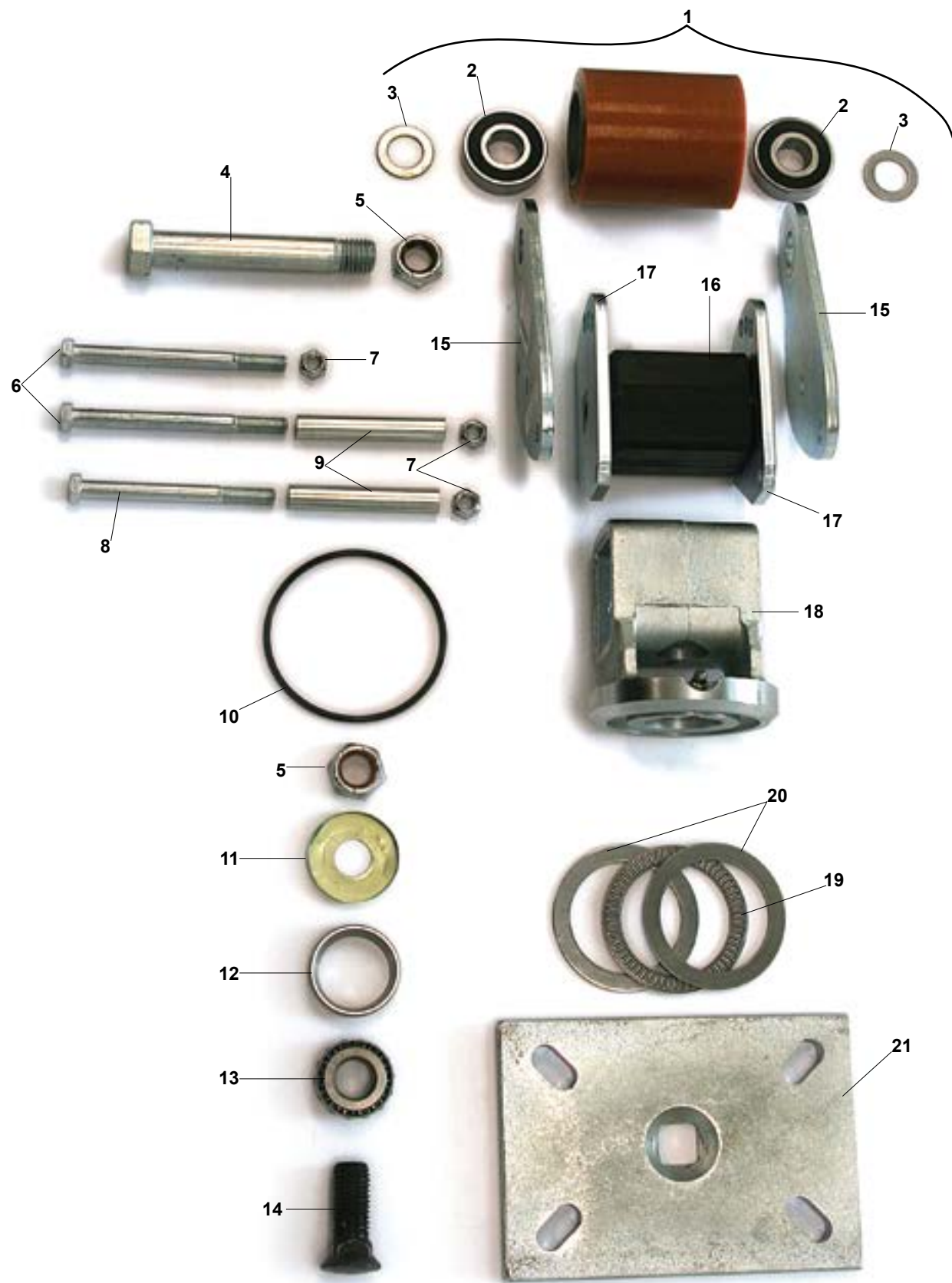


Raymond 8300, 8400, 8500 Series Caster With Springs

Item	Part No.	Description
	RA 671-012-001	Caster Assembly W/ Springs, Includes All Parts Listed (95A Durometer)
1	RA 632-421/CR7	Poly Caster Wheel Assembly, 95A Durometer, Includes Bearings and Washers
	RA 632-421/CR7-XL	Poly Caster Wheel Assembly, 97A Durometer, Includes Bearings and Washers
2	RA 441-127	Bearing
3	RA 671-015-19	Washer
4	RA 671-015-16	Axle
	RA 671-015-17	Axle, Freezer/Corrosion Resistant
5	RA 671-012-22	Grease Fitting
6	RA 671-015-18	Roll Pin
7	RA 671-012-17	Hinge Pin
	RA 671-015-15	Hinge Pin, Freezer/Corrosion Resistant
8	RA 671-012-06	Washer

Item	Part No.	Description
9	RA 671-015-12	Shroud Assembly
10	RA 671-012-04	Thrust Bearing
11	RA 671-012-03	Felt Seal
12	RA 671-012-02	Yoke Weldment
13	RA 671-015-101	Plate Assembly, Includes Items 10, 11, 13-19
14	RA 671-012-07	Bearing Cup
15	RA 671-012-08	Bearing Cone
16	RA 671-015-05	Washer
17	RA 671-015-06	Nut
18	RA 671-015-07	Roll Pin
19	RA 671-015-08	Hub Cap
20	RA 671-012-05	Screw & Washer
21	RA 671-012-13	Spring, Outer
22	RA 671-012-12	Spring, Inner
23	RA 671-015-11	Spring Locator

Raymond 8300, 8400, 8500 Series Caster Without Springs

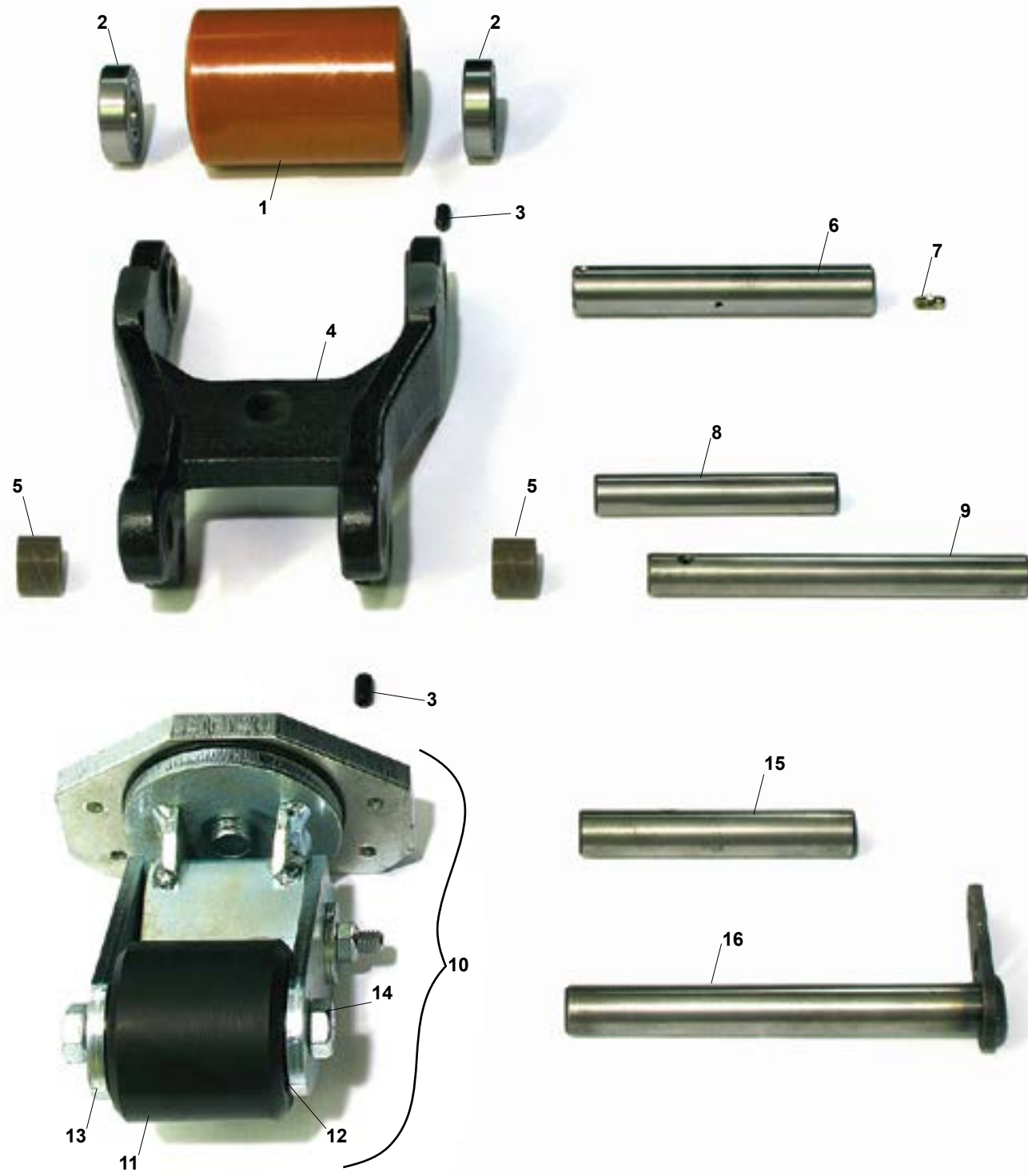


Raymond 8300, 8400, 8500 Series Caster Without Springs

Item	Part No.	Description
	RA 1017847	Caster Assembly, Springless, 95A Durometer, Includes All Parts Listed
1	RA 671-041	Poly Caster Wheel Assembly, 95A Durometer, Includes Bearings and Washers
	RA 671-041-XL	Poly Caster Wheel Assembly, 97A Durometer, Includes Bearings and Washers
2	RA 671-041-08	Bearing
3	RA 671-041-09	Washer
4	RA 671-041-18	Wheel Bolt
5	RA 671-041-16	Axle Nut
6	RA 671-041-19	Bolt
7	RA 671-041-21	Lock Nut
8	RA 671-042-22	Bolt

Item	Part No.	Description
9	RA 671-041-06	Axle Tube
10	RA 671-041-12	O-Ring
11	RA 671-041-15	Bearing Shield
12	RA 671-041-13	Bearing Cup
13	RA 671-041-14	Bearing Cone
14	RA 671-041-17	King Pin
15	RA 671-041-05	Mounting Arm
16	RA 671-041-03	Torsion Block
17	RA 671-042-04	Adjusting Plate
18	RA 101847-01	Housing
19	RA 671-041-11	Thrust Bearing
20	RA 671-041-10	Thrust Washer
21	RA 671-041-02	Base Plate

Toyota 7HBW23 Walkie Frame and Undercarriage

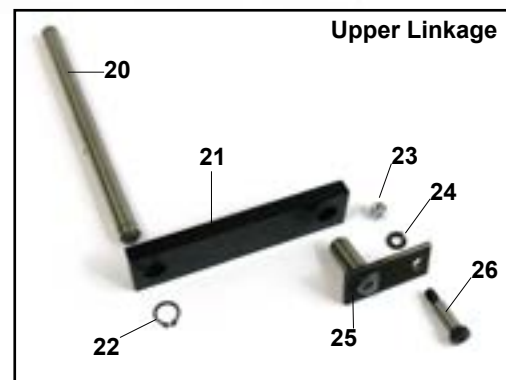
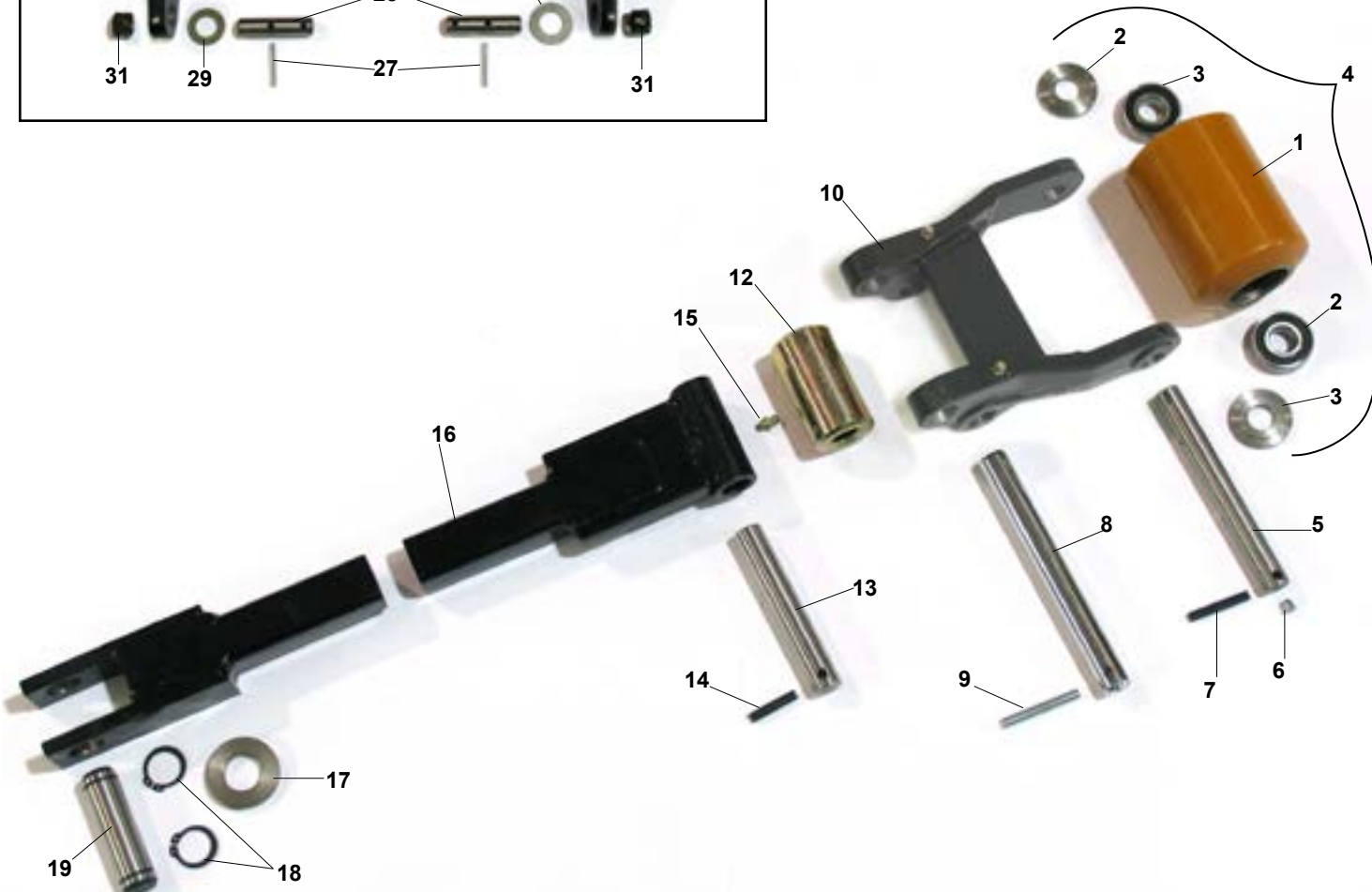
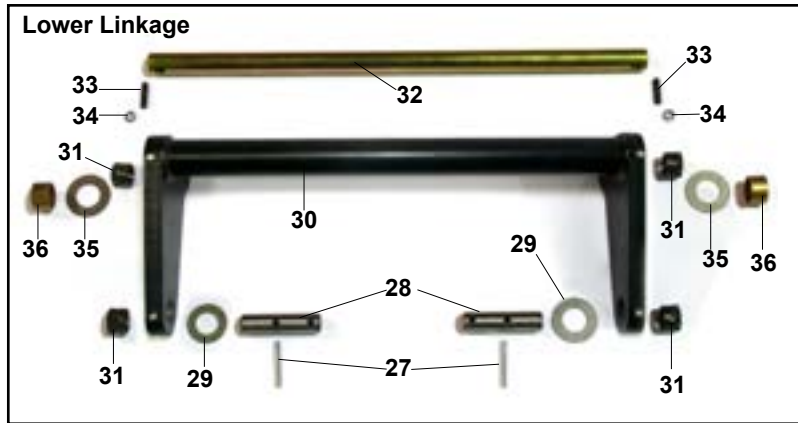


Toyota 7HBW23 Walkie Frame and Undercarriage

Item	Part No.	Description
1	TO 00590-47623-71	Poly Load Wheel, 95A Durometer
	TO 00590-47623-71-A	Poly Load Wheel Assembly, 95A Durometer, Includes Bearings
	TO 00590-47623-71-XL	Poly Load Wheel, 97A Durometer
	TO 00590-47623-71-XL-A	Poly Load Wheel Assembly, 97A Durometer, Includes Bearings
2	TO 00590-43299-71	Bearing
3	TO 00590-43271-71	Set Screw
4	TO 00590-43543-71	Wheel Fork
5	TO 00590-43276-21	Bushing
6	TO 00590-43547-71	Load Wheel Axle
	TO 00590-43548-71	Load Wheel Axle, Freezer/Corrosion Resistant (Greaseable)
7	TO 00590-00019-71	Grease Fitting
8	TO 00590-43274-71	Pin
	TO 00590-43275-71	Pin, Freezer/Corrosion Resistant

Item	Part No.	Description
9	TO 00590-43326-71	Pivot Pin
	TO 00590-43325-71	Pivot Pin, Freezer/Corrosion Resistant
10	TO 00590-43303-71	Caster Assembly, Includes Items 11-14
11	TO 00590-43318-71	Poly Caster Wheel Assembly, 95A Durometer, Includes Bearings
	TO 00590-43318-71-XL	Poly Caster Wheel Assembly, 97A Durometer, Includes Bearings
12	TO 00590-43317-71	Bearing
13	TO 00590-43319-71	Axle Screw
14	TO 00590-43315-71	Nut
15	TO 00590-43358-71	Pin
	TO 00590-43357-71	Pin, Freezer/Corrosion Resistant
16	TO 00590-43332-71	Pin
	TO 00590-43342-71	Pin, Freezer/Corrosion Resistant

Yale MP/MPB 040 AC Load Wheel and Lift Linkage



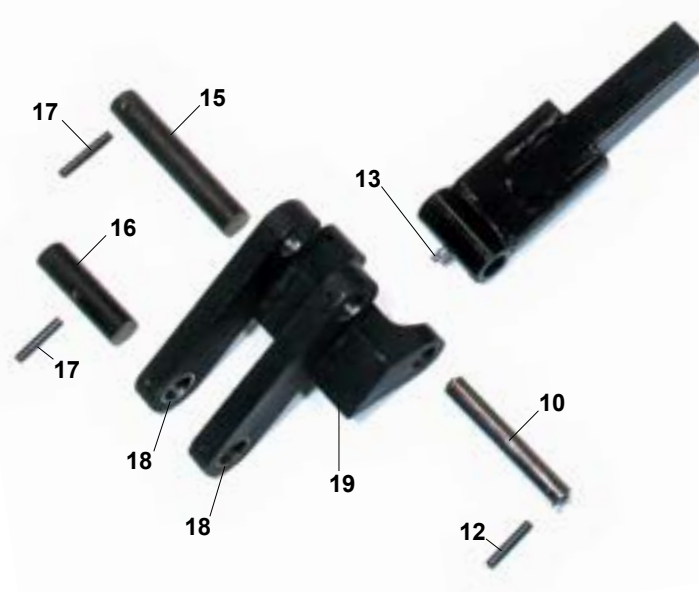
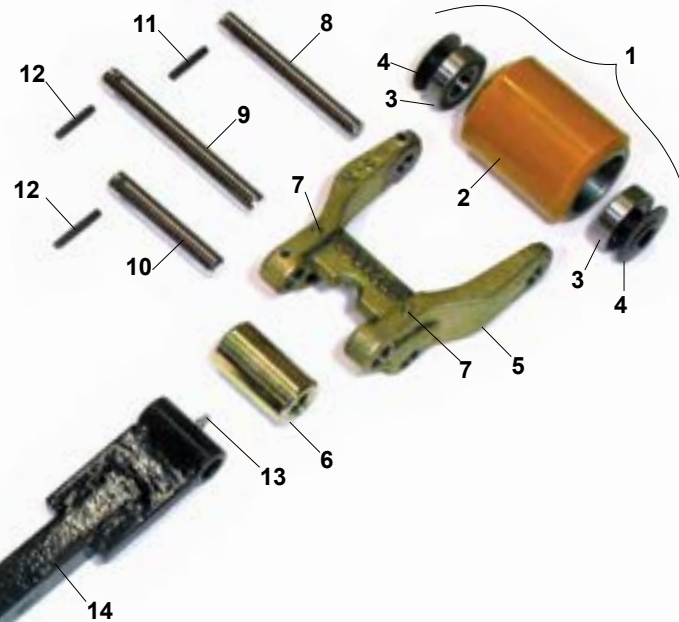
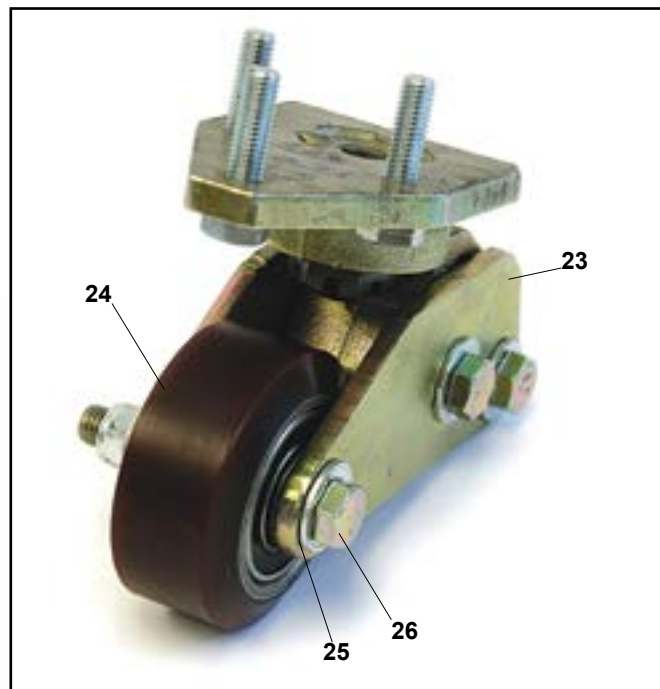
Yale MP/MPB 040 AC Load Wheel and Lift Linkage

Item	Part No.	Description
1	YL 065269600	Poly Load Wheel, 95A Durometer
	YL 065269600-XL	Poly Load Wheel, 97A Durometer
2	YL 064948400	Bearing
3	YL 065055200	Washer
4	YL 065269600-A	Poly Load Wheel Assembly, Includes Bearings & Washers, 95A Durometer
	YL 065269600-XL-A	Poly Load Wheel Assembly, Includes Bearings & Washers, 97A Durometer
5	YL 640374100	Load Wheel Axle, Includes Lube Fitting
6	YL 507167800	Lube Fitting
7	YL 023025000	Roll Pin
8	YL 504734200	Pivot Pin
9	YL 055929200	Roll Pin
10	YL 643182400	Riser Assembly, Includes Lube Fitting
11	YL 643182400-A	Complete Riser Assembly, 95A Durometer, Includes Poly Load Wheel, Axles & Roll Pins
	YL 643182400-XL-A	Complete Riser Assembly, 97A Durometer, Includes Poly Load Wheel, Axles & Roll Pins
12	YL 751791300	Steel Roller Assembly
13	YL 064857200	Link Pin
14	YL 055929200	Roll Pin
15	YL 015631500	Lube Fitting

Item	Part No.	Description
16	YL 502447503	Push Rod, 48" Fork Length
17	YL 751776300	Spacer
18	YL 500227905	Retaining Ring
19	YL 641786101	Pin, Push Rod
20	YL 502303101	Pin
21	YL 500989200	Link
22	YL 15918200	Retaining Ring
23	YL 14936600	Hex Washer
24	YL 15026200	Lockwasher
25	YL 640697303	Pin
26	YL 62143700	Hex Bolt
27	YL 023024200	Roll Pin
28	YL 503688200	Pin
29	YL 502423914	Shim
30	YL 518353601	Bellcrank, 27" Wide Fork
31	YL 640434100	Bushing
32	YL 518360601	Bellcrank Pin, 27" Wide Fork
33	YL 014805000	Set Screw
34	YL 014970800	Nut
35	YL 016117600	Shim
36	YL 723660100	Bushing
37	GWK-MPB040AC-LW	Electric Load Wheel Kit



Yale MPB 040 E (B827) Frame & Undercarriage Load Wheel & Lift Linkage



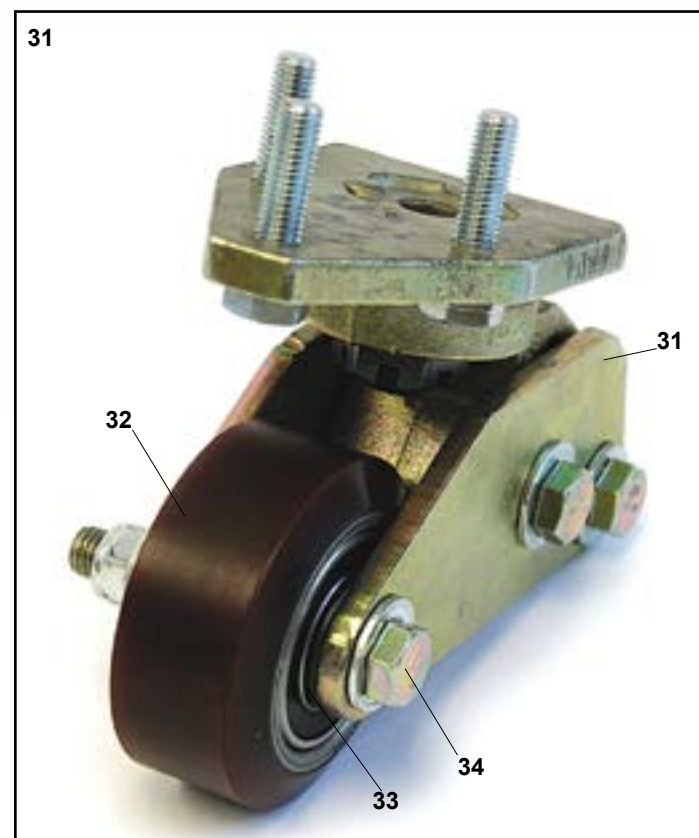
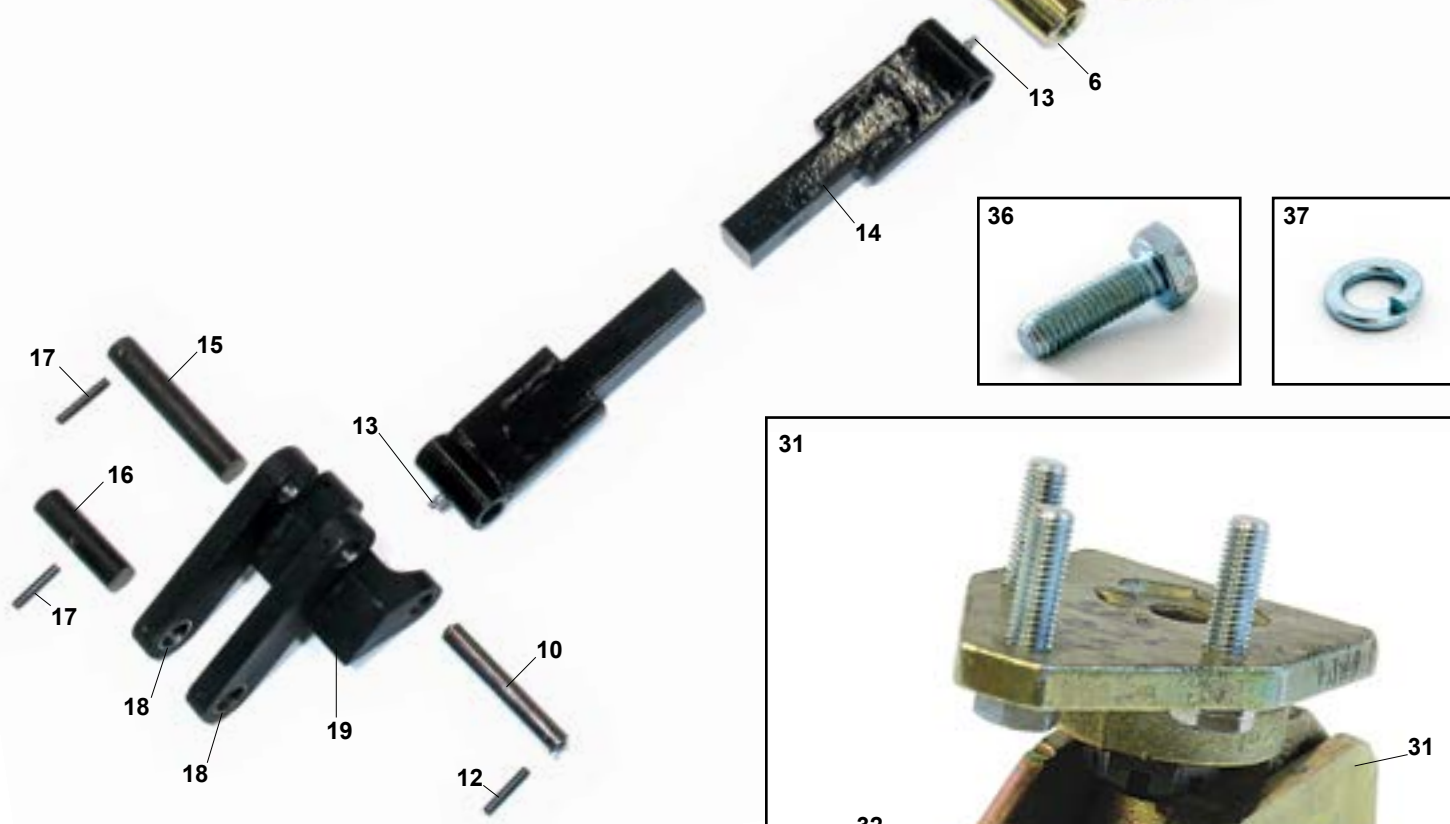
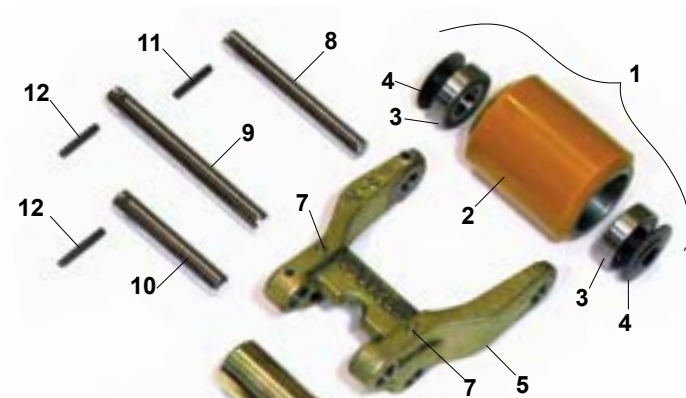
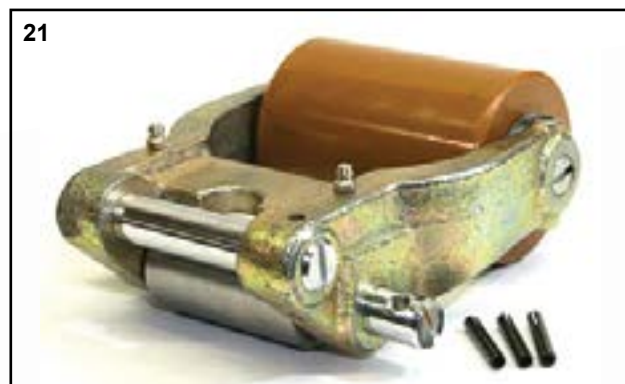
Yale MPB 040 E (B827) Frame & Undercarriage Load Wheel & Lift Linkage

Item	Part No.	Description
1	YL 524148750-A1	Poly Load Wheel Assembly, 95A Durometer, Extended Race Bearings, Incl. Bushings
	YL 524148750-A1-XL-A	Poly Load Wheel Assembly, 97A Durometer, Extended Race Bearings, Incl. Bushings
2	YL 524148750	Poly Load Wheel, 95A Durometer, Includes Bearings
	YL 524148750-XL	Poly Load Wheel, 97A Durometer, Includes Bearings
3	YL 524148751	Bearing
4	YL 524148752	Bushing
5	YL 524148749	Riser
6	YL 751791300	Exit Roller
7	YL 524148462	Grease Fitting
8	YL 524148753	Load Wheel Axle, Freezer/Corrosion Resistant
9	YL 585096306	Pivot Pin, Freezer/Corrosion Resistant
10	YL 585096307	Pivot Pin, Freezer/Corrosion Resistant
11	YL 524148755	Spiral Pin
12	YL 585096802	Spiral Pin
13	YL 953700901	Grease Fitting
14	YL 585094505	Push Rod, 48" Fork Length
15	YL 585096303	Pivot Pin
16	YL 585096302	Pivot Pin

Item	Part No.	Description
17	YL 585096801	Spiral Pin
18	YL 640434100	Bushing
19	YL 524144864	Lower Rear Link, Right Side
20	YL 524144865	Lower Rear Link - Not Shown, Left Side
21	YL 524143966	Complete Riser Assembly, 95A Durometer, Includes Items 1-12
	YL 524143966-XL-A	Complete Riser Assembly, 97A Durometer, Includes Items 1-12
22	YL 150118854	Poly Load Wheel & Axle Assembly, 95A Durometer, Includes Bearings, Axle & Roll Pin
	YL 150118854-XL-A	Poly Load Wheel & Axle Assembly, 97A Durometer, Includes Bearings, Axle & Roll Pin
23	YL 580023164	Caster Assembly
24	YL 524149213	Poly Caster Wheel Assembly, 95A Durometer, Includes Bearings
	YL 524149213-XL-A	Poly Caster Wheel Assembly, 97A Durometer, Includes Bearings
25	YL 524149643	Bushing
26	YL 524149495	Axle, Bolt and Nut
27	GWK-MPB040E-LW	Electric Load Wheel Kit



Yale MPW 050 E (C802) Undercarriage, Load Wheel & Lift Linkage



Yale MPW 050 E (C802) Undercarriage, Load Wheel & Lift Linkage

Item	Part No.	Description
1	YL 524250486	Load Wheel Assembly, W/ Shielded Bearings & String Guards, 95-A
	YL 524250482	Load Wheel Assembly, W/ Sealed Bearings & String Guards, 95-A
	YL 582010234	Load Wheel Assembly, W/ SS Bearing & String Guards, 95-A
	YL 524250486-XL	Load Wheel Assembly, W/ Shielded Bearings & String Guards, 97-A
	YL 524250482-XL	Load Wheel Assembly, W/ Sealed Bearings & String Guards, 95-A
	YL 582010234-XL	Load Wheel Assembly, W/ SS Bearing & String Guards, 97-A
2	YL 524148750	Poly Load Wheel, 95-A
	YL 524148750-XL	Poly Load Wheel, 97-A
3	YL 524148751	Wheel Bearing, Shielded
	YL 524148567	Wheel Bearing, Sealed
	YL 550023493	Wheel Bearing, Sealed Stainless
4	YL 524148752	Bushing
5	YL 524250478	Riser Bracket
6	YL 751791300	Steel Exit Roller
7	YL 524250487	Lube Fitting
8	YL 524148753	Load Wheel Axle, Standard & Cold Storage
	YL 524250488	Load Wheel Axle, Food Processing
9	YL 524221066	Pivot Pin, Freezer/Corrosion Resistant
10	YL 524221067	Pivot Pin, Freezer/Corrosion Resistant
11	YL 524148755	Spiral Pin
12	YL 585096802	Spiral Pin
13	YL 524148754	Lube Fitting
14	YL 524238763	Push Rod, 48" Fork Length X 27" Spread
15	YL 524221064	Pivot Pin
16	YL 524221063	Pivot Pin
17	YL 585096801	Spiral Pin
18	YL 524140879	Bushing

Item	Part No.	Description
19	YL 524144864	Lower Rear Link, RH
20	YL 524144865	Lower Rear Link, LH
21	YL 524328746	Complete Riser Assembly W/ Load Wheel Assembly, 95-A
	YL 582007339	Complete Riser Assembly W/ Load Wheel Assembly SS BRGS, 95-A
	YL 524328746-XL	Complete Riser Assembly W/ Load Wheel Assembly, 97-A
	YL 582007339-XL	Complete Riser Assembly W/ Load Wheel Assembly SS BRGS, 97-A
22	YL 150118854	Poly Load Wheel & Axle Assembly, 95-A, Includes Bearings, Axle & Roll Pin
	YL 150118854-XL	Poly Load Wheel & Axle Assembly, 97-A, Includes Bearings, Axle & Roll Pin
23	YL 524144397	Link, Not Shown
24	YL 953700901	Grease Fitting, Not Shown
25	YL 449001134	Cap Screw, Not Shown
26	YL 449022016	Lock Washer, Not Shown
27	YL 449015014	Nut, Not Shown
28	YL 524221065	Pin, Not Shown
29	YL 585096801	Pin, Not Shown
30	YL 524148922	Pin Weldment, Not Shown
31	YL 580023164	Caster Assembly, After-Market Replacement
32	YL 524149213	Caster Wheel Assembly, 95-A, Incl Bearings
	YL 524149213-XL	Caster Wheel Assembly, 97-A, Incl Bearings
33	YL 524149643	Bushing
34	YL 524149495	Axle, Bolt & Nut
35	YL 524149414	Stabilizer
	YL 524205967	Stabilizer
36	YL 449001015	Capscrew, Not Shown
37	YL 449022013	Lockwasher, Not Shown
38	YL 524207577	Plate, Not Shown

